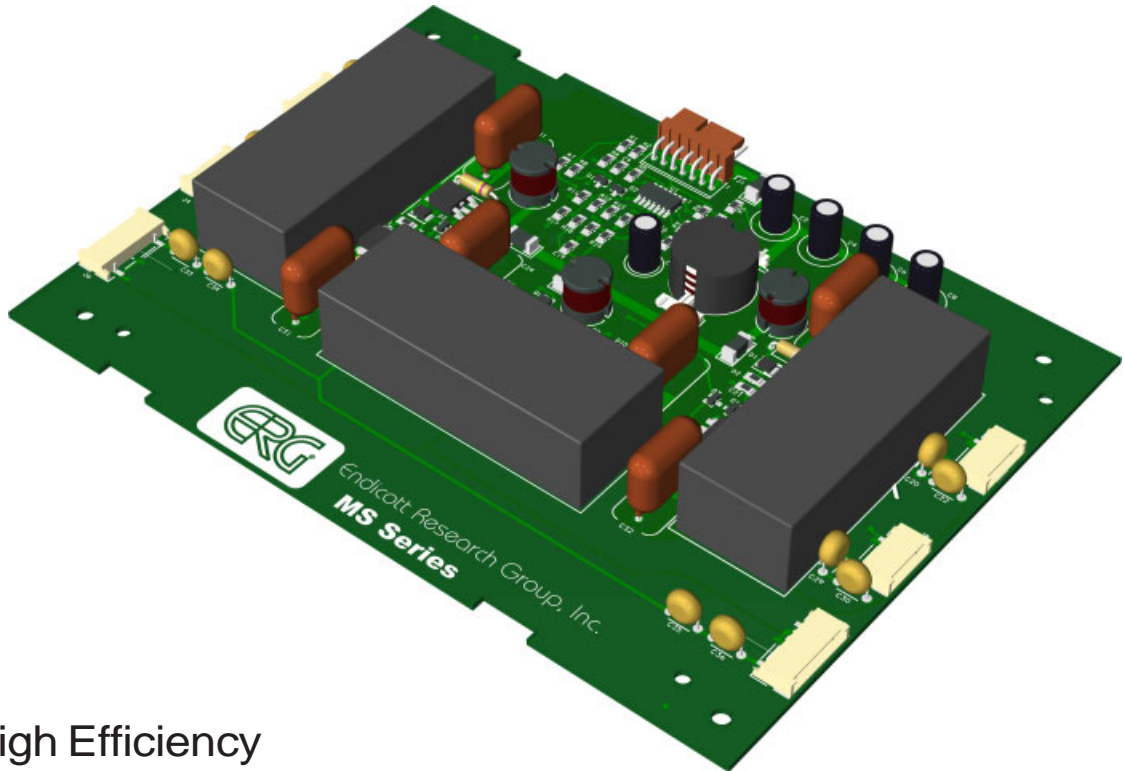


MS Series



Integrated Solution for Large Six Lamp LCD Modules



- High Efficiency
- Up to 45 Watts of Output Power
- Integrated PWM Dimming with Analog Control
- Low Cost Solution for 20" and Larger Displays
- Fully Encapsulated Transformers for Increased Reliability
- Multi-Transformer Design Ensures Reliable Lamp Ignition
- Custom Designs Available
- Designed, Manufactured and Supported in the USA
- One Year Warranty



Endicott Research Group, Inc.

2601 Wayne St., Endicott, NY 13760

607-754-9187 Fax 607-754-9255

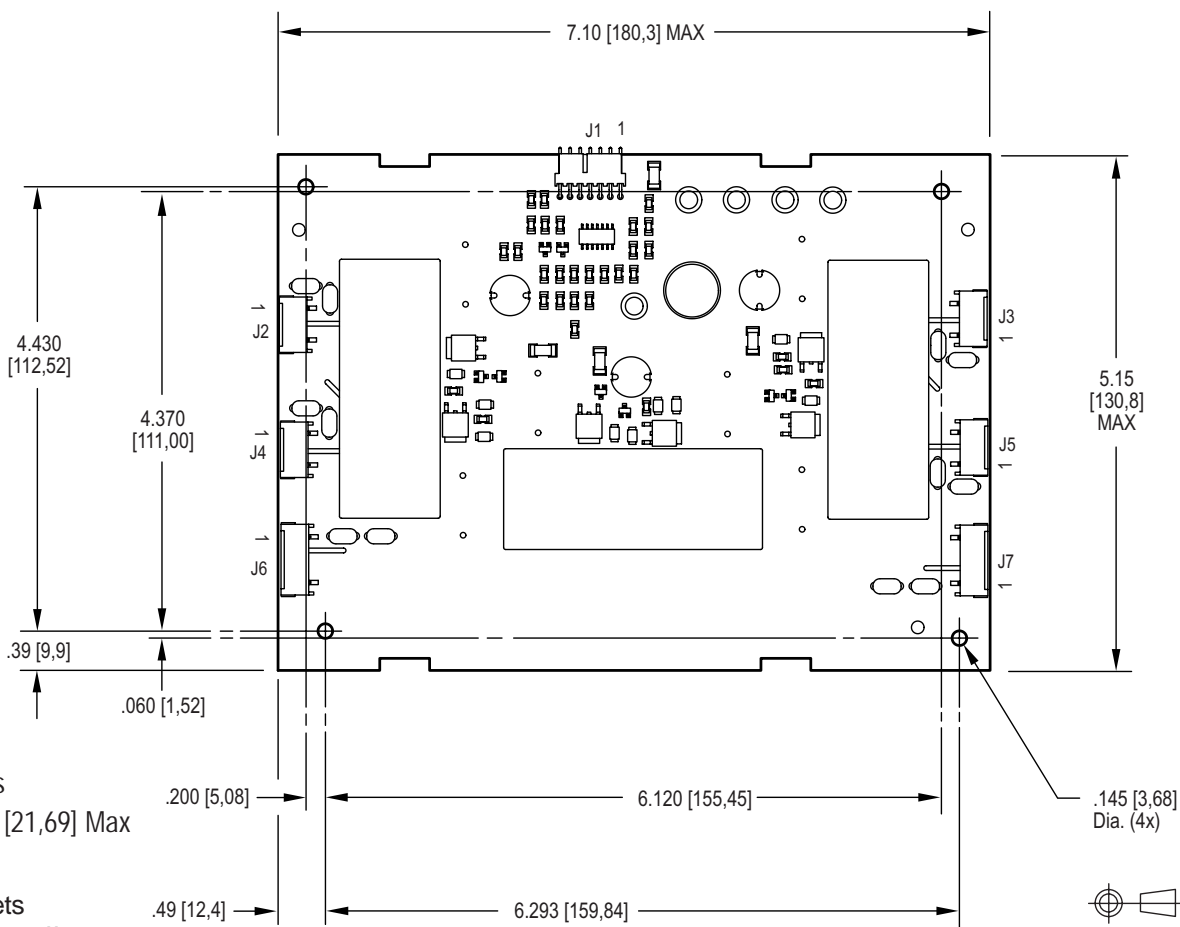
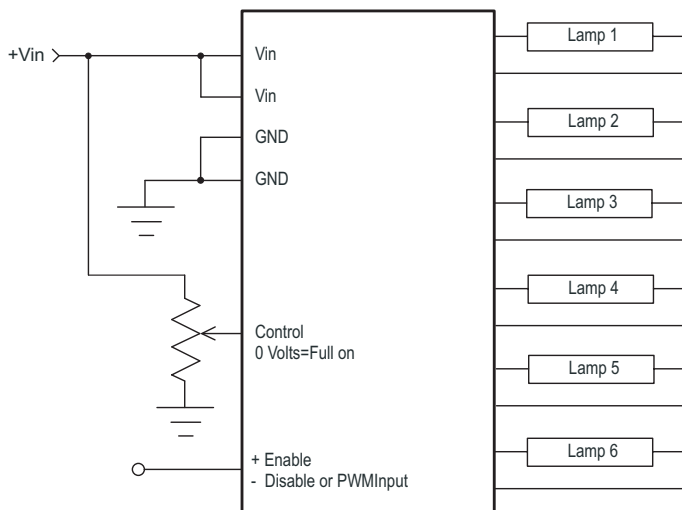
<http://www.ergpower.com>



MS Series



Product Configuration
Please refer to specific data sheets for input/output pin designations



Mass: 290 grams
Unit Height: .850 [21,69] Max

* This product assembly meets IPC-A-610 Class II Standards.

Specifications Subject to Change Without Notice



Endicott Research Group, Inc.

2601 Wayne St., Endicott, NY 13760
607-754-9187 Fax 607-754-9255
<http://www.ergpower.com>