



Endicott Research Group, Inc.

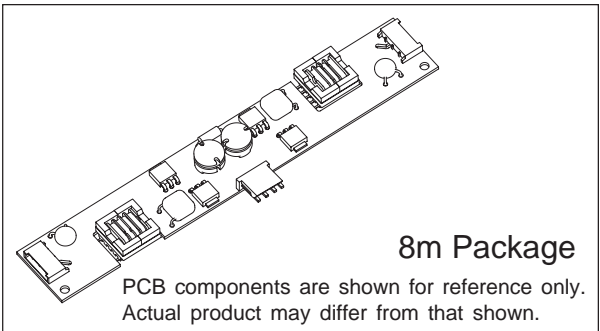
2601 Wayne St., Endicott, NY 13760
 607-754-9187 Fax 607-754-9255
 http://www.ergpower.com

L3008

8m Class DC to AC Inverter

Specifications and Applications Information

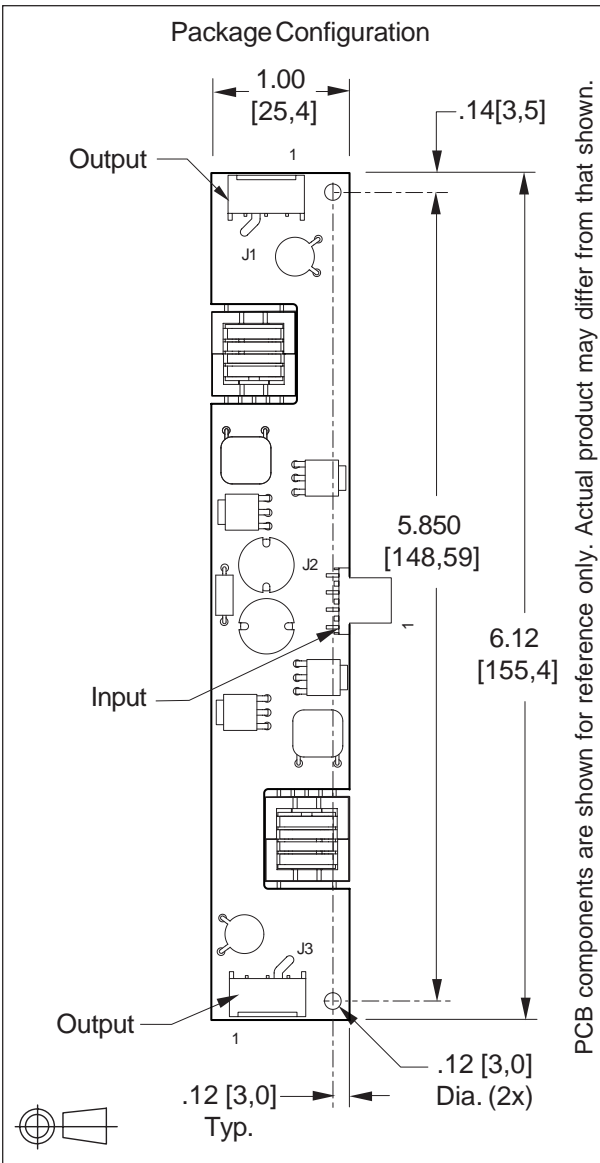
04/26/04 Preliminary



The ERG L3008 (8m Class) low profile dc to ac inverter is specifically designed to power the LG Philips LB121S02 LCD display module to a moderate brightness level from a +5 volt dc source.

This low profile inverter features:

- ✓ Less Than 8 mm in Height
- ✓ LCD Module Specific
- ✓ Display Compatible Output Connector
- ✓ Firm Specifications
- ✓ Application Information
- ✓ Designed, Manufactured and Supported in the USA
- ✓ Custom Input and Output Voltages
- ✓ Flexible System Interface
- ✓ Notebook Display Head Compatible



Connectors			
Input Connector		Output Connector	
Molex 22-05-3041		JST SM02(8.0)B-BHS-1-TB	
J2-1	Vin(+)	J1-1 ACout	J3-1 ACout
J2-2	GND	J1-2 N/C	J3-2 N/C
J2-3	Control	J1-3 ACout	J3-3 ACout
J2-4	N/C		

Absolute Maximum Ratings

Rating	Symbol	Value	Units
Input Voltage Range	V _{in}	-0.3 to +5.5	V _{dc}
Operating Temperature	T _o	-0 to +70	°C
Storage Temperature	T _{stg}	-40 to +85	°C

Recommended Operating Conditions

Rating	Symbol	Value	Units
Input Voltage	V _{in}	+4.50 to 5.25	V _{dc}

Electrical Characteristics

Unless otherwise noted V_{in} = 5.00 Volts dc and T_a = 25°C

Characteristic	Symbol	Min	Typ	Max	Units
Input Current ^(note 1)	I _{in}	-	1.5	2.2	A _{dc}
Operating Frequency	F _o	50	55	60	KHz
Minimum Output Voltage	V _{out} (min)	1300	-	-	V _{rms}
Efficiency	-	-	94	-	%
Output Current (per tube)	I _{out}	-	6.5	-	ma _{rms}
Output Voltage (When powering a load simulating the referenced display)	V _{out}	-	580	-	V _{rms}
Pin3 Input Current Requirement ^(note 2)	-	-	22	-	ma _{dc}

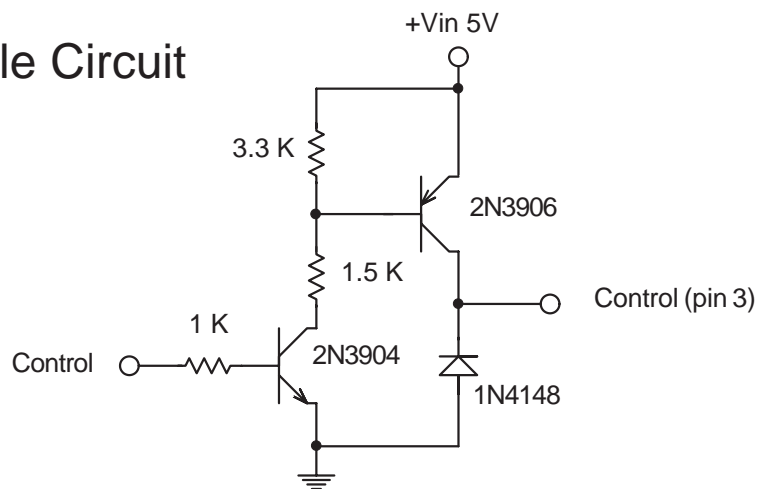
Specifications subject to change without notice.

(Note 1) Input current in excess of maximum may indicate a load/inverter mismatch condition, which can result in reduced reliability. Please contact ERG technical support.

(Note 2) Control Pin Voltage is +V_{in} ON; GND OFF.

Input voltage specification modified for clarity 4/2004.

Disable Circuit



Endicott Research Group, Inc.

2601 Wayne St., Endicott, NY 13760

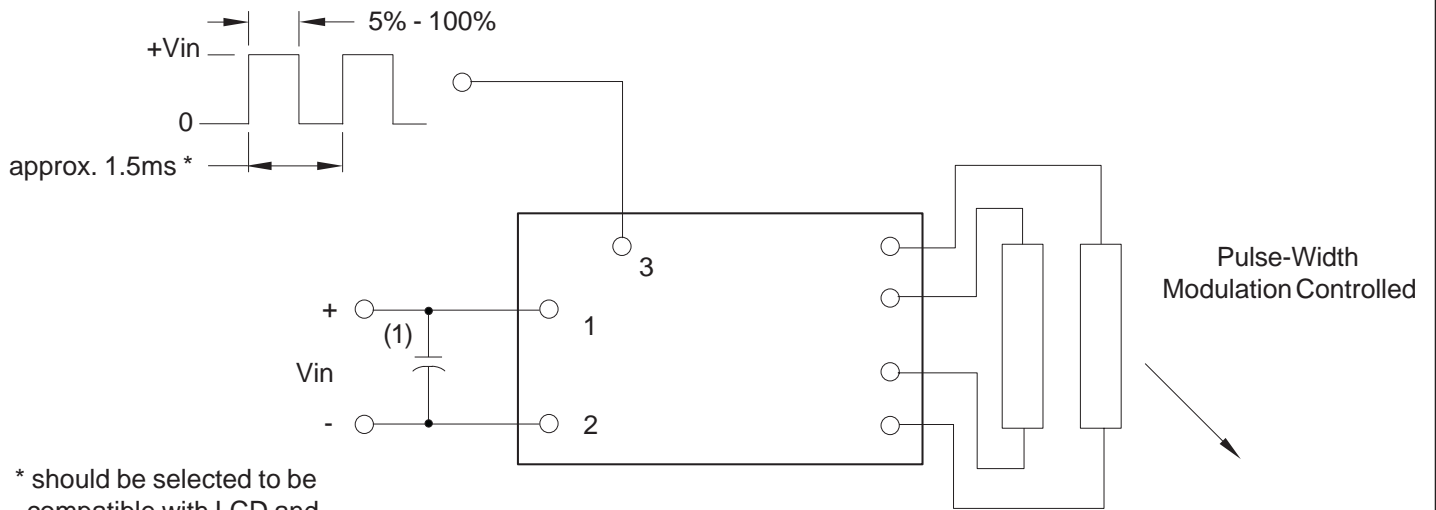
607-754-9187 Fax 607-754-9255

<http://www.ergpower.com>

Made in USA



Dimming Option



* should be selected to be compatible with LCD and display driver.

Note 1 Input by-pass capacitor (25uf - 100uf) may be required to reduce reflected ripple.



Endicott Research Group, Inc. (ERG) reserves the right to make changes in circuit design and/or specifications at any time without notice. Accordingly, the reader is cautioned to verify that data sheets are current before placing orders. Information furnished by ERG is believed to be accurate and reliable. However, no responsibility is assumed by ERG for its use.