



Endicott Research Group, Inc.

2601 Wayne St., Endicott, NY 13760
 607-754-9187 Fax 607-754-9255
<http://www.ergpower.com>

Specifications and Applications Information

04/26/04

Preliminary

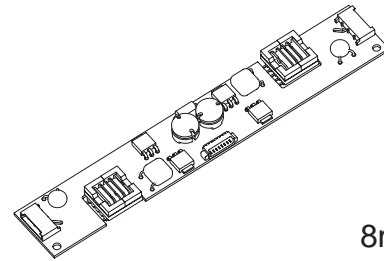
The ERG L2885 (8m Class) low profile dc to ac inverter is specifically designed to power the LG Philips LM150X05-C3 LCD display module to a moderate brightness level from a +12 volt dc source.

This low profile inverter features:

- ✓ Less Than 8 mm in Height
- ✓ LCD Module Specific
- ✓ Display Compatible Output Connector
- ✓ Firm Specifications
- ✓ Application Information
- ✓ Designed, Manufactured and Supported in the USA
- ✓ Custom Input and Output Voltages
- ✓ Flexible System Interface
- ✓ Notebook Display Head Compatible

L2885

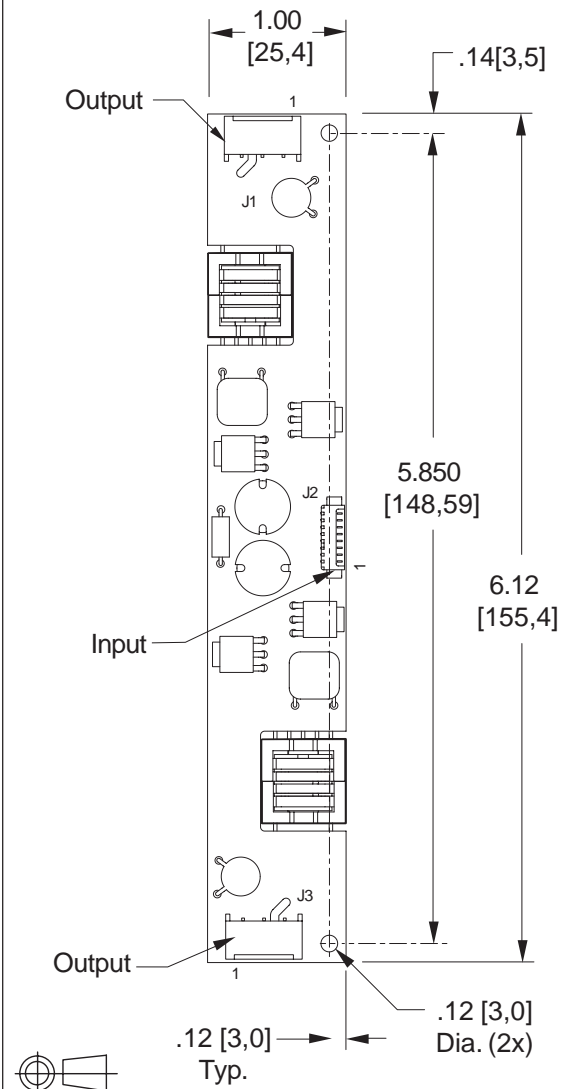
8m Class DC to AC Inverter



8m Package

PCB components are shown for reference only. Actual product may differ from that shown.

Package Configuration



Connectors

Input Connector		Output Connector	
Molex 53261-0890		JST SM02(8.0)B-BHS-1-TB	
J2-1,2	Vin(+)	J1-1 ACout	J3-1 ACout
J2-3,4	GND	J1-2 N/C	J3-2 N/C
J2-5	Control	J1-3 ACout	J3-3 ACout
J2-6,7,8	N/C		

Absolute Maximum Ratings

Rating	Symbol	Value	Units
Input Voltage Range	V _{in}	-0.3 to +13.2	Vdc
Operating Temperature	T _o	-0 to +85	°C
Storage Temperature	T _{stg}	-40 to +85	°C

Recommended Operating Conditions

Rating	Symbol	Value	Units
Input Voltage	V _{in}	+6 to 13.2	Vdc

Electrical Characteristics

Unless otherwise noted V_{in} = 12.00 Volts dc and T_a = 25°C

Characteristic	Symbol	Min	Typ	Max	Units
Input Current <small>(note 1)</small>	I _{in}	-	.88	1.02	A _{dc}
Operating Frequency	F _o	47	52	57	KHz
Minimum Output Voltage	V _{out} (min)	1300	-	-	V _{rms}
Efficiency	-	-	73	-	%
Output Current (per tube)	I _{out}	-	8	-	ma _{rms}
Output Voltage (When powering a load simulating the referenced display)	V _{out}	-	480	-	V _{rms}
Pin5 Input Current Requirement <small>(note 2)</small>	-	-	20	-	ma _{dc}

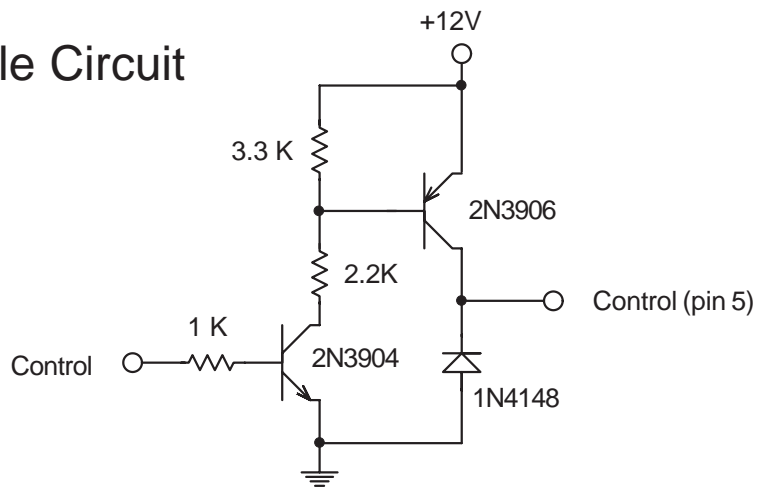
After tube has been allowed to warm-up for 5 minutes
 (Note 1) Input current in excess of maximum may indicate a load/inverter mismatch condition, which can result in reduced reliability. Please contact ERG technical support.

Specifications subject to change without notice.

(Note 2) Control Pin Voltage is +V_{in} ON; GND OFF.

Input voltage specification modified for clarity 4/2004.

Disable Circuit



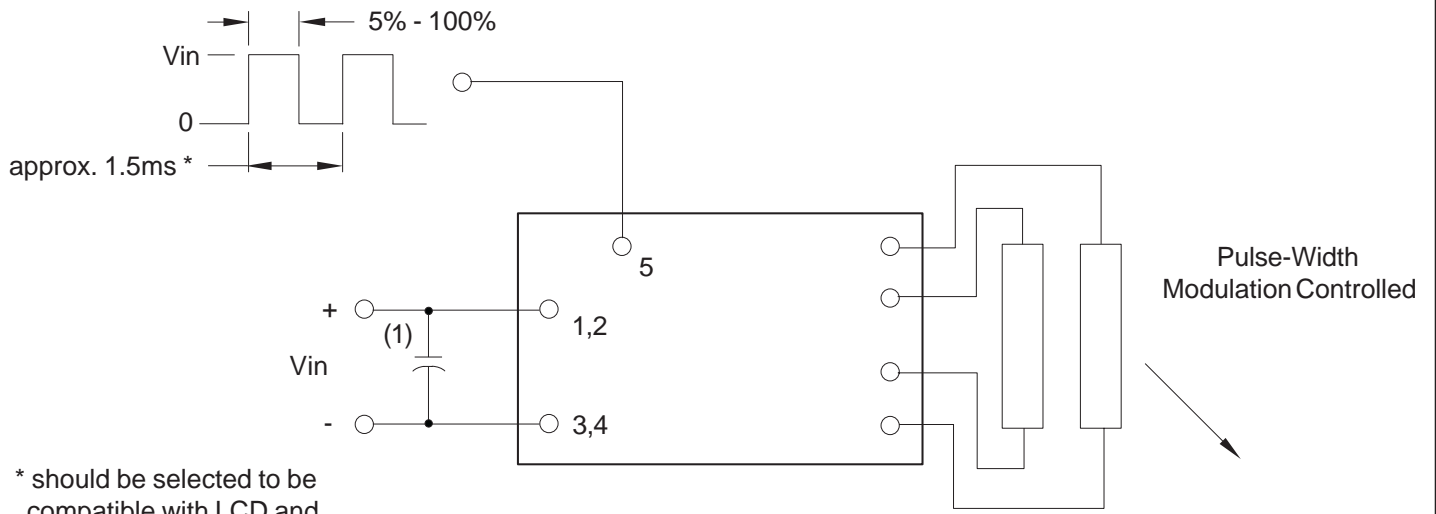
Endicott Research Group, Inc.

2601 Wayne St., Endicott, NY 13760
 607-754-9187 Fax 607-754-9255
<http://www.ergpower.com>

Made in USA



Dimming Option



* should be selected to be compatible with LCD and display driver.

Note 1 Input by-pass capacitor (25uf - 100uf) may be required to reduce reflected ripple.



Endicott Research Group, Inc. (ERG) reserves the right to make changes in circuit design and/or specifications at any time without notice. Accordingly, the reader is cautioned to verify that data sheets are current before placing orders. Information furnished by ERG is believed to be accurate and reliable. However, no responsibility is assumed by ERG for its use.