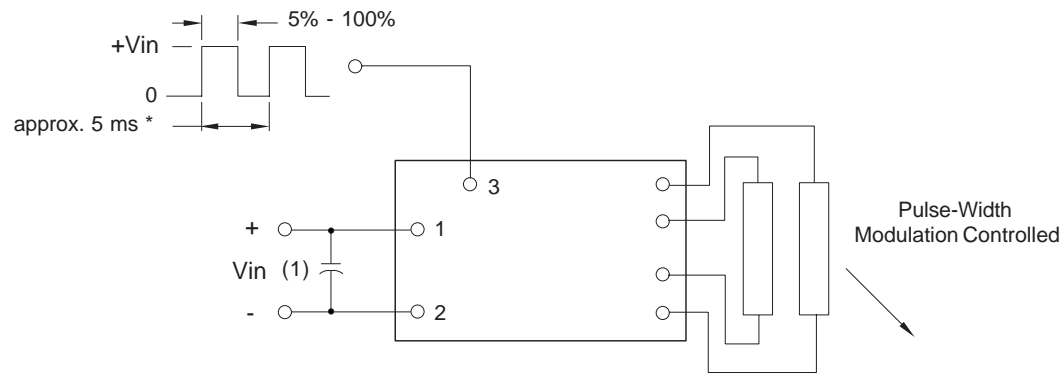


L2774

Dimming Option



* should be selected to be compatible with LCD and display driver.

Note 1 Input by-pass capacitor (25uf - 100uf) may be required to reduce reflected ripple.



Endicott Research Group, Inc.
 2601 Wayne St., Endicott NY 13760
 607-754-9187



Endicott Research Group, Inc.
 2601 Wayne St., Endicott NY 13760
 607-754-9187 Fax 607-754-9255
<http://www.ergpower.com>

L2774

8m Class DC to AC Inverter

Specifications and Applications Information

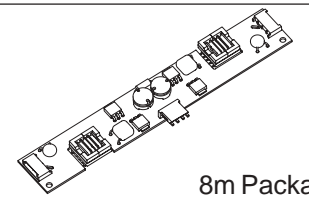
08/05/02

Preliminary

The ERG L2774 (**8m Class**) low profile dc to ac inverter is specifically designed to power the Optrex T-51513D104U-FW-A-AB LCD display module to a moderate brightness level from a +5 volt dc source.

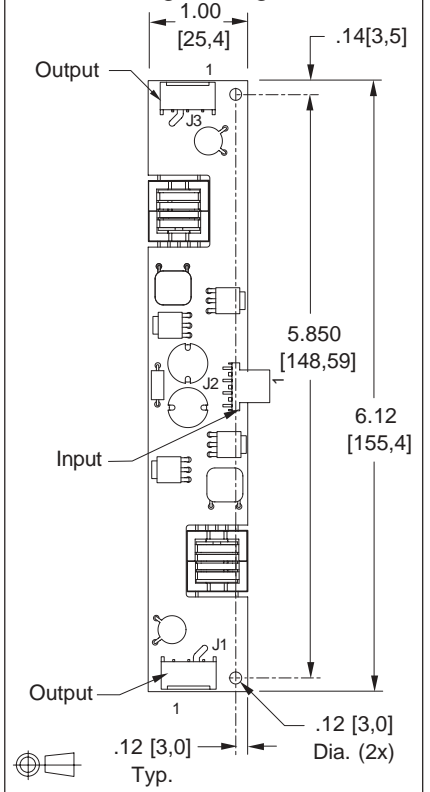
This low profile inverter features:

- ✓ Less Than 8 mm in Height
- ✓ LCD Module Specific
- ✓ Display Compatible Output Connector
- ✓ Firm Specifications
- ✓ Application Information
- ✓ Designed, Manufactured and Supported in the USA
- ✓ Custom Input and Output Voltages
- ✓ Flexible System Interface



8m Package

Package Configuration



Pin Descriptions

| Input Connector | | Output Connectors | |
|---------------------|---------|--------------------------|----------|
| MOLEX 22-05-3041 | | JST SM02(8.0)B-BHS1TB | |
| J2-1 | Vin | J1-1 | ACout |
| J2-2 | GND | J1-2 | N/C |
| J2-3 | Control | J1-3 | ACcommon |
| J2-4 | N/C | J3-1 | ACout |
| | | J3-2 | N/C |
| | | J3-3 | ACcommon |

L2774

Absolute Maximum Ratings

| Rating | Symbol | Value | Units |
|-----------------------|--------|--------------|-------|
| Input Voltage Range | Vin | -0.3 to +5.5 | Vdc |
| Operating Temperature | To | 0 to +70 | °C |
| Storage Temperature | Tstg | -40 to +85 | °C |

Recommended Operating Conditions

| Rating | Symbol | Value | Units |
|---------------|--------|-------------|-------|
| Input Voltage | Vin | +2.5 to 5.5 | Vdc |

Electrical Characteristics

Unless otherwise noted Vin = 5.00 Volts dc and Ta = 25 °C

| Characteristic | Symbol | Min | Typ | Max | Units |
|--|------------|------|-----|-----|-------------------|
| Input Current | Iin | - | 1.8 | 2.1 | A _{dc} |
| Operating Frequency | Fo | 35 | 40 | 45 | KHz |
| Minimum Output Voltage | Vout (min) | 1400 | - | - | V _{rms} |
| Efficiency | η | - | 84 | - | % |
| Output Current per tube | Iout | - | 6.5 | - | ma _{rms} |
| Output Voltage (when Powering a load simulating the referenced display) | Vout | - | 580 | - | V _{rms} |
| Pin3 Input Current Requirement | - | - | 26 | - | ma _{dc} |

After tube has been allowed to warm-up for 5 minutes
External Disable Circuit shown on page 3.

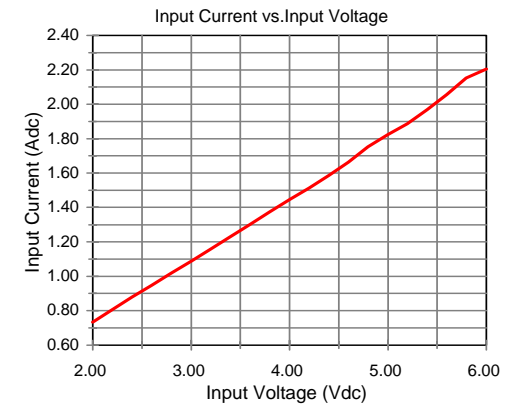
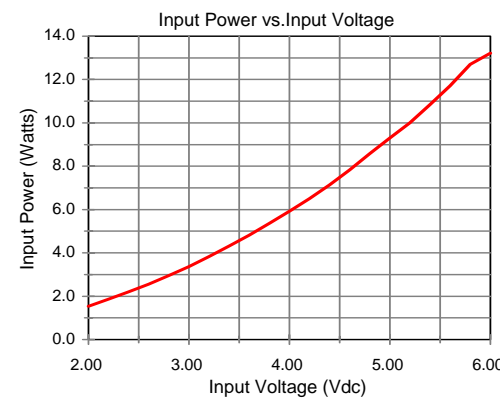
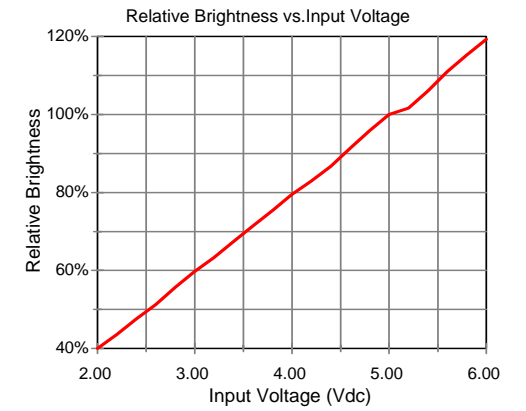
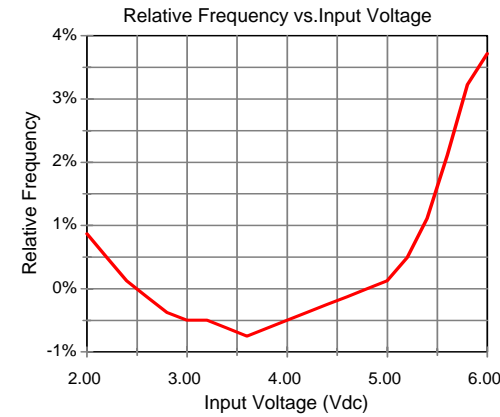
Specifications subject to change without notice.



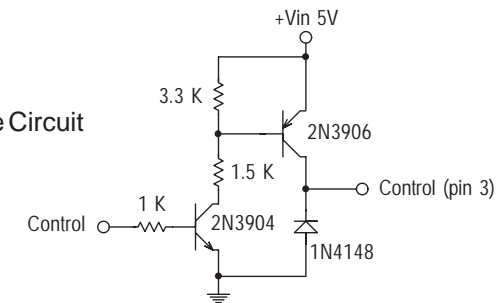
Endicott Research Group, Inc.

Typical Performance Curves

L2774



Disable Circuit



Endicott Research Group, Inc.