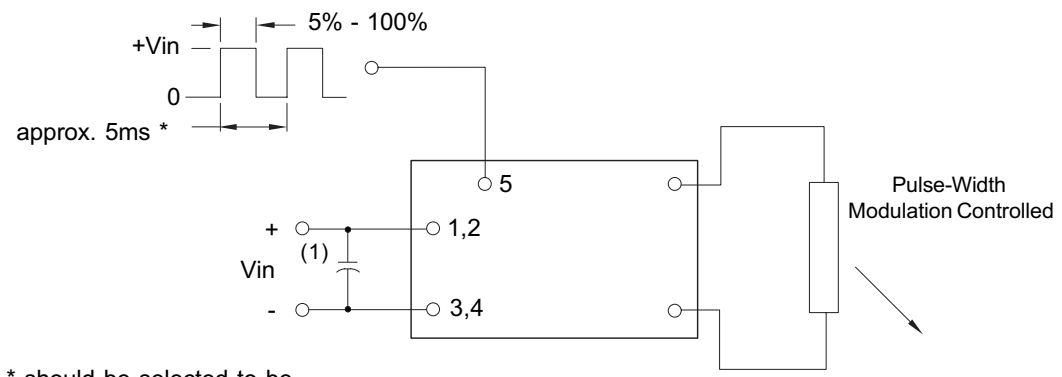


# L2548

## Dimming Option



\* should be selected to be compatible with LCD and display driver.

Note 1 Input by-pass capacitor (25uf - 100uf) may be required to reduce reflected ripple.



**Endicott Research Group, Inc.**  
 2601 Wayne St., Endicott NY 13760  
 607-754-9187



**Endicott Research Group, Inc.**  
 2601 Wayne St., Endicott NY 13760  
 607-754-9187 Fax 607-754-9255  
<http://www.ergpower.com>

# L2548

## 8m Class DC to AC Inverter

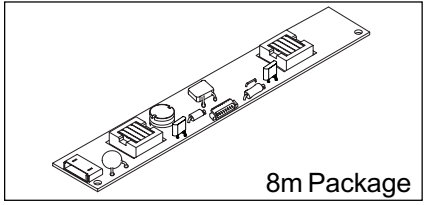
## Specifications and Applications Information

05/22/01 Preliminary

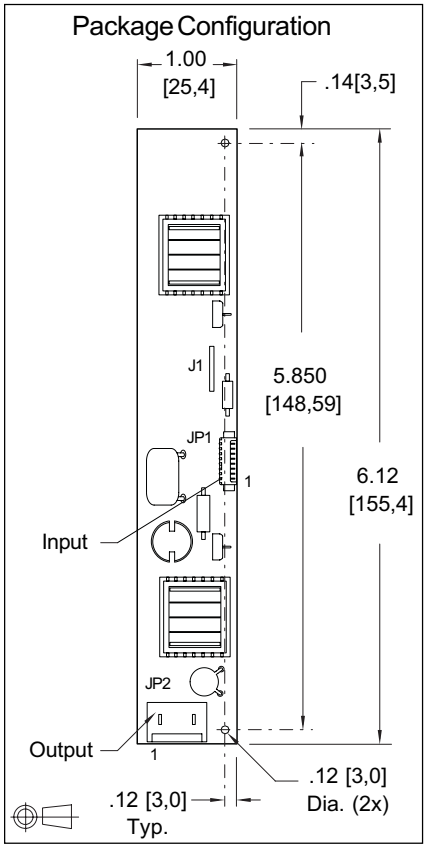
The ERG L2548 (8m Class) low profile dc to ac inverter is specifically designed to power the Kyocera KHB104VG1BB-G92 LCD display module to a moderate brightness level from a +5 volt dc source.

This low profile inverter features:

- ✓ Less Than 8 mm in Height
- ✓ LCD Module Specific
- ✓ Display Compatible Output Connector
- ✓ Firm Specifications
- ✓ Application Information
- ✓ Designed, Manufactured and Supported in the USA
- ✓ Custom Input and Output Voltages
- ✓ Flexible System Interface
- ✓ Notebook Display Head Compatible



Pin Descriptions			
Input Connector		Output Connectors	
MOLEX 532-61-0890		HONDA QZ-19-A3MYL	
JP1-1	Vin(+)	JP2-1	ACout
JP1-2	Vin(+)	JP2-2	N/C
JP1-3	GND	JP2-3	ACout
JP1-4	GND	JP3-1	N/A
JP1-5	Control	JP3-4	N/A
JP1-6-8	N/C		



# L2548

## Absolute Maximum Ratings

Rating	Symbol	Value	Units
Input Voltage Range	$V_{in}$	-0.3 to +5.5	Vdc
Operating Temperature	$T_o$	0 to +70	°C
Storage Temperature	$T_{stg}$	-40 to +85	°C

## Recommended Operating Conditions

Rating	Symbol	Value	Units
Input Voltage	$V_{in}$	+2.5 to 5.5	Vdc

## Electrical Characteristics

Unless otherwise noted  $V_{in} = 5.00$  Volts dc and  $T_a = 25$  °C

Characteristic	Symbol	Min	Typ	Max	Units
Input Current	$I_{in}$	-	.77	.90	Adc
Operating Frequency	$F_o$	26	31	36	KHz
Minimum Output Voltage	$V_{out}$ (min)	1950	-	-	$V_{rms}$
Efficiency	$\eta$	-	70	-	%
Output Current	$I_{out}$	-	5.2	-	marms
Output Voltage (when Powering a load simulating the referenced display)	$V_{out}$	-	520	-	$V_{rms}$
Pin5 Input Current Requirement	-	-	8	-	madc

After tube has been allowed to warm-up for 5 minutes  
External Disable Circuit shown on page 3.

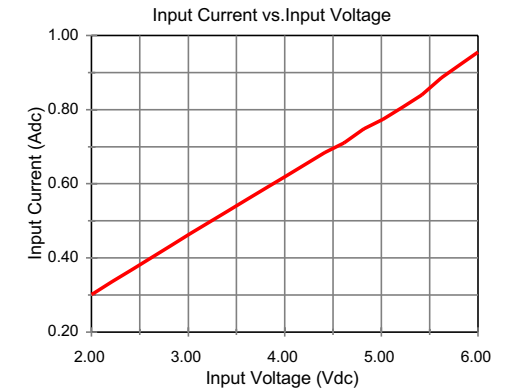
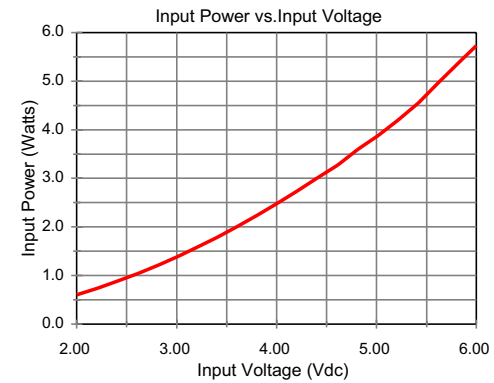
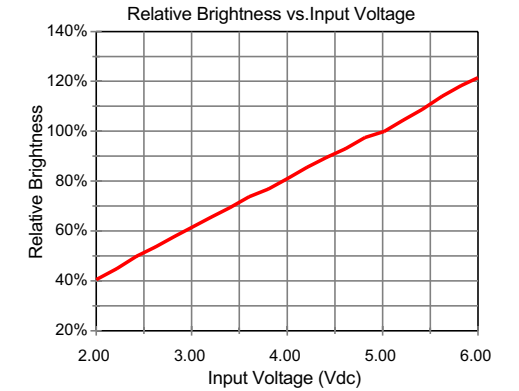
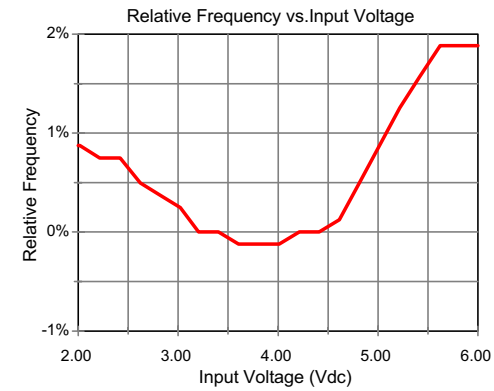
Specifications subject to change without notice.



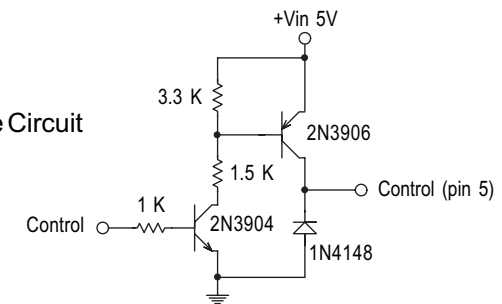
Endicott Research Group, Inc.

## Typical Performance Curves

# L2548



Disable Circuit



Endicott Research Group, Inc.