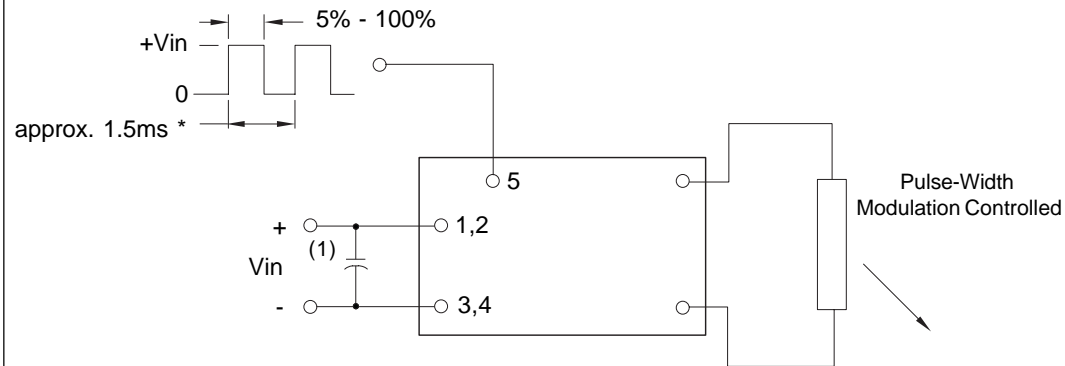


L2332

Dimming Option



* should be selected to be compatible with LCD and display driver.

Note 1 Input by-pass capacitor (25uf - 100uf) may be required to reduce reflected ripple.



Endicott Research Group, Inc.

2601 Wayne St., Endicott NY 13760
607-754-9187



Endicott Research Group, Inc.

2601 Wayne St., Endicott NY 13760
607-754-9187 Fax 607-754-9255
<http://www.ergpower.com>

Specifications and Applications Information

03/30/00

Preliminary

The ERG L2332 (*8m Class*) low profile dc to ac inverter is specifically designed to power the Kyocera KHB104SV1AA-G91/KHB104VG1BB-G92 LCD display module to a moderate brightness level from a +12 volt dc source.

This low profile inverter features:

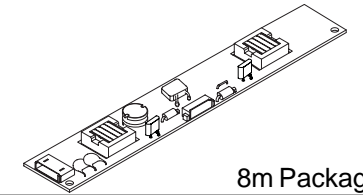
- ✓ Less Than 8 mm in Height
- ✓ LCD Module Specific
- ✓ Display Compatible Output Connector
- ✓ Firm Specifications
- ✓ Application Information
- ✓ Designed, Manufactured and Supported in the USA
- ✓ Custom Input and Output Voltages
- ✓ Flexible System Interface
- ✓ Notebook Display Head Compatible

Pin Descriptions

Input Connector		Output Connectors	
MOLEX 532-61-0890		HONDA QZ-19-A3MYL#02	
JP1-1	Vin(+)	JP2-1	ACout
JP1-2	Vin(+)	JP2-2	NC
JP1-3	GND	JP2-3	Common
JP1-4	GND	JP3-1	N/A
JP1-5	Control	JP3-4	N/A
JP1-6-8	NC		

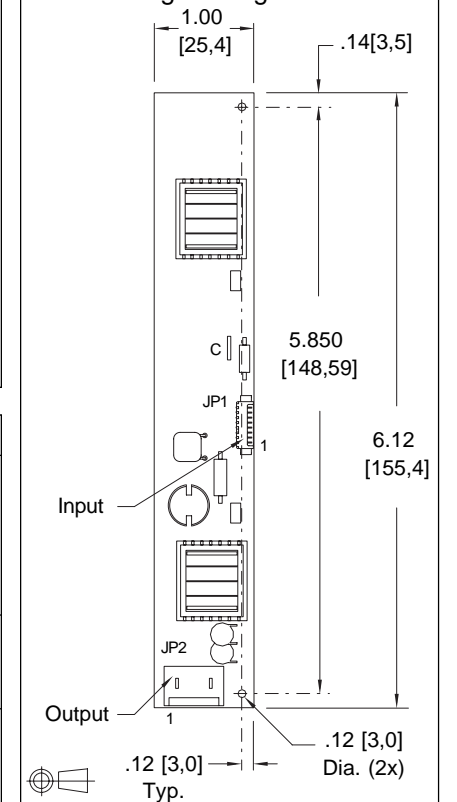
L2332

8m Class DC to AC Inverter



8m Package

Package Configuration



L2332

Absolute Maximum Ratings

Rating	Symbol	Value	Units
Input Voltage Range	V_{in}	-0.3 to +13.2	Vdc
Operating Temperature	T_o	-20 to +70	°C
Storage Temperature	T_{stg}	-40 to +85	°C

Recommended Operating Conditions

Rating	Symbol	Value	Units
Input Voltage	V_{in}	+6 to 13.2	Vdc

Electrical Characteristics

Unless otherwise noted $V_{in} = 12.00$ Volts dc and $T_a = 25$ °C

Characteristic	Symbol	Min	Typ	Max	Units
Input Current	I_{in}	-	.35	.40	Adc
Operating Frequency	F_o	32	37	42	KHz
Minimum Output Voltage	V_{out} (min)	1950	-	-	V_{rms}
Efficiency	η	-	64	-	%
Output Current	I_{out}	-	5.2	-	marms
Output Voltage (when Powering a load simulating the referenced display)	V_{out}	-	520	-	V_{rms}
Pin5 Input Current Requirement	-	-	4	-	madc

After tube has been allowed to warm-up for 5 minutes
External Disable Circuit shown on page 3.

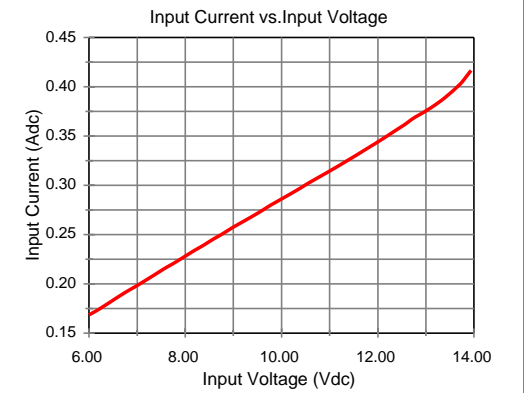
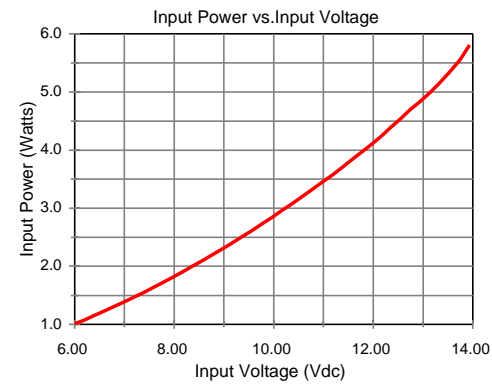
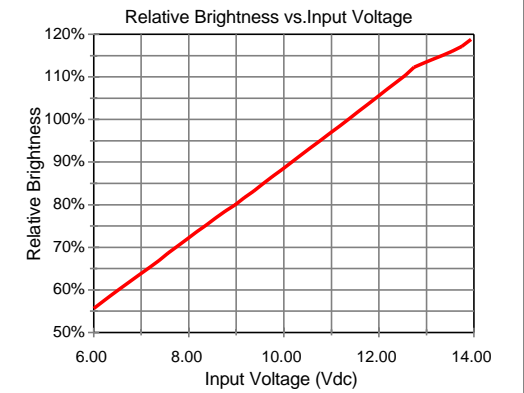
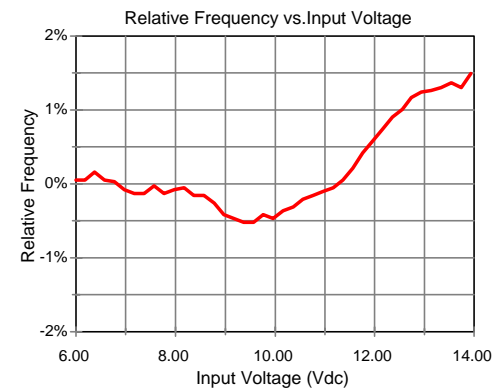
Specifications subject to change without notice.



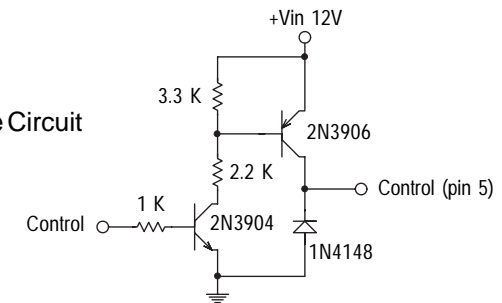
Endicott Research Group, Inc.

Typical Performance Curves

L2332



Disable Circuit



Endicott Research Group, Inc.