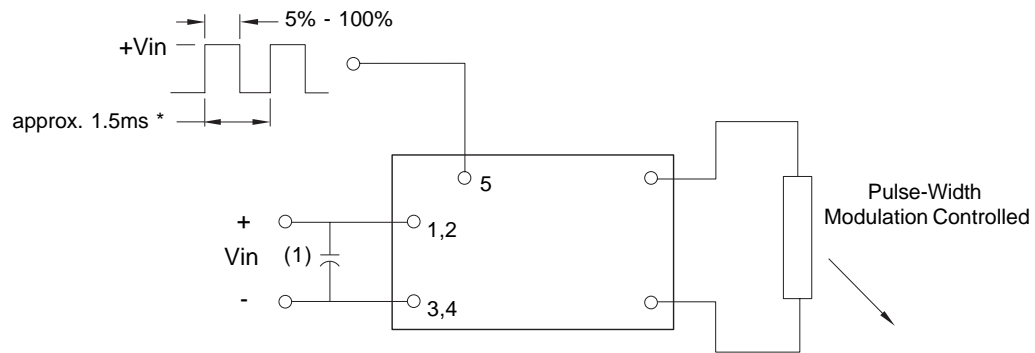


L2301

Dimming Option (valid with the "C" jumper installed)



* should be selected to be compatible with LCD and display driver.

Note 1 Input by-pass capacitor (25uf - 100uf) may be required to reduce reflected ripple.



Endicott Research Group, Inc.
2601 Wayne St., Endicott NY 13760
607-754-9187



Endicott Research Group, Inc.

2601 Wayne St., Endicott NY 13760
607-754-9187 Fax 607-754-9255
<http://www.ergpower.com>

Specifications and Applications Information

02/14/00

Preliminary

The ERG L2301 (*8m Class*) low profile dc to ac inverter is specifically designed to power the Sharp LQ070T5DG01 LCD display module to a moderate brightness level from a +12 volt dc source.

This low profile inverter features:

- ✓ LCD Module Specific
- ✓ Display Compatible Output Connector
- ✓ Firm Specifications
- ✓ Application Information
- ✓ Designed, Manufactured and Supported in the USA
- ✓ Custom Input and Output Voltages Available
- ✓ Flexible System Interface
- ✓ Notebook Display Head Compatible

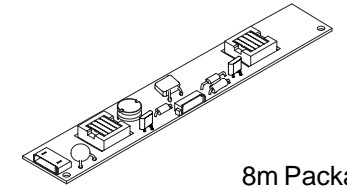
Pin Descriptions

Input Connector		Output Connector	
MOLEX 532-61-0890		JST SM02(8.0)B-BHS1TB	
JP1-1	Vin(+)	JP2-1	ACout
JP1-2	Vin(+)	JP2-2	ACout
JP1-3	GND		
JP1-4	GND		
JP1-5	Control *	JP3-1	N/A
JP1-6-8	NC	JP3-2	N/A

* Valid with "C" Jumper Installed

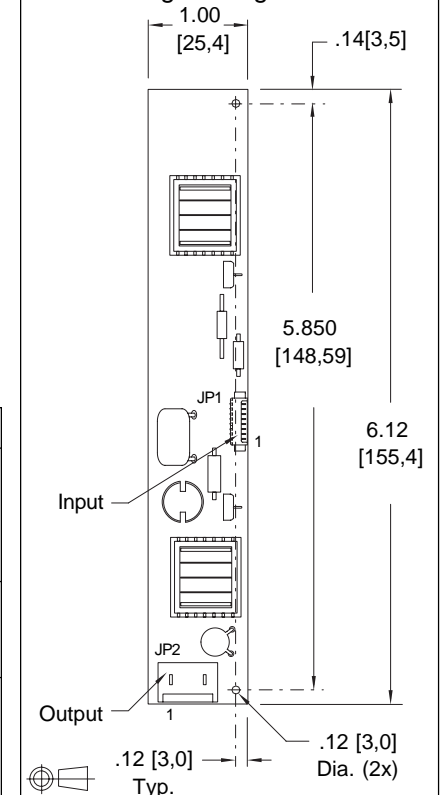
L2301

8m Class
DC to AC Inverter



8m Package

Package Configuration



L2301

Absolute Maximum Ratings

Rating	Symbol	Value	Units
Input Voltage Range	V _{in}	-0.3 to +13.2	Vdc
Operating Temperature	T _o	-20 to +70	°C
Storage Temperature	T _{stg}	-40 to +85	°C

Recommended Operating Conditions

Rating	Symbol	Value	Units
Input Voltage	V _{in}	+6 to 13.2	Vdc

Electrical Characteristics

Unless otherwise noted V_{in} = 12.00 Volts dc and T_a = 25 °C

Characteristic	Symbol	Min	Typ	Max	Units
Input Current	I _{in}	-	.6	.7	Adc
Operating Frequency	F _o	32	36	40	KHz
Minimum Output Voltage	V _{out} (min)	1950	-	-	Vrms
Efficiency	η	-	78	-	%
Output Current	I _{out}	-	6.5	-	marms
Output Voltage (when Powering a load simulating the referenced display)	V _{out}	-	860	-	Vrms
Pin5 Input Current Requirement	-	-	10	-	madc

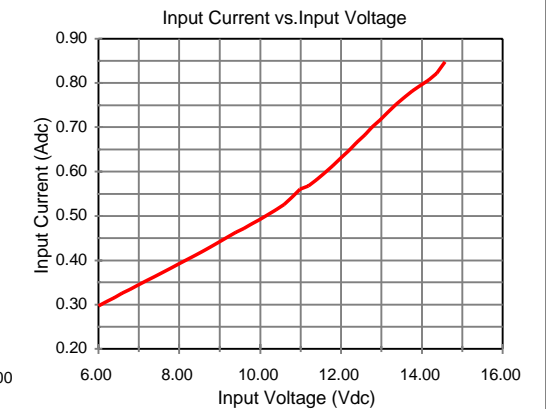
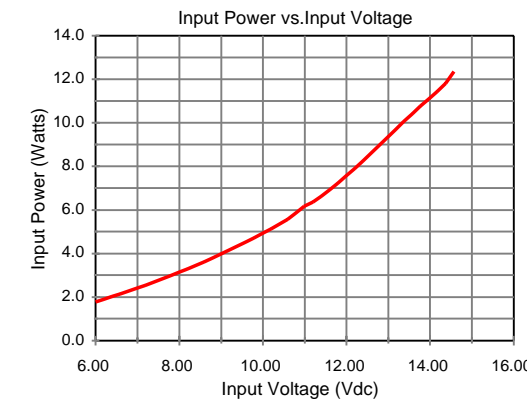
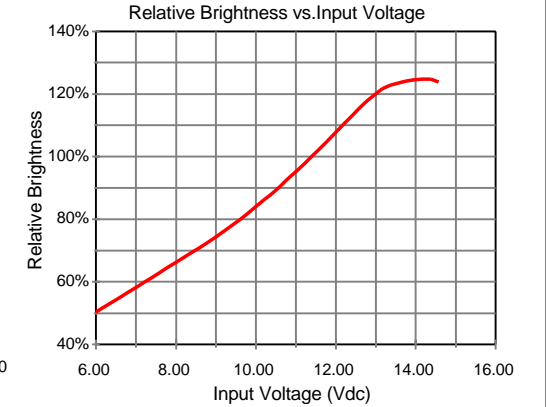
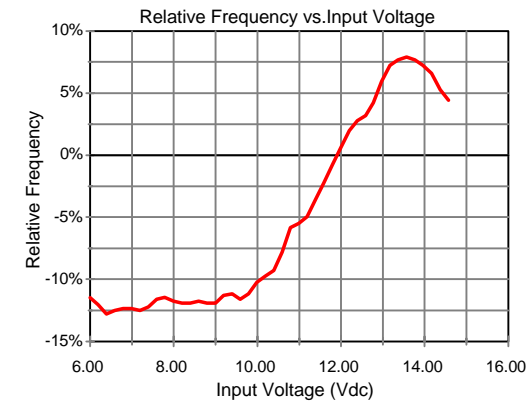
After tube has been allowed to warm-up for 5 minutes
External Disable Circuit shown on page 3. Specifications subject to change without notice.



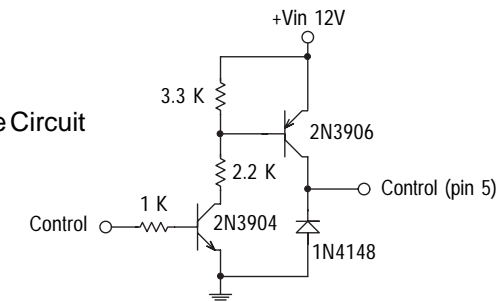
Endicott Research Group, Inc.

Typical Performance Curves

L2301



Disable Circuit



Valid with the "C" jumper installed



Endicott Research Group, Inc.