

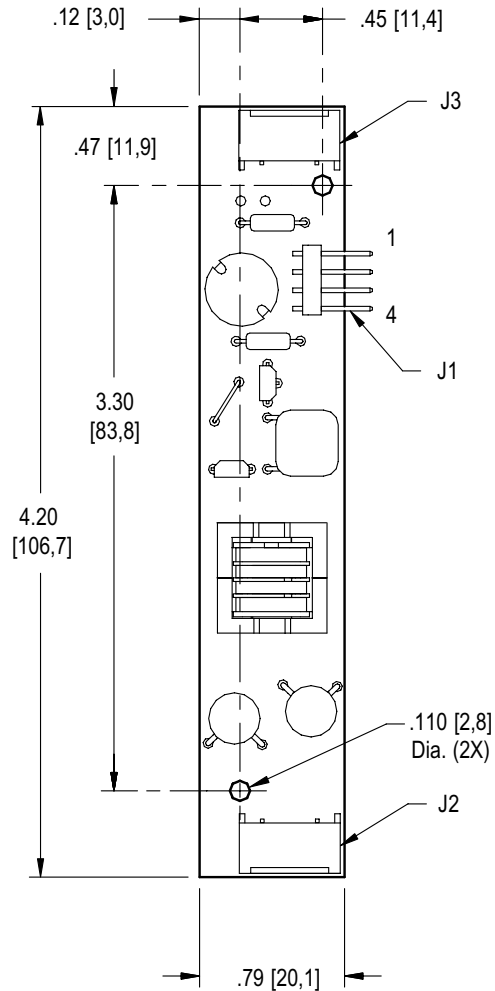
Low Profile Solution for 2 Tube LCD Modules



- High Efficiency
- Low Cost
- Two Tubes
- Up to 5 Watts of Output Power
- Fully Synchronized Lighting of 2 CCF Tubes
- Integrated Input and Output Connectors
- External Control and PWM Dimming
- 8 Millimeters High
- Designed, Manufactured and Supported in the USA
- One Year Warranty



Product Configuration



* This product assembly meets IPC-A-610 Class II Standards.

Mass: 30 grams

Pin Designations	
J1-1	Vin (+)
J1-2	Vin (-)
J1-3	Control
J1-4	NC

Specifications Subject to Change Without Notice



Endicott Research Group, Inc.

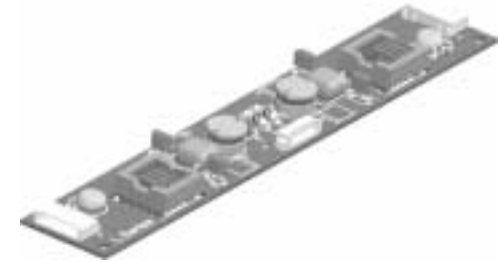
2601 Wayne Street, Endicott, NY 13760

607-754-9187 Fax 607-754-9255

<http://www.ergpower.com>

ERG K Series and L Series to LCD Module Cross Reference Guide

LCD Panel		Input Voltage Vdc	ERG Part Number
Manufacturer	Model #		
HITACHI	SX31S001	12.00	K1961
KYOCERA	KCS6448HSTT-X21	5.00	K2045
LANDMARK	BL - C069	12.00	K1932
SHARP	LM64C39	12.00	K1840
SHARP	LM64C391	12.00	K1840
SHARP	LM80C31	5.00	K1967
SHARP	LM80C31	12.00	K1968
SHARP	LQ10D341	5.00	K1906
SHARP	LQ10D341	12.00	K1918
SHARP	LQ10D344	5.00	K1906
SHARP	LQ10D344	12.00	K1918
SHARP	LQ10D345	5.00	K1906
SHARP	LQ10D345	12.00	K1918
SHARP	LQ10D421	5.00	K1906
SHARP	LQ10D421	12.00	K1918
SHARP	LQ12S31	5.00	K1985
SHARP	LQ12S31	12.00	K1949
SHARP	LQ12S41	5.00	K1985
SHARP	LQ12S41	12.00	K1949
SHARP	LQ141V1DG21	12.00	L2121
SHARP	LQ150X1DG11	12.00	L2121
SHARP	LQ15X01	12.00	L2121
SHARP	LQ64D341	5.00	K1957
SHARP	LQ64D341	12.00	K1958



Endicott Research Group, Inc.

2601 Wayne Street, Endicott, NY 13760

607-754-9187 Fax 607-754-9255

<http://www.ergpower.com>