



Endicott Research Group, Inc.

2601 Wayne St., Endicott, NY 13760
 607-754-9187 Fax 607-754-9255
<http://www.ergpower.com>

Specifications and Applications Information

12/20/05

Preliminary

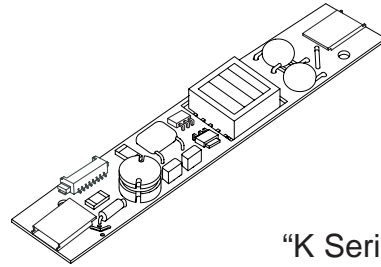
The ERG K3434 (8m Class) low profile dc to ac inverter is specifically designed to power the BSI BLB064V02-EA LCD display module to a moderate brightness level from a +5 volt dc source.

This low profile inverter features:

- ✓ Less Than 8 mm in Height
- ✓ LCD Module Specific
- ✓ Display Compatible Output Connector
- ✓ Firm Specifications
- ✓ Application Information
- ✓ Designed, Manufactured and Supported in the USA
- ✓ Custom Input and Output Voltages
- ✓ Flexible System Interface
- ✓ Notebook Display Head Compatible

K3434

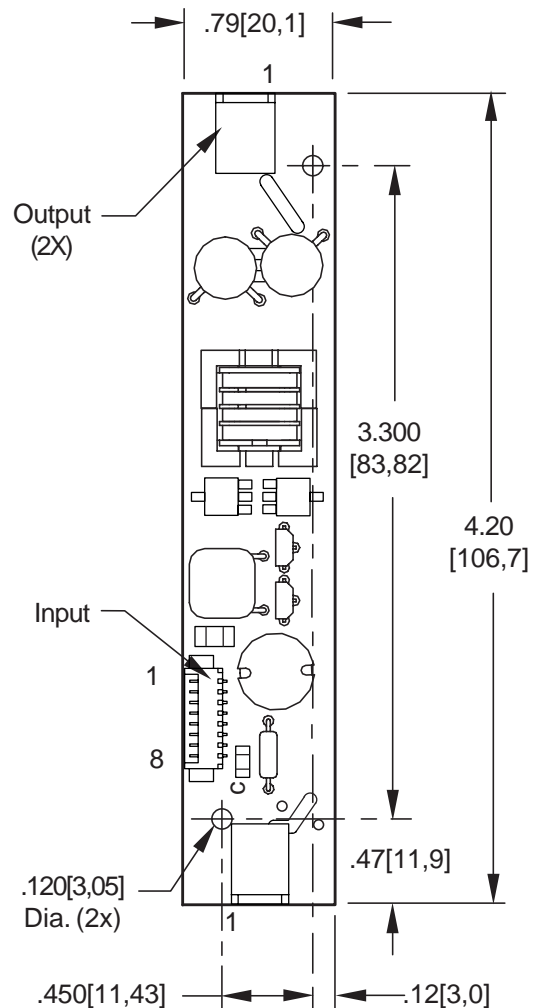
8m Class 2 Lamp DC to AC Inverter



“K Series” Package

PCB components are shown for reference only. Actual product may differ from that shown.

Package Configuration



PCB components are shown for reference only. Actual product may differ from that shown.

Connectors

Input Connector	Output Connectors
Molex 532-61-0890	JST SM02B-BHSS-1-TB
J1-1 Vin(+) J1-2 Vin(+) J1-3 GND J1-4 GND J1-5 Control* J1-6-8 N/C	J6-1 ACout J7-1 ACout J6-2 ACout J7-2 ACout

* Valid with "C" jumper removed

Absolute Maximum Ratings

Rating	Symbol	Value	Units
Input Voltage Range	V _{in}	-0.3 to +5.5	V _{dc}
Operating Temperature	T _o	0 to +70	°C
Storage Temperature	T _{stg}	-40 to +85	°C

Recommended Operating Conditions

Rating	Symbol	Value	Units
Input Voltage	V _{in}	+4.50 to 5.25	V _{dc}

Electrical Characteristics

Unless otherwise noted V_{in} = 5.00 Volts dc and T_a = 25°C

Characteristic	Symbol	Min	Typ	Max	Units
Input Current ^(note 1)	I _{in}	-	.96	1.1	A _{dc}
Operating Frequency	F _o	39	44	49	KHz
Minimum Output Voltage	V _{out} (min)	1300	-	-	V _{rms}
Efficiency	-	-	73	-	%
Output Current (per lamp)	I _{out}	-	5	-	ma _{rms}
Output Voltage (When powering a load simulating the referenced display)	V _{out}	-	350	-	V _{rms}
Pin5 Input Current Requirement	-	-	10	-	ma _{dc}

After lamp has been allowed to warm-up for 5 minutes.
External Disable Circuit shown on page 3.

Specifications subject to change without notice.

(Note 1) Input current in excess of maximum may indicate a load/inverter mismatch condition, which can result in reduced reliability. Please contact ERG technical support.

Application Notes:

- 1) The minimum distance from high voltage areas of the inverter to any conductive material should be .12 inches per kilovolt of starting voltage.
- 2) Mounting hardware should be non-conductive.
- 3) Open framed inverters should not be used in applications at altitudes over 10,000 feet.
- 4) Contact ERG for possible exceptions.



Endicott Research Group, Inc.

2601 Wayne St., Endicott, NY 13760
607-754-9187 Fax 607-754-9255
<http://www.ergpower.com>

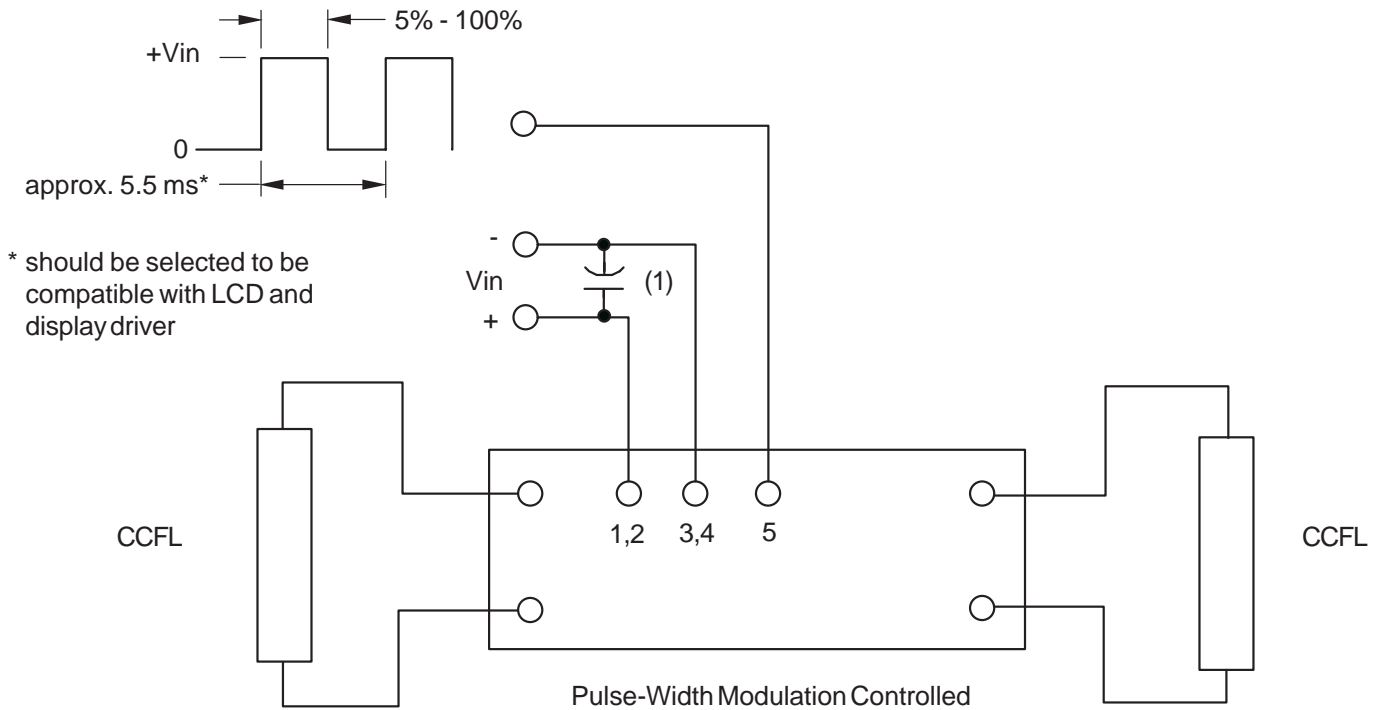
Made in USA



Dimming Option

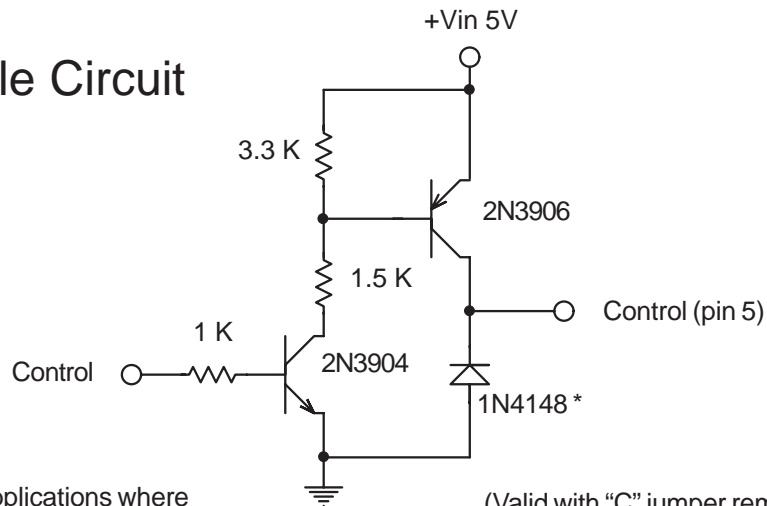
(Valid with "C" jumper removed)

K3434



Note 1 - Low ESR type input by-pass capacitor (22 uf - 100 uf) may be required to reduce reflected ripple.

Disable Circuit



* Remove 1N4148 in applications where excessive ground bounce voltages exist.



Endicott Research Group, Inc. (ERG) reserves the right to make changes in circuit design and/or specifications at any time without notice. Accordingly, the reader is cautioned to verify that data sheets are current before placing orders. Information furnished by ERG is believed to be accurate and reliable. However, no responsibility is assumed by ERG for its use.