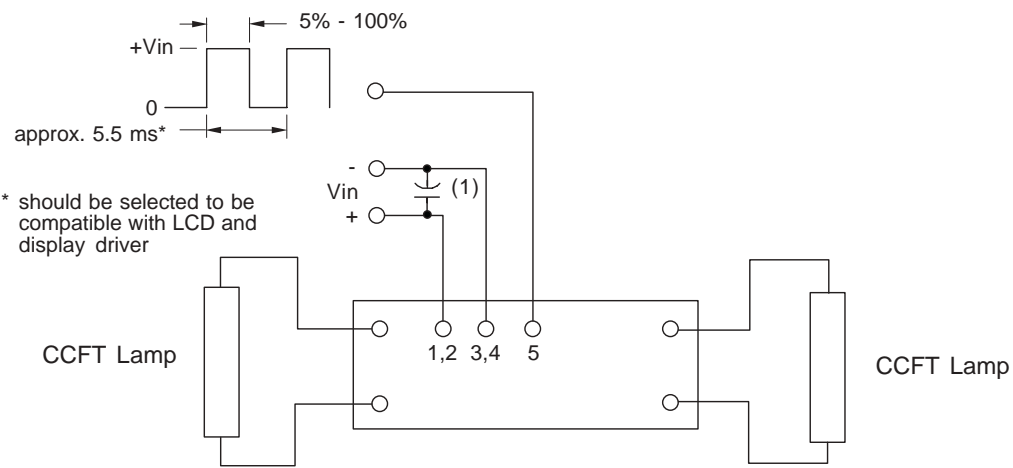


K2780

**Dimming Option**  
(Valid with the "C" jumper removed)



Pulse-Width Modulation Controlled

\* Note 1 - Input by-pass capacitor (25uf - 100uf) may be required to reduce reflected ripple.



**Endicott Research Group, Inc.**

2601 Wayne St., Endicott NY 13760  
607-754-9187



**Endicott Research Group, Inc.**

2601 Wayne St., Endicott NY 13760  
607-754-9187 Fax 607-754-9255  
<http://www.ergpower.com>

K2780

**Specifications and Applications Information**

10/17/02

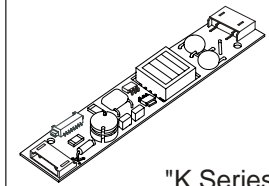
Preliminary

The ERG K2780 (**8m Class**) low profile dc to ac inverter is specifically designed to power the NEC NL10276BC12-01 LCD display module to a moderate brightness level from a +12 volt dc source.

This low profile inverter features:

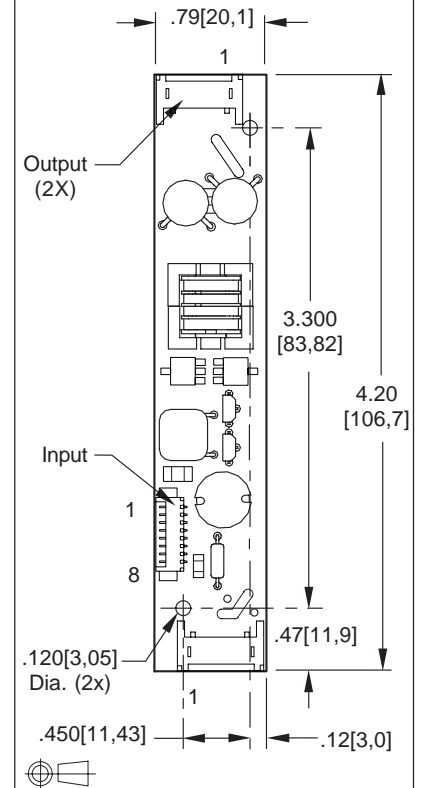
- ✓ Less Than 8 mm in Height
- ✓ LCD Module Specific
- ✓ Display Compatible Output Connector
- ✓ Firm Specifications
- ✓ Application Information
- ✓ Designed, Manufactured and Supported in the USA
- ✓ Custom Input and Output Voltages
- ✓ Flexible System Interface
- ✓ Notebook Display Head Compatible

**8m Class**  
2 Tube DC to AC Inverter



"K Series" Package

**Package Configuration**



**Pin Descriptions**

Input Connector		Output Connectors	
Molex 532-61-0890		JST SM02(8.0)B-BHS-1-TB	
Con1-1	Vin(+)	J2-1	ACout
Con1-2	Vin(+)	J2-2	N/C
Con1-3	GND	J2-3	ACout
Con1-4	GND	J3-1	ACout
Con1-5	Control	J3-2	N/C
Con1-6	N/C	J3-3	ACout
Con1-7	N/C		
Con1-8	N/C		

# K2780

## Absolute Maximum Ratings

Rating	Symbol	Value	Units
Input Voltage Range	V <sub>in</sub>	-0.3 to +13.2	V <sub>dc</sub>
Operating Temperature	T <sub>o</sub>	-0 to +70	°C
Storage Temperature	T <sub>stg</sub>	-40 to +85	°C

## Recommended Operating Conditions

Rating	Symbol	Value	Units
Input Voltage	V <sub>in</sub>	+6 to 13.2	V <sub>dc</sub>

## Electrical Characteristics

Unless otherwise noted V<sub>in</sub> = 12.00 Volts dc and T<sub>a</sub> = 25°C

Characteristic	Symbol	Min	Typ	Max	Units
Input Current	I <sub>in</sub>	-	.69	.80	A <sub>dc</sub>
Operating Frequency	F <sub>o</sub>	38	43	48	KHz
Minimum Output Voltage	V <sub>out (min)</sub>	1500	-	-	V <sub>rms</sub>
Efficiency	h	-	83	-	%
Output Current (per tube)	I <sub>out</sub>	-	5	-	ma <sub>rms</sub>
Output Voltage (When powering a load simulating the referenced display)	V <sub>out</sub>	-	685	-	V <sub>rms</sub>
Pin5 Input Current Requirement	-	-	8	-	ma <sub>dc</sub>

After tube has been allowed to warm-up for 5 minutes. Specifications subject to change without notice. External Disable Circuit shown on page 3.

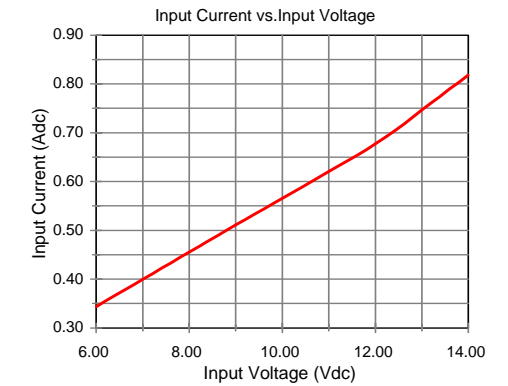
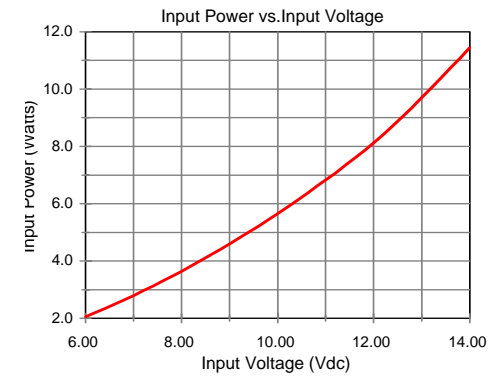
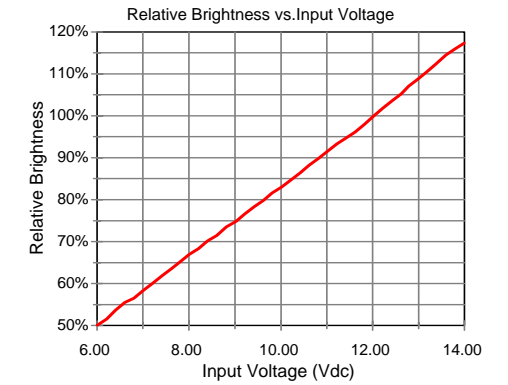
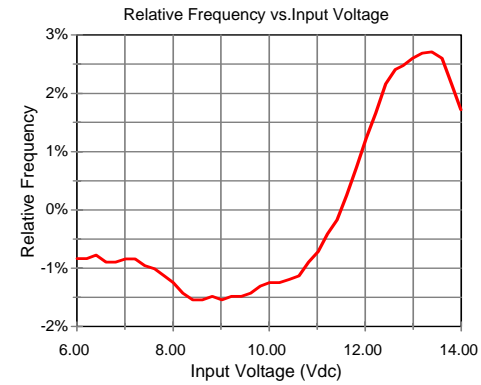


Endicott Research Group, Inc.

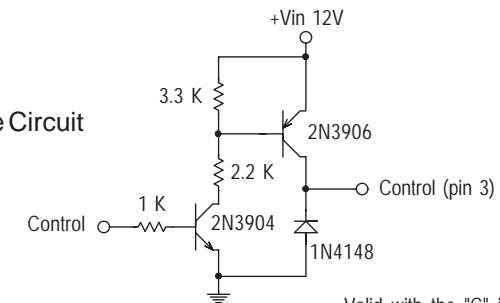
Made in USA

## Typical Performance Curves

# K2780



## Disable Circuit



Valid with the "C" jumper removed



Endicott Research Group, Inc.