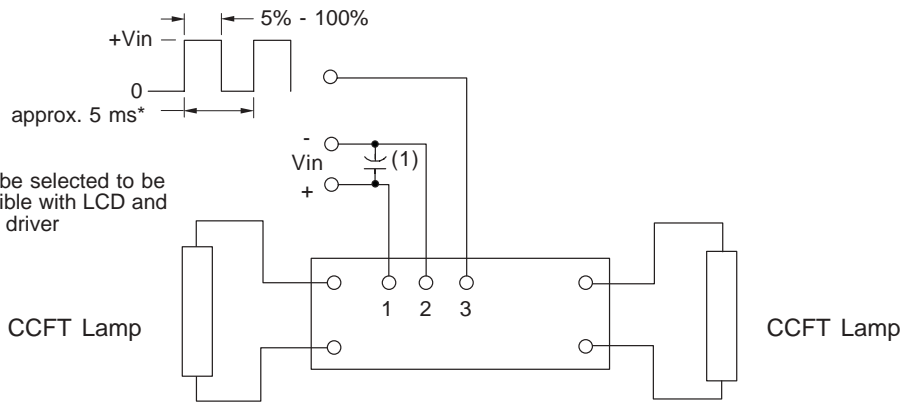


K2621

Dimming Option
(valid when the "C" jumper is removed)



* should be selected to be compatible with LCD and display driver

Pulse-Width Modulation Controlled

* Note 1 - Input by-pass capacitor (25uf - 100uf) may be required to reduce reflected ripple.



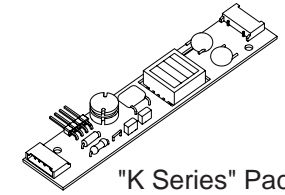
Endicott Research Group, Inc.
2601 Wayne St., Endicott NY 13760
607-754-9187



Endicott Research Group, Inc.
2601 Wayne St., Endicott NY 13760
607-754-9187 Fax 607-754-9255
<http://www.ergpower.com>

K2621

8m Class
2 Tube DC to AC Inverter



"K Series" Package

Specifications and Applications Information

05/22/02

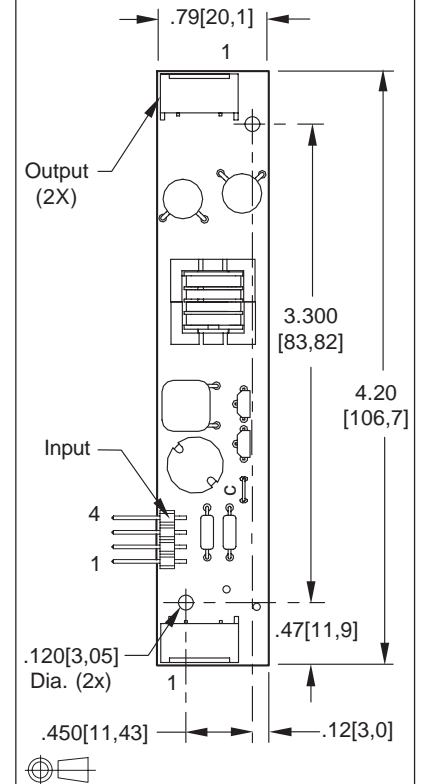
Preliminary

The ERG K2621 (**8m Class**) low profile dc to ac inverter is specifically designed to power the Kyocera KHS072V62MA-L89 LCD display module to a moderate brightness level from a +12 volt dc source.

This low profile inverter features:

- ✓ Less Than 8 mm in Height
- ✓ LCD Module Specific
- ✓ Display Compatible Output Connector
- ✓ Firm Specifications
- ✓ Application Information
- ✓ Designed, Manufactured and Supported in the USA
- ✓ Custom Input and Output Voltages
- ✓ Flexible System Interface
- ✓ Notebook Display Head Compatible

Package Configuration



Pin Descriptions

Input Connector	Output Connectors
4 pins are 0.315" [8,00] Long, 0.025" [0,63] Square and are on 0.100" [2,54] Centers.	JST SM02(8.0)B-BHS1TB
J1-1 Vin(+) J1-2 GND J1-3 Control * J1-4 N/C	J2-1 ACout J3-1 ACout J2-2 N/C J3-2 N/C J2-3 ACout J3-3 ACout
* Valid when the "C" Jumper is removed	

K2621

Absolute Maximum Ratings

Rating	Symbol	Value	Units
Input Voltage Range	V _{in}	-0.3 to +13.2	Vdc
Operating Temperature	T _o	-0 to +70	°C
Storage Temperature	T _{stg}	-40 to +85	°C

Recommended Operating Conditions

Rating	Symbol	Value	Units
Input Voltage	V _{in}	+6 to 13.2	Vdc

Electrical Characteristics

Unless otherwise noted V_{in} = 12.00 Volts dc and T_a = 25°C

Characteristic	Symbol	Min	Typ	Max	Units
Input Current	I _{in}	-	.41	.48	Adc
Operating Frequency	F _o	37	42	47	KHz
Minimum Output Voltage	V _{out} (min)	1200	-	-	Vrms
Efficiency	h	-	81	-	%
Output Current (per tube)	I _{out}	-	5.1	-	marms
Output Voltage (When powering a load simulating the referenced display)	V _{out}	-	390	-	Vrms
Pin3 Input Current Requirement	-	-	5	-	madc

After tube has been allowed to warm-up for 5 minutes.
External Disable Circuit shown on page 3.

Specifications subject to change without notice.

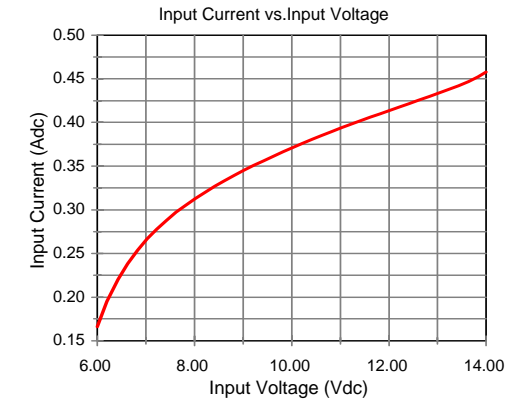
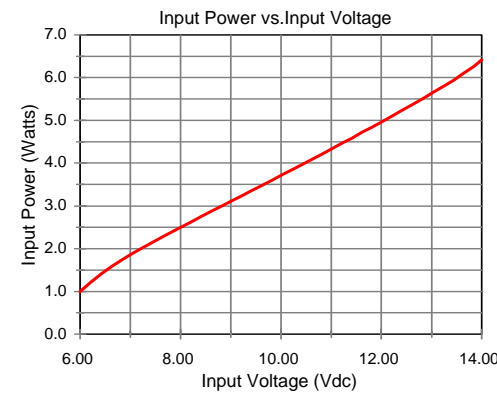
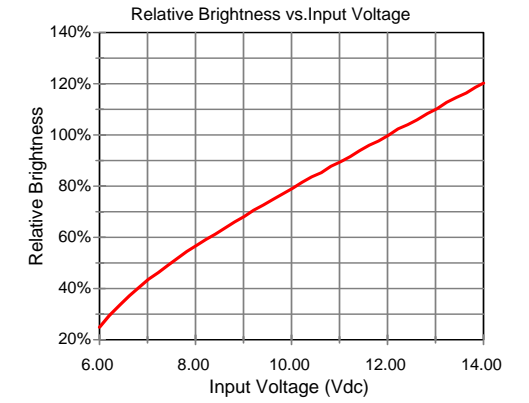
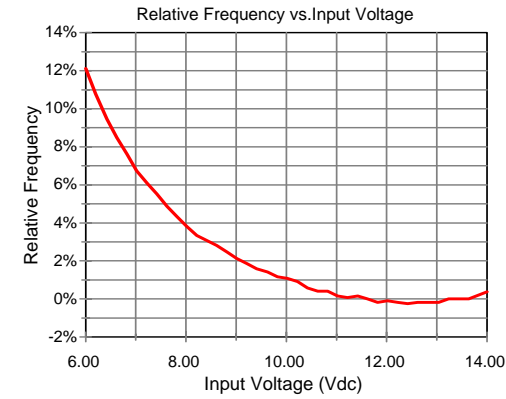


Endicott Research Group, Inc.

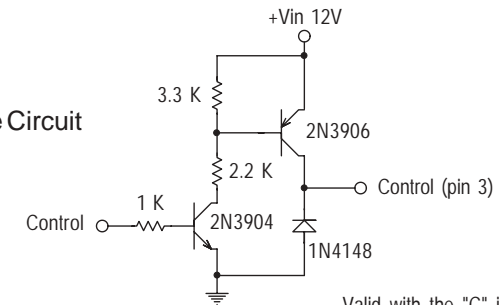
Made in USA

Typical Performance Curves

K2621



Disable Circuit



Valid with the "C" jumper removed



Endicott Research Group, Inc.