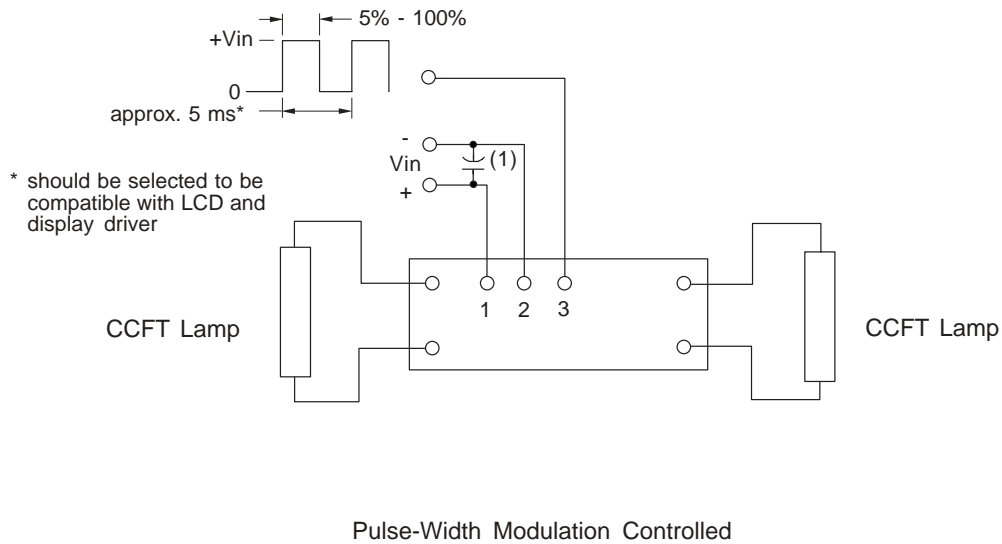


K2525

Dimming Option
(Valid with the "C" jumper removed)



* Note 1 - Input by-pass capacitor (25uf - 100uf) may be required to reduce reflected ripple.



Endicott Research Group, Inc.
2601 Wayne St., Endicott NY 13760
607-754-9187



Endicott Research Group, Inc.
2601 Wayne St., Endicott NY 13760
607-754-9187 Fax 607-754-9255
<http://www.ergpower.com>

Specifications and Applications Information

01/31/02

Preliminary

The ERG K2525 (**8m Class**) low profile dc to ac inverter is specifically designed to power the Mitsubishi AA084VB02 LCD display module to a moderate brightness level from a +12 volt dc source.

This low profile inverter features:

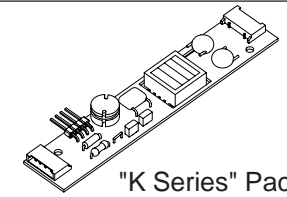
- ✓ Less Than 8 mm in Height
- ✓ LCD Module Specific
- ✓ Display Compatible Output Connector
- ✓ Firm Specifications
- ✓ Application Information
- ✓ Designed, Manufactured and Supported in the USA
- ✓ Custom Input and Output Voltages
- ✓ Flexible System Interface
- ✓ Notebook Display Head Compatible

Pin Descriptions

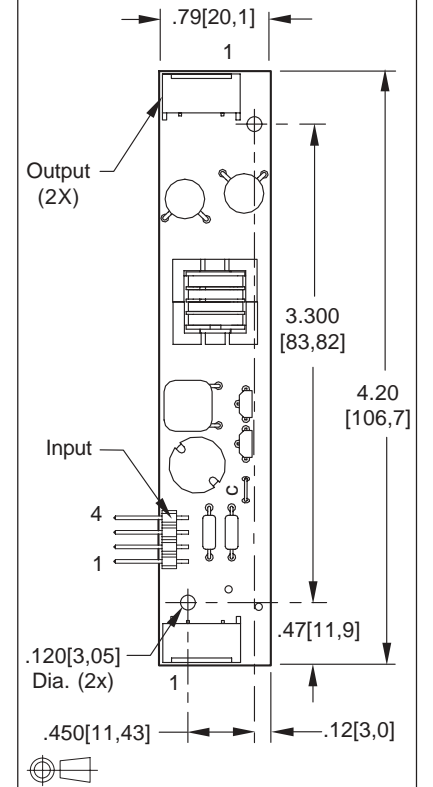
Input Connector	Output Connectors
4 pins are 0.315" [8,00] Long, 0.025" [0,63] Square and are on 0.100" [2,54] Centers.	JST SM02(8.0)B-BHS-1-TB
J1-1 Vin(+) J1-2 GND J1-3 Control J1-4 N/C	J2-1 ACout J3-1 ACout J2-2 N/C J3-2 N/C J2-3 ACout J3-3 ACout

K2525

8m Class
2 Tube DC to AC Inverter



Package Configuration



K2525

Absolute Maximum Ratings

Rating	Symbol	Value	Units
Input Voltage Range	V _{in}	-0.3 to +13.2	V _{dc}
Operating Temperature	T _o	-0 to +70	°C
Storage Temperature	T _{stg}	-40 to +85	°C

Recommended Operating Conditions

Rating	Symbol	Value	Units
Input Voltage	V _{in}	+6 to 13.2	V _{dc}

Electrical Characteristics

Unless otherwise noted V_{in} = 12.00 Volts dc and T_a = 25°C

Characteristic	Symbol	Min	Typ	Max	Units
Input Current	I _{in}	-	.48	.56	A _{dc}
Operating Frequency	F _o	39	44	49	KHz
Minimum Output Voltage	V _{out} (min)	1200	-	-	V _{rms}
Efficiency	-	-	81	-	%
Output Current	I _{out}	-	5	-	mA _{rms}
Output Voltage (When powering a load simulating the referenced display)	V _{out}	-	465	-	V _{rms}
Pin3 Input Current Requirement	-	-	6	-	mA _{dc}

After tube has been allowed to warm-up for 5 minutes. Specifications subject to change without notice. External Disable Circuit shown on page 3.

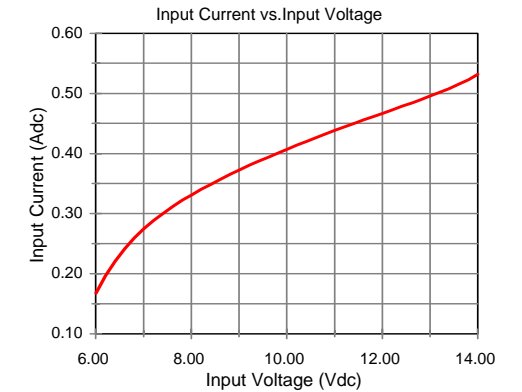
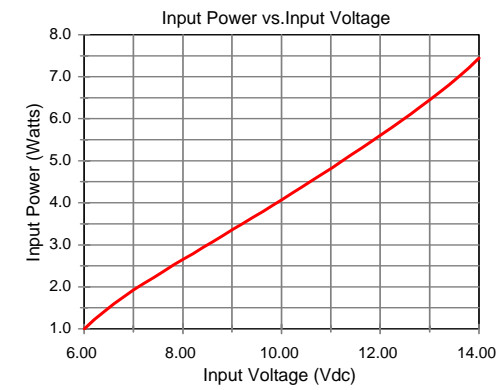
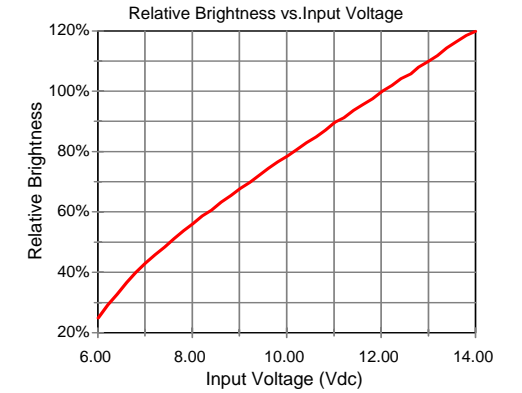
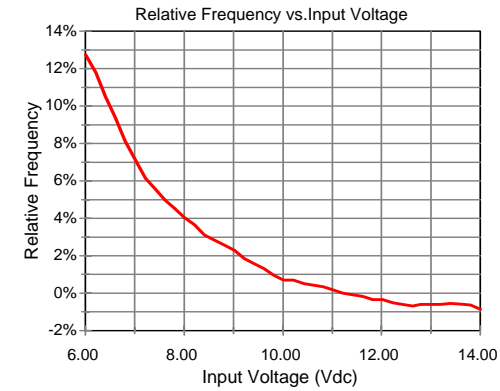


Endicott Research Group, Inc.

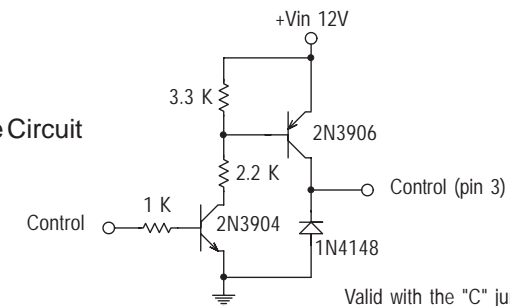
Made in USA

Typical Performance Curves

K2525



Disable Circuit



Valid with the "C" jumper removed



Endicott Research Group, Inc.