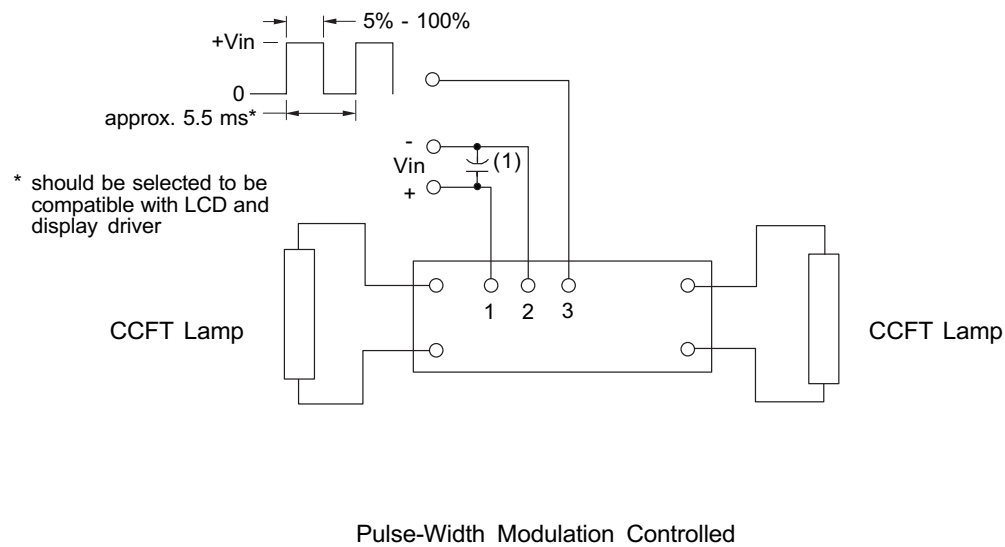


K2461

Dimming Option (valid when the "C" jumper is removed)



* Note 1 - Input by-pass capacitor (25uf - 100uf) may be required to reduce reflected ripple.



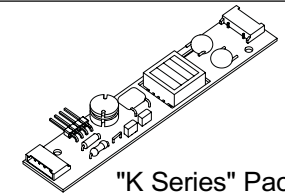
Endicott Research Group, Inc.
2601 Wayne St., Endicott NY 13760
607-754-9187



Endicott Research Group, Inc.
2601 Wayne St., Endicott NY 13760
607-754-9187 Fax 607-754-9255
<http://www.ergpower.com>

K2461

8m Class
2 Tube DC to AC Inverter



Specifications and Applications Information

12/20/00

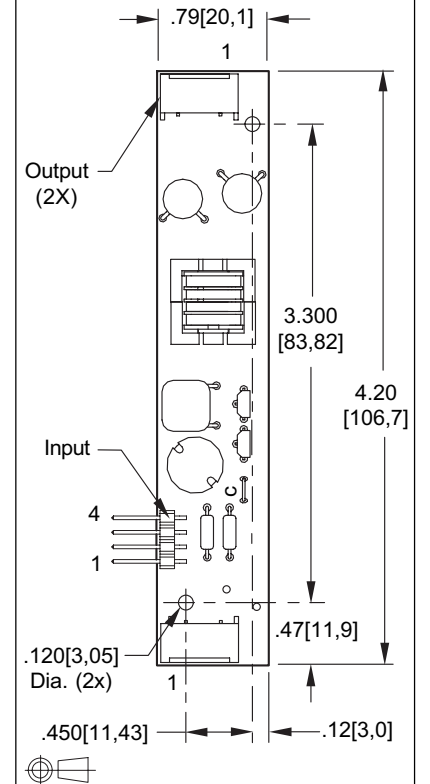
Preliminary

The ERG K2461 (8m Class) low profile dc to ac inverter is specifically designed to power the NEC NL6448BC20-08 LCD display module to a moderate brightness level from a +12 volt dc source.

This low profile inverter features:

- ✓ Less Than 8 mm in Height
- ✓ LCD Module Specific
- ✓ Display Compatible Output Connector
- ✓ Firm Specifications
- ✓ Application Information
- ✓ Designed, Manufactured and Supported in the USA
- ✓ Custom Input and Output Voltages
- ✓ Flexible System Interface
- ✓ Notebook Display Head Compatible

Package Configuration



Pin Descriptions

| Input Connector | Output Connectors | |
|---|-------------------------------------|-------------------------------------|
| 4 pins are 0.315" [8,00] Long, 0.025" [0,63] Square and are on 0.100" [2,54] Centers. | JST SM02(8.0)B-BHS-1-TB | |
| J1-1 Vin(+) J1-2 GND J1-3 Control* J1-4 NC | J2-1 ACout J2-2 NC J2-3 ACout | J3-1 ACout J3-2 NC J3-3 ACout |
| * Valid with "C" jumper removed | | |

K2461

Absolute Maximum Ratings

| Rating | Symbol | Value | Units |
|-----------------------|------------------|---------------|-------|
| Input Voltage Range | V _{in} | -0.3 to +13.2 | Vdc |
| Operating Temperature | T _o | -0 to +70 | °C |
| Storage Temperature | T _{stg} | -40 to +85 | °C |

Recommended Operating Conditions

| Rating | Symbol | Value | Units |
|---------------|-----------------|------------|-------|
| Input Voltage | V _{in} | +6 to 13.2 | Vdc |

Electrical Characteristics

Unless otherwise noted V_{in} = 12.00 Volts dc and T_a = 25 °C

| Characteristic | Symbol | Min | Typ | Max | Units |
|---|------------------------|------|-----|-----|-------|
| Input Current | I _{in} | - | .41 | .48 | Adc |
| Operating Frequency | F _o | 38 | 43 | 48 | KHz |
| Minimum Output Voltage | V _{out} (min) | 1000 | - | - | Vrms |
| Efficiency | η | - | 83 | - | % |
| Output Current (per tube) | I _{out} | - | 5.1 | - | marms |
| Output Voltage (When powering a load simulating the referenced display.) | V _{out} | - | 400 | - | Vrms |
| Pin3 Input Current Requirement | - | - | 5 | - | madc |

After tube has been allowed to warm-up for 5 minutes.
External Disable Circuit shown on page 3.

Specifications subject to change without notice.

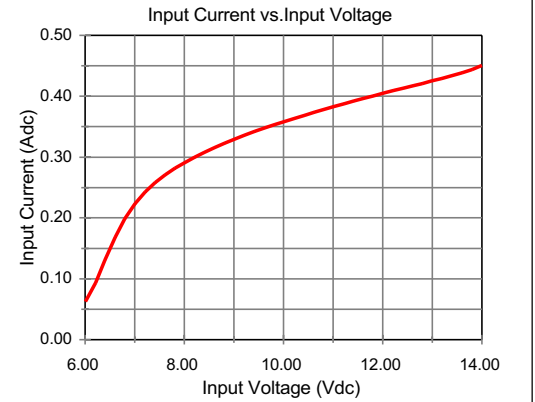
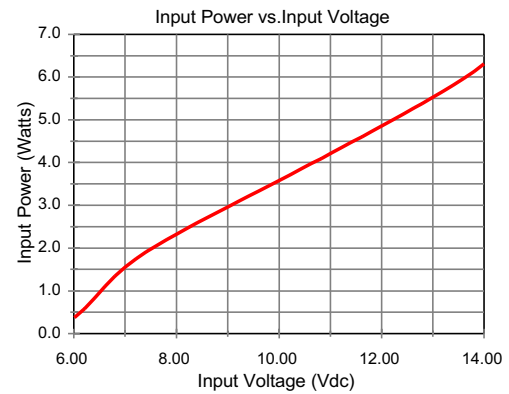
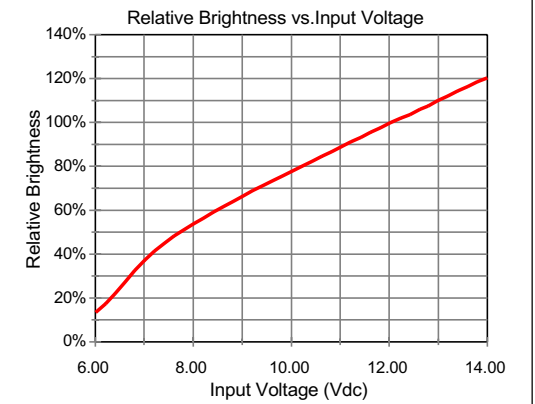
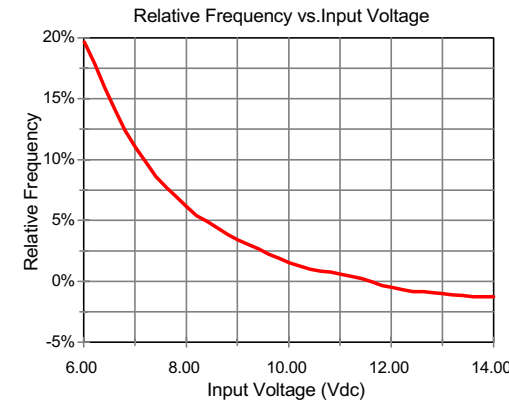


Endicott Research Group, Inc.

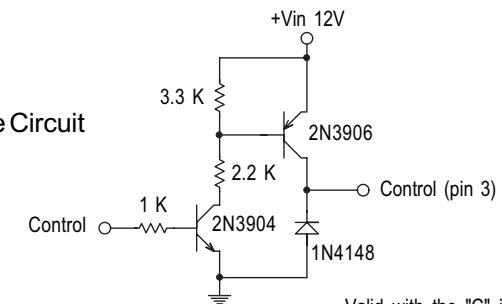
Made in USA

Typical Performance Curves

K2461



Disable Circuit



Valid with the "C" jumper removed



Endicott Research Group, Inc.