



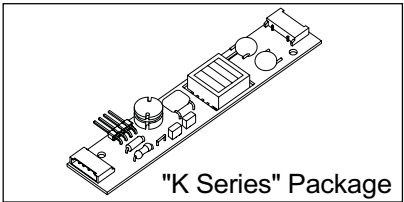
Endicott Research Group, Inc.

2601 Wayne St., Endicott NY 13760
 607-754-9187 Fax 607-754-9255
<http://www.ergpower.com>

K2392

Specifications and Applications Information
 02/05/01 Preliminary

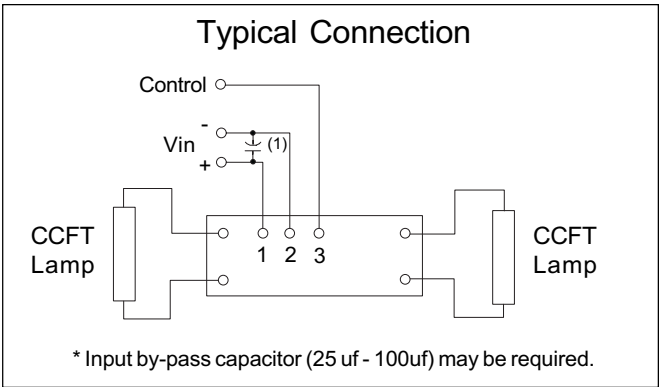
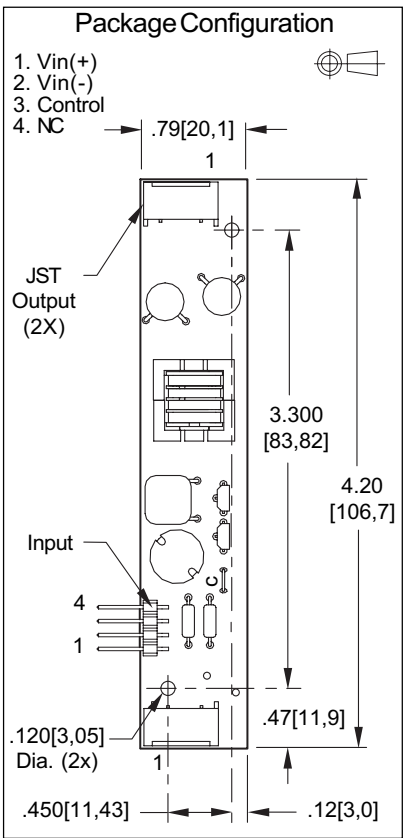
8m Class
2 Tube DC to AC Inverter



The ERG K2392 (*8m Class*) low profile dc to ac inverter is specifically designed to power the Bi-Search BLP064V1-T LCD display module to a moderate brightness level from a +12 volt dc source.

This low profile inverter features:

- ✓ Less Than 8 mm in Height
- ✓ LCD Module Specific
- ✓ Display Compatible Output Connector
- ✓ Firm Specifications
- ✓ Application Information
- ✓ Designed, Manufactured and Supported in the USA
- ✓ Custom Input and Output Voltages
- ✓ Flexible System Interface
- ✓ Notebook Display Head Compatible



Electrical Characteristics (Nominal)	
Input Current	.39 Adc
No Load Output Voltage (Min.)	1200 Vrms
Output Current (per tube)	5.0 mArms
Tube Voltage	355 Vrms
(V _{IN} = 12.0 Volts DC, T _A = 25 °C)	