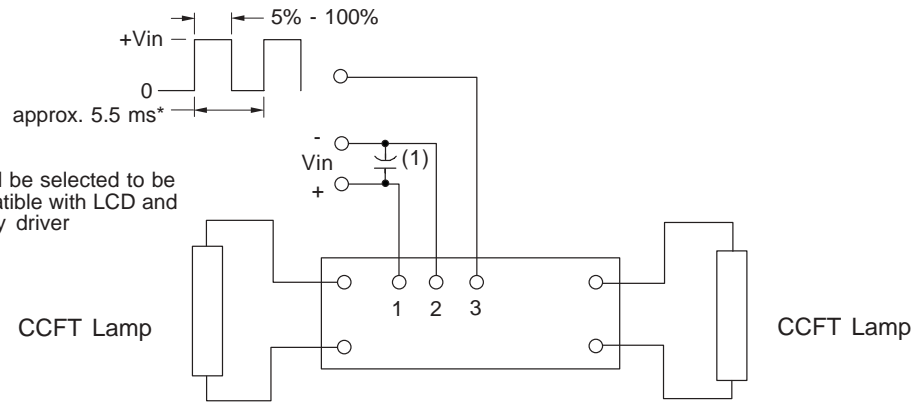


K2361

Dimming Option



* should be selected to be compatible with LCD and display driver

Pulse-Width Modulation Controlled

* Note 1 - Input by-pass capacitor (25uf - 100uf) may be required to reduce reflected ripple.



Endicott Research Group, Inc.

2601 Wayne St., Endicott NY 13760
607-754-9187



Endicott Research Group, Inc.

2601 Wayne St., Endicott NY 13760
607-754-9187 Fax 607-754-9255
<http://www.ergpower.com>

K2361

Specifications and Applications Information

01/17/02

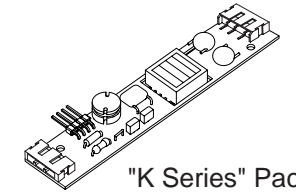
Preliminary

The ERG K2361 (**8m Class**) low profile dc to ac inverter is specifically designed to power the Kyocera KCB104SV2AA-A20/VG2BA-A03 LCD display module to a moderate brightness level from a +12 volt dc source.

This low profile inverter features:

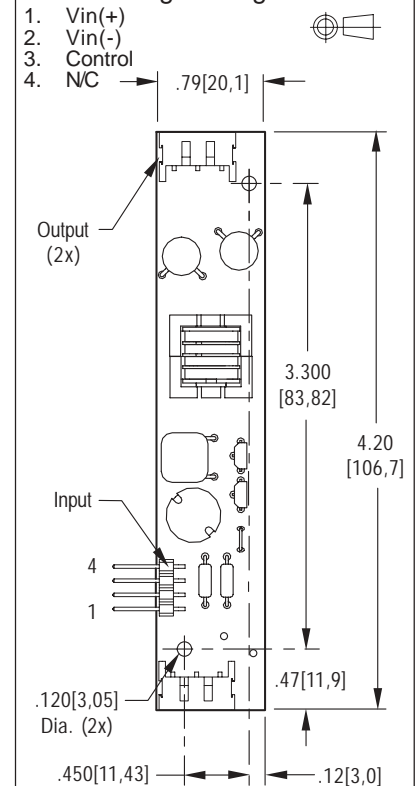
- ✓ Less Than 8 mm in Height
- ✓ LCD Module Specific
- ✓ Display Compatible Output Connector
- ✓ Firm Specifications
- ✓ Application Information
- ✓ Designed, Manufactured and Supported in the USA
- ✓ Custom Input and Output Voltages
- ✓ Flexible System Interface
- ✓ Notebook Display Head Compatible

8m Class
2 Tube DC to AC Inverter



"K Series" Package

Package Configuration



Pin Descriptions

Input Connector	Output Connectors	
4 pins are 0.315" [8,00] Long, 0.025" [0,63] Square and are on 0.100" [2,54] Centers.	Honda QZ-19-A3MYL	
J1-1 Vin(+) J1-2 GND J1-3 Control J1-4 N/C	J2-1 ACout J2-2 N/C J2-3 ACout	J3-1 ACout J3-2 N/C J3-3 ACout

K2361

Absolute Maximum Ratings

Rating	Symbol	Value	Units
Input Voltage Range	V _{in}	-0.3 to +13.2	V _{dc}
Operating Temperature	T _o	-0 to +70	°C
Storage Temperature	T _{stg}	-40 to +85	°C

Recommended Operating Conditions

Rating	Symbol	Value	Units
Input Voltage	V _{in}	+6 to 13.2	V _{dc}

Electrical Characteristics

Unless otherwise noted V_{in} = 12.00 Volts dc and T_a = 25°C

Characteristic	Symbol	Min	Typ	Max	Units
Input Current	I _{in}	-	.54	.63	A _{dc}
Operating Frequency	F _o	38	43	48	KHz
Minimum Output Voltage	V _{out} (min)	1270	-	-	V _{rms}
Efficiency	-	-	84	-	%
Output Current	I _{out}	-	5.2	-	mA _{rms}
Output Voltage (When powering a load simulating the referenced display)	V _{out}	-	520	-	V _{rms}
Pin3 Input Current Requirement	-	-	7	-	mA _{dc}

After tube has been allowed to warm-up for 5 minutes.
External Disable Circuit shown on page 3.

Specifications subject to change without notice.

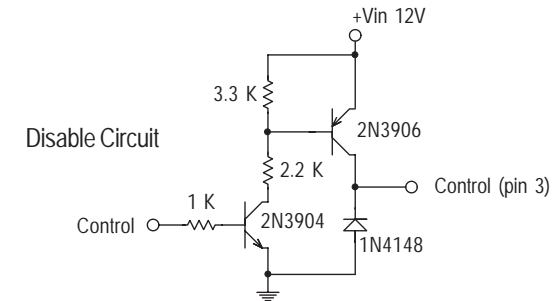
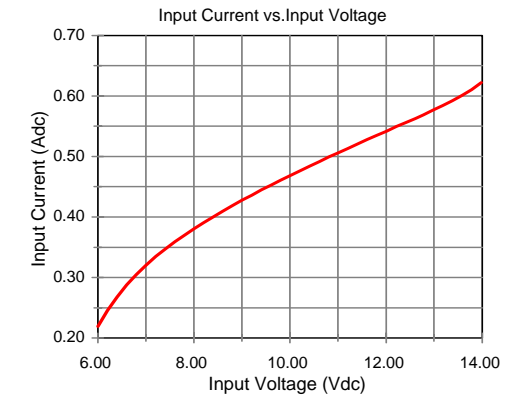
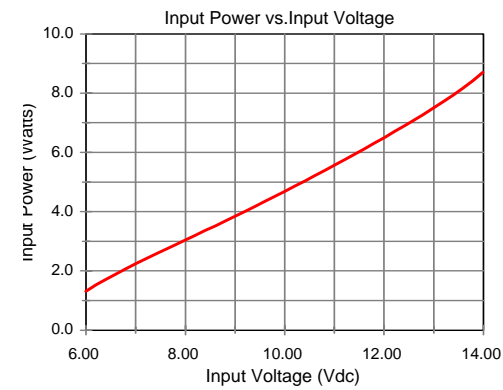
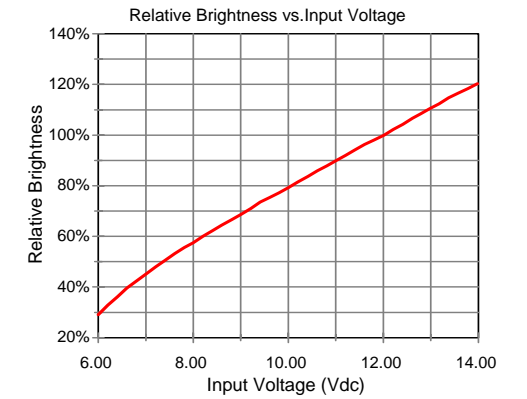
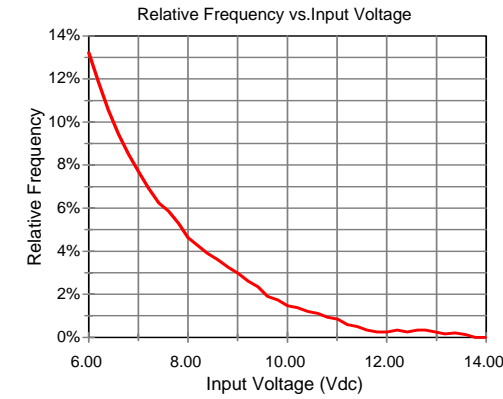


Endicott Research Group, Inc.

Made in USA

Typical Performance Curves

K2361



Endicott Research Group, Inc.