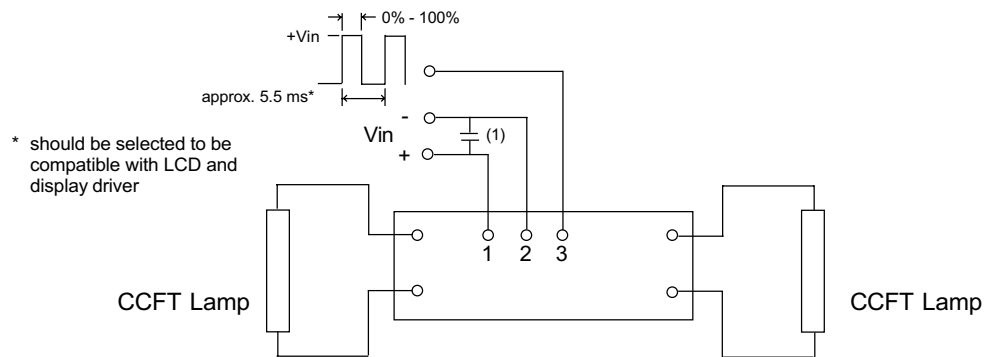


K1918

Dimming Option
(valid when the "C" jumper is removed)



* should be selected to be compatible with LCD and display driver

Pulse-Width Modulation Controlled

* Note 1 - Input by-pass capacitor (25uf - 100uf) may be required to reduce reflected ripple.



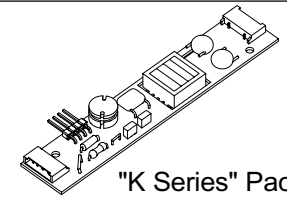
Endicott Research Group, Inc.
2601 Wayne St., Endicott NY 13760
607-754-9187



Endicott Research Group, Inc.
2601 Wayne St., Endicott NY 13760
607-754-9187 Fax 607-754-9255
<http://www.ergpower.com>

K1918

8m Class
2 Tube DC to AC Inverter



Specifications and Applications Information

11/08/99

Preliminary

The ERG K1918 (*8m Class*) low profile dc to ac inverter is specifically designed to power the Sharp LQ10D341/344/345/421 or LQ104V1DG11 LCD display module to a moderate brightness level from a +12 volt dc source.

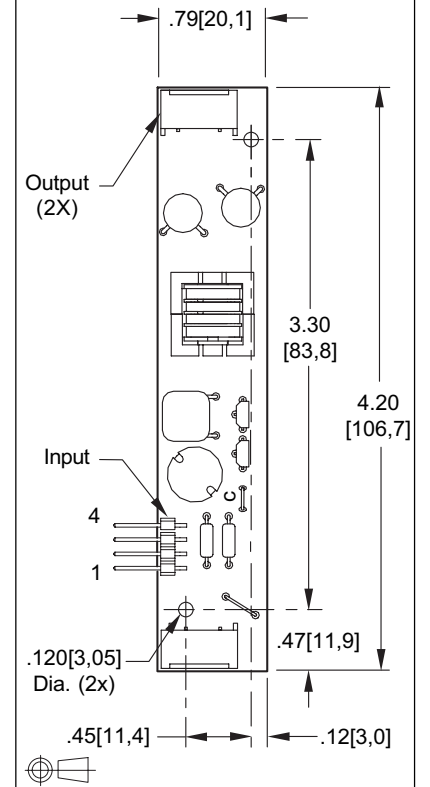
This low profile inverter features:

- ✓ Less Than 8 mm in Height
- ✓ LCD Module Specific
- ✓ Display Compatible Output Connector
- ✓ Firm Specifications
- ✓ Application Information
- ✓ Designed, Manufactured and Supported in the USA
- ✓ Custom Input and Output Voltages
- ✓ Flexible System Interface
- ✓ Notebook Display Head Compatible

Pin Descriptions

Input Connector	Output Connectors	
4 pins are 0.315" [8,00] Long, 0.025" [0,63] Square and are on 0.100" [2,54] Centers.	JST SM02(8.0)B-BHS1TB	
J1-1 Vin(+) J1-2 GND J1-3 Control * J1-4 NC	J2-1 ACout J2-2 NC J2-3 ACout	J3-1 ACout J3-2 NC J3-3 ACout
* Valid when the "C" Jumper is removed		

Package Configuration



Absolute Maximum Ratings

Rating	Symbol	Value	Units
Input Voltage Range	V_{in}	-0.3 to +15.0	Vdc
Operating Temperature	T_o	0 to +70	°C
Storage Temperature	T_{stg}	-40 to +85	°C

Recommended Operating Conditions

Rating	Symbol	Value	Units
Input Voltage	V_{in}	+6.0 to 13.2	Vdc

Electrical Characteristics

Unless otherwise noted $V_{in} = 12.00$ Volts dc and $T_a = 25$ °C

Characteristic	Symbol	Min	Typ	Max	Units
Input Current	I_{in}	-	0.610	0.675	Adc
Operating Frequency	F_o	50	58	65	KHz
Minimum Output Voltage	V_{out}	1250	-	-	V_{rms}
Efficiency	η	-	82	-	%
Output Current (per tube)	I_{out}	-	6.3	-	marms
Output Voltage (per tube)	V_{out}	-	475	-	V_{rms}

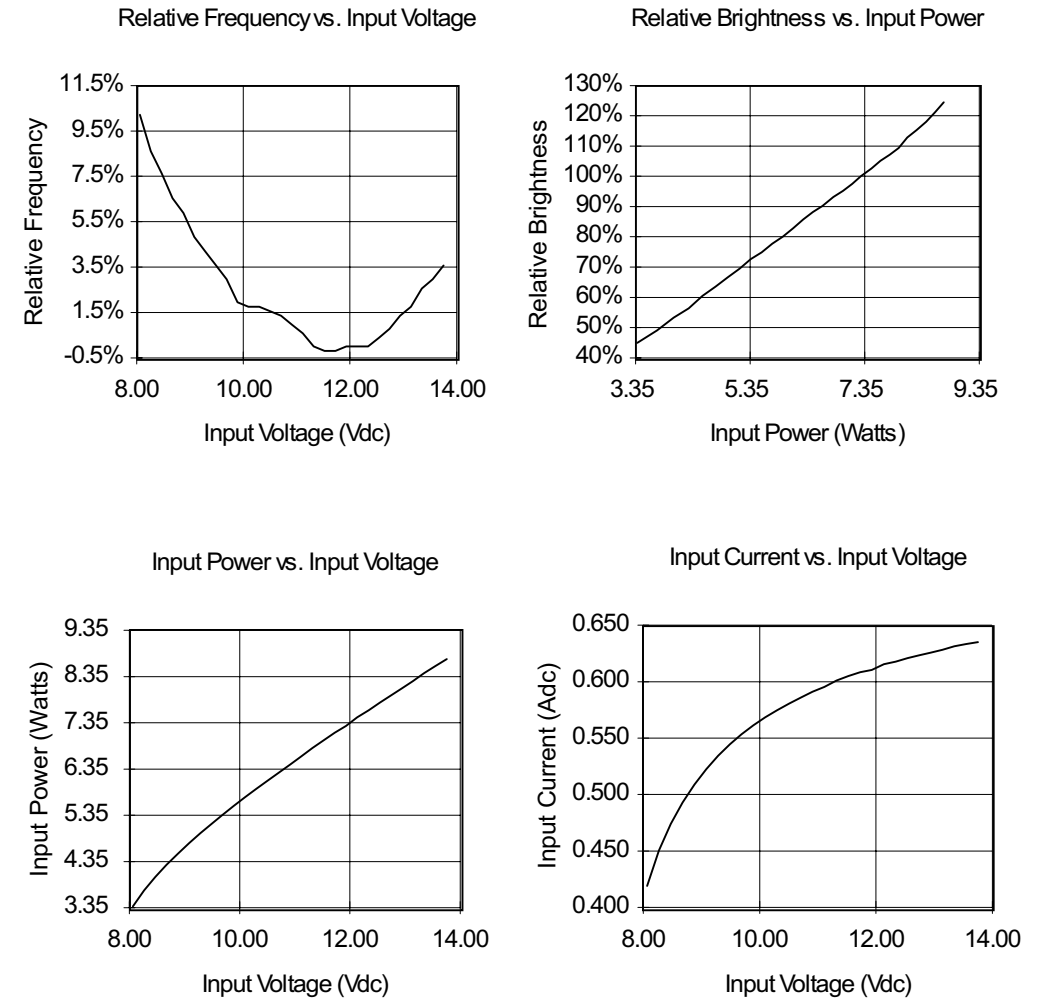
After tube has been allowed to warm-up for 5 minutes Specifications subject to change without notice



Endicott Research Group, Inc.

Made in USA

Typical Performance Curves



Endicott Research Group, Inc.