



Endicott Research Group, Inc.

2601 Wayne St., Endicott NY 13760

607-754-9187 Fax 607-754-9255

http://www.ergpower.com

## Specifications and Applications Information

8/26/02

Preliminary

The JLA Series of Smart Force™ DC to AC Inverters are designed to match the unique characteristics of most imported Electroluminescent Lamps used for backlighting LCD modules. This pre-designed series of inverters makes matching Electroluminescent Lamps, DC to AC Inverters and applications very straightforward.

### Product Features

- Different Package Sizes
- Standard Part Numbers
- Different Output (brightness) Levels
- Easy Unit Load Part Numbering System
- Straightforward Inverter and Lamp Matching
- Compensating Output Voltage and Frequency Extending Useful Life
- Application Support

### Part Numbering System

JLAXX-Y-Z[ ]

Inverter Series Type

Nominal DC Input Voltage  
5, 9, 12, 15, 24

Output Code

Total number of Unit Loads

Package Type  
(blank for standard package)

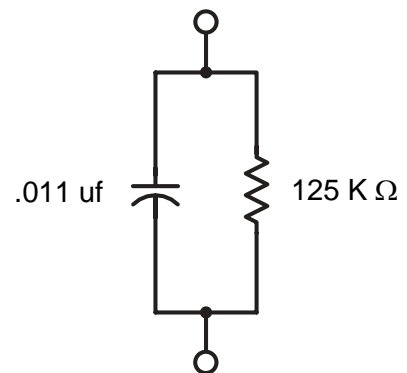
Example: The part number for a 5 volt input P package inverter to power a 20 in<sup>2</sup> EL lamp to a moderate brightness would be JLA05-2-5P

# JLA Series

## Smart Force™ DC to AC Inverters

### Unit Loads

Each unit load represents approximately 4 in<sup>2</sup> (25,8 cm<sup>2</sup>) of Electroluminescent Lamp and should be used in the selection and testing of the inverter.



4 in<sup>2</sup> (25,8 cm<sup>2</sup>) EL Lamp 400 Hz, (phase angle of approximately 73.9°)

### Output Code

Each output code represents a different output voltage (brightness level). The output code should be selected to provide the best brightness and life for the application.

Output Code	Output Voltage	Relative Brightness
D	60 Vrms	Very Dim
1	80 Vrms	Dim
2	100 Vrms	Moderate
3	120 Vrms	Bright

### Validation

New inverter and EL lamp designs should be validated for proper matching. With the EL lamp connected to the inverter and the nominal input voltage applied the output voltage and frequency should be within ±15 % of nominal.

# JLA Series

## Electrical Specifications



### General Specifications

(with nominal input voltage applied and powering the applicable equivalent load)

Operating Temperature ..... -25° to +85° C

Input Voltage Tolerance ..... +25%, -40%

Output Voltage Tolerance ..... ±10%

Frequency Tolerance ..... ±10%

**Note:** These inverters should never be powered without the load attached.

JLA Series Standard and P Package Overview						
Parameter	Symbol	Units	Output Code			
			D	1	2	3
Input Power per Unit Load	Pin	Watts	*0.150	*0.200	*0.300	*0.400
Minimum Input Voltage	Vin(min)	%	-40	-40	-40	-40
Maximum Input Voltage	Vin(max)	%	+25	+25	+25	+25
Minimum Operating Temperature	T(min)	°C	-25	-25	-25	-25
Maximum Operating Temperature	T(max)	°C	+85	+85	+85	+85
Nominal Output Voltage	Vout	Vrms	60	80	100	120
Nominal Operating Frequency	Fout	Hertz	400	400	400	400
Maximum Number of Unit Loads	Lmax	--	20	13	9	8
Output Voltage Tolerance	--	%	±10	±10	±10	±10
Operating Frequency Tolerance	--	%	±10	±10	±10	±10
Output Current per Unit Load	Iout	amperes	1.7	2.3	2.9	3.5

\* Input power may increase by 10% on low input voltage and/or single unit load inverters

### Available Packages

#### Standard Package

1. +Vin  
2. Common  
3. Vout

#### P Package

1. +Vin  
2. Common  
3. Vout

#### H Package

1. +Vin  
2. -Vin  
3. Vout  
4. Vout

#### Typical Relative Brightness vs. Time Performance Curve

Note: The standard package, "P" package and "H" package are not pin for pin compatible.