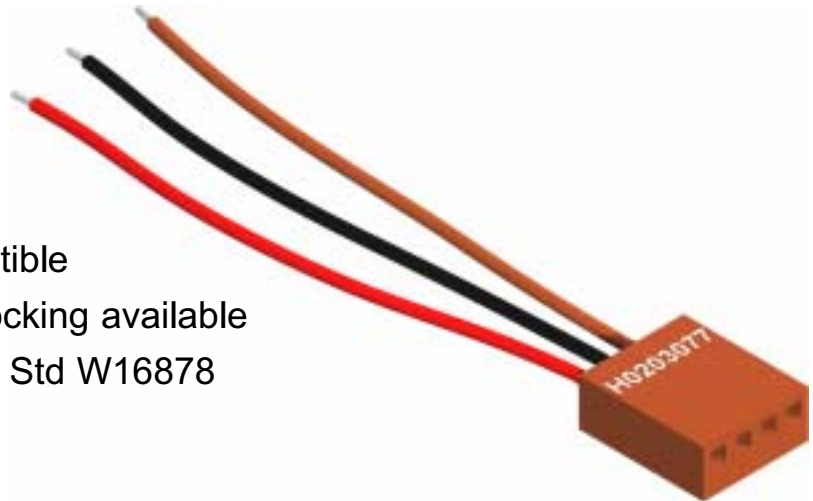


# Input Wire Harness for the 8m Class Dc to Ac Inverters

- 8m Inverter Compatible
- Locking and Non-locking available
- #24 AWG Wire, Mil Std W16878



## H0103077

Product Type (Harness) —

Wire Length (mm) —

Connectors Type —

Number of Wires —

Connector Type	End A	End B
01	Molex 22-01-3047	None
02	Molex 22-01-2041	None



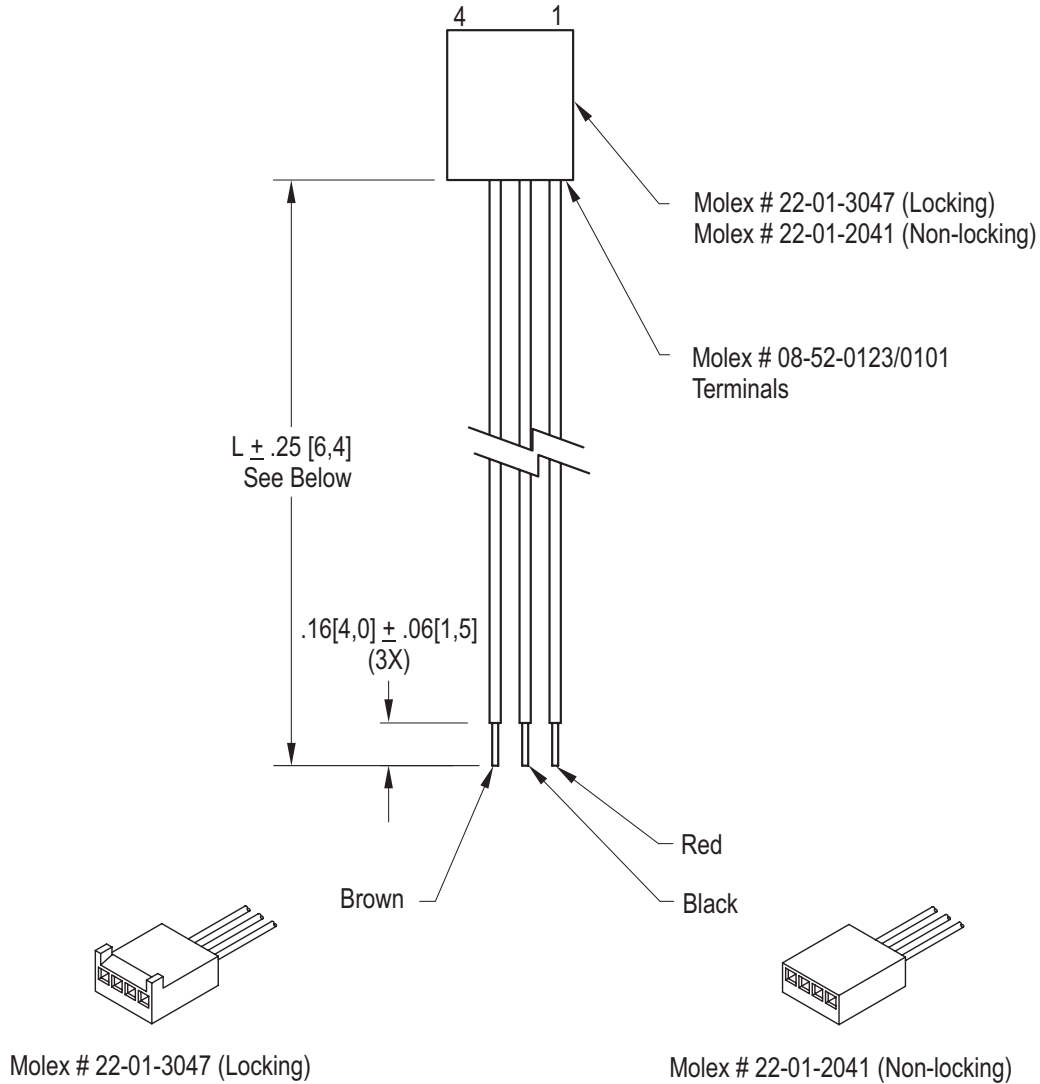
Endicott Research Group, Inc.

2601 Wayne Street, Endicott, NY 13760

607-754-9187 Fax 607-754-9255

<http://www.ergpower.com>

# Input Wire Harness for the 8m Class Dc to Ac Inverters



Standard Lengths are: 3.0" [77 mm]  
6.0" [152 mm]  
9.0" [229 mm]  
12.0" [305 mm]



Endicott Research Group, Inc.  
2601 Wayne Street, Endicott, NY 13760  
607-754-9187 Fax 607-754-9255  
<http://www.ergpower.com>