



Endicott Research Group, Inc.

2601 Wayne St., Endicott NY 13760
 607-754-9187 Fax 607-754-9255
<http://www.ergpower.com>

E2005

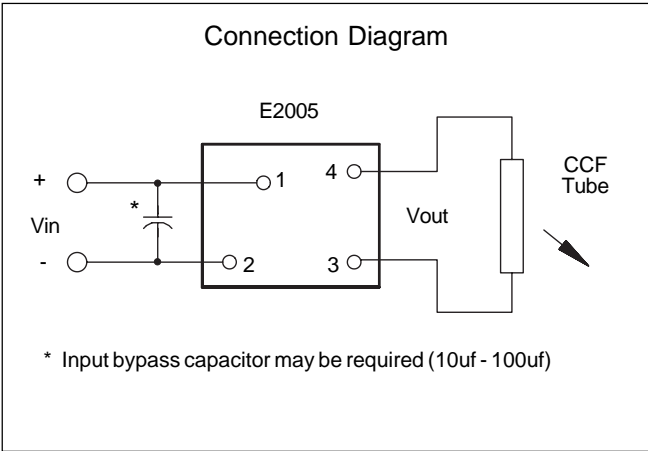
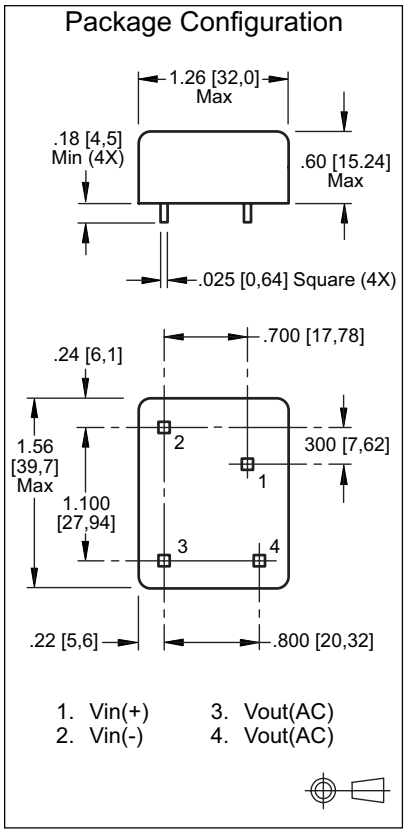
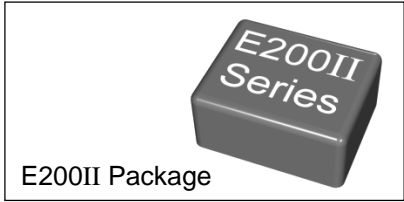
Specifications and Applications Information
 09/02/97 Preliminary

Single Tube DC to AC Inverter

The E2005 (E200II Series) dc to ac inverter is specifically designed to power the Sharp LQ9D340 LCD display to a moderate brightness level from a +5 volt dc source.

The E2005's small size, encapsulated package makes it the ideal power source for applications where small size, high efficiency and reliability are critical.

This inverter is designed to satisfy the most common cold-cathode lighting requirements for the Sharp LQ9D340 display. Custom units, providing different inputs, outputs or package refinements are available.



Electrical Characteristics (Nominal)	
Input Current	.39 Adc
No Load Output Voltage	1000 Vrms
Output Current	4.5 mArms
Tube Voltage	370 Vrms
(V _{IN} = 5.0 Volts DC, T _A = 25 °C)	