



Endicott Research Group, Inc.

2601 Wayne St., Endicott NY 13760
 607-754-9187 Fax 607-754-9255
<http://www.ergpower.com>

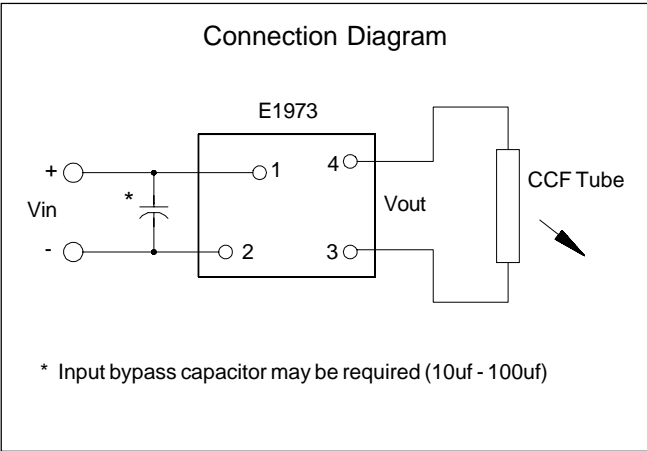
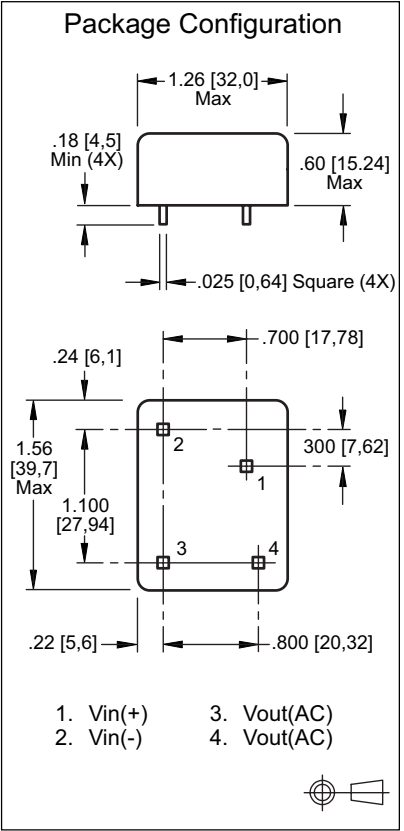
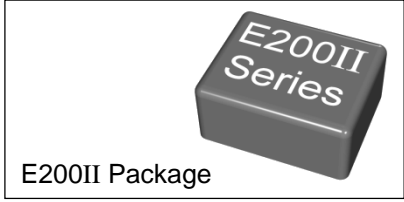
E1973

Specifications and Applications Information
 02/26/97 Preliminary

Single Tube DC to AC Inverter

The E1973 (E200II Series) dc to ac inverter is specifically designed to power the Sharp LQ10D367 LCD display to a moderate brightness level from a +12 volt dc source.

This inverter is designed to satisfy the most common cold-cathode lighting requirements for the Sharp LQ10D367 display. Custom units, providing different inputs, outputs or package refinements are available.



Electrical Characteristics (Nominal)	
Input Current	.29 Adc
No Load Output Voltage	1400 Vrms
Output Current	6.0 mArms
Tube Voltage	500 Vrms
(V _{IN} = 12.0 Volts DC, T _A = 25 °C)	