

E1958

THIS PAGE LEFT BLANK INTENTIONALLY



Endicott Research Group, Inc.

2601 Wayne St., Endicott NY 13760

607-754-9187 Fax 607-754-9255

http://www.ergpower.com

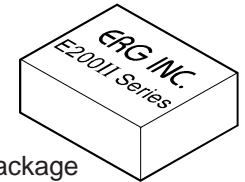
E1958

Specifications and Applications Information

10/08/02

Preliminary

Two Tube DC to AC Inverter



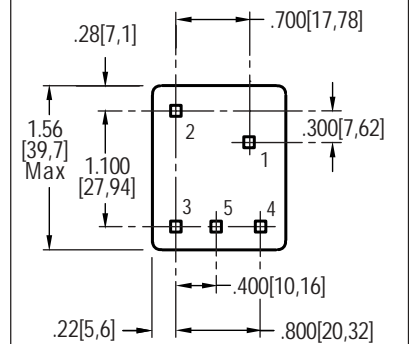
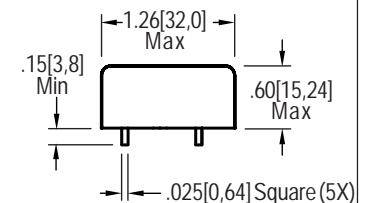
E200 II Package

The E1958 (E200II Series) dc to ac inverter is specifically designed to power the Sharp LQ64D341/343 LCD display module to a nominal brightness level from a +12 Volt DC source.

The E1958's small size and encapsulated package makes it the ideal power source for applications where small size, high efficiency and reliability are critical.

This inverter is designed to satisfy the most common cold-cathode lighting requirements for the Sharp LQ64D341/343 display. Custom units, providing different inputs, outputs or package refinements are available.

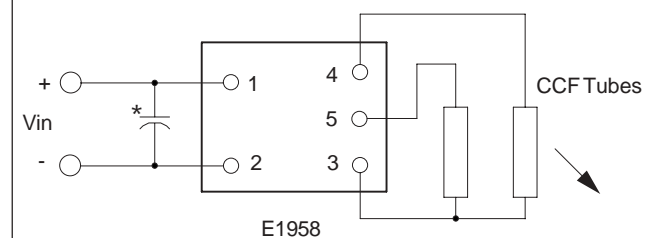
Package Configuration



- 1. Vin(+)
- 2. Vin(-)
- 3. Common
- 4. Vout(AC)
- 5. Vout(AC)



Connection Diagram



* Input bypass capacitor may be required (10uf - 100uf)



Endicott Research Group, Inc.

2601 Wayne St., Endicott NY 13760

607-754-9187

Made in U.S.A.

E1958

Absolute Maximum Ratings

Rating	Symbol	Value	Units
Input Voltage Range	V _{in}	-0.3 to +13.2	Vdc
Operating Temperature	T _o	-0 to +70	°C
Storage Temperature	T _{stg}	-40 to +85	°C

Recommended Operating Conditions

Rating	Symbol	Value	Units
Input Voltage	V _{in}	+6 to 13.2	Vdc

Electrical Characteristics

Unless otherwise noted V_{in} = 12.00 Volts dc and T_a = 25°C

Characteristic	Symbol	Min	Typ	Max	Units
Input Current	I _{in}	-	.44	.49	Adc
Operating Frequency	F _o	32	37	42	KHz
Minimum Output Voltage	V _{out} (min)	1200	-	-	Vrms
Efficiency	h	-	77	-	%
Output Current (per tube)	I _{out}	-	6.0	-	marms
Output Voltage (When powering a Sharp LQ64D341 display)	V _{out}	-	340	-	Vrms

After tube has been allowed to warm-up for 5 minutes
External Disable Circuit shown on page 3.

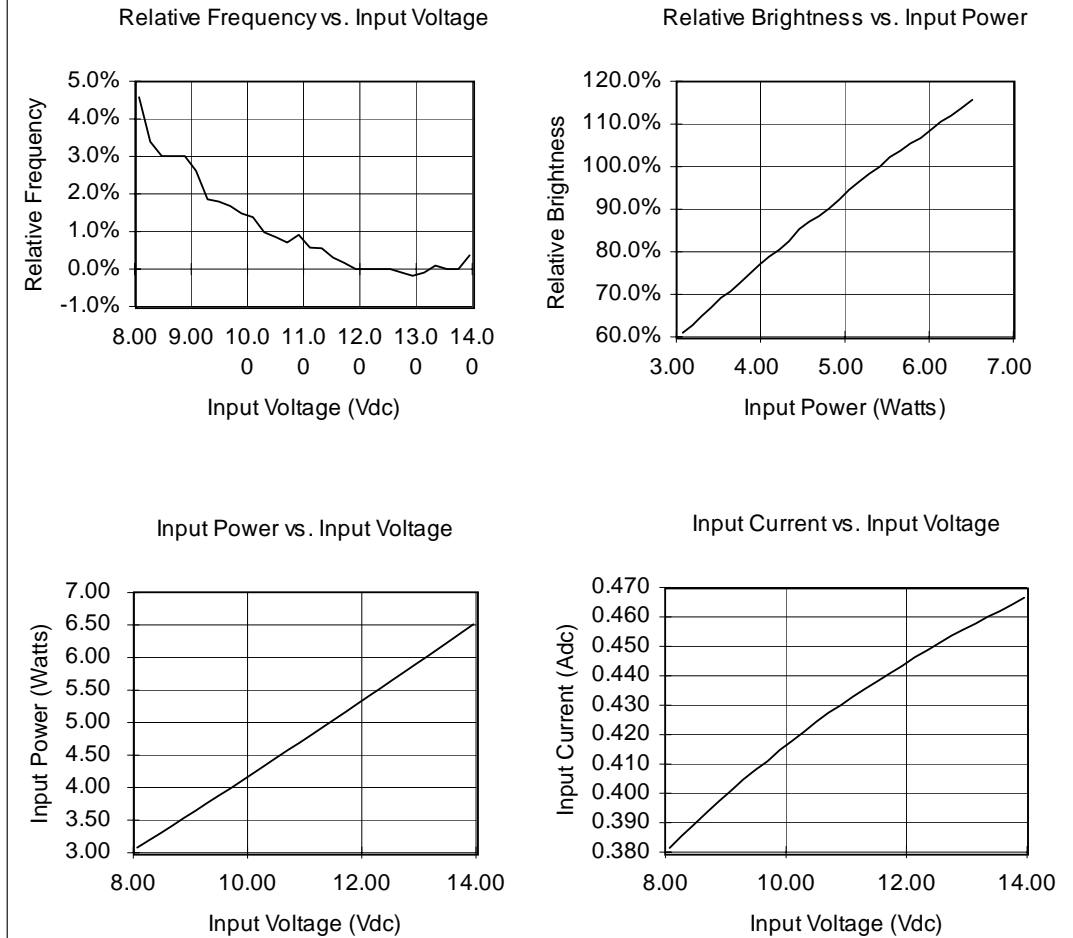
Specifications subject to change without notice.



Endicott Research Group, Inc.

E1958

Typical Performance Curves



Endicott Research Group, Inc.