



**Endicott Research Group, Inc.**

2601 Wayne St., Endicott NY 13760  
 607-754-9187 Fax 607-754-9255  
<http://www.ergpower.com>

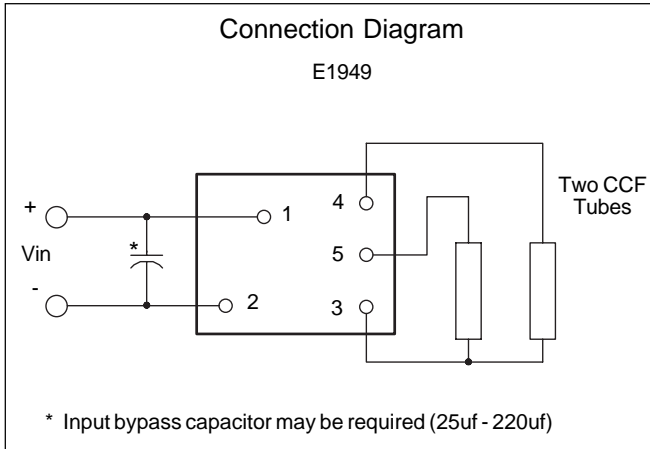
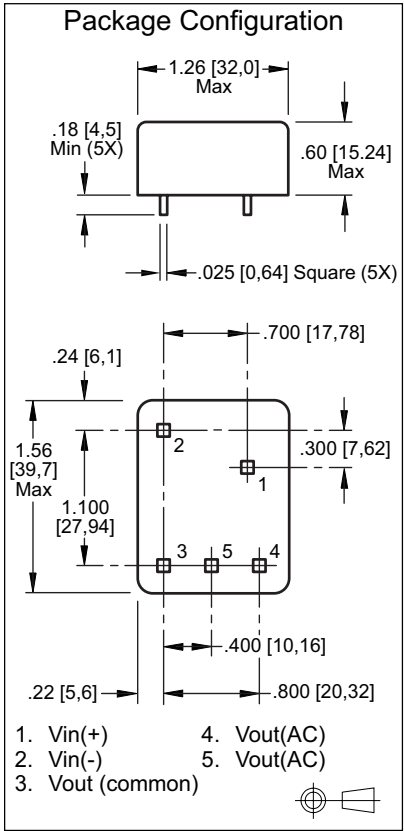
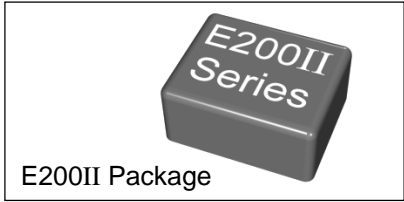
**E1949**

**Specifications and Applications Information**  
 3/27/97 Preliminary

**Two Tube DC to AC Inverter**

The E1949 (E200II Series) dc to ac inverter is specifically designed to power the Sharp LQ12S31 LCD display to a nominal brightness level from a +12 volt dc source.

This inverter is designed to satisfy the most common cold-cathode lighting requirements for the Sharp LQ12S31 display. Custom units, providing different inputs, outputs or package refinements are available.



Electrical Characteristics (Nominal)	
Input Current	.59 Adc
No Load Output Voltage	1200 Vrms
Output Current/Tube	5.5 mArms
Tube Voltage	550 Vrms
(V <sub>IN</sub> = 12.0 Volts DC, T <sub>A</sub> = 25 °C)	