



**Endicott Research Group, Inc.**

2601 Wayne St., Endicott NY 13760  
 607-754-9187 Fax 607-754-9255  
<http://www.ergpower.com>

**E1582**

## Specifications and Applications Information

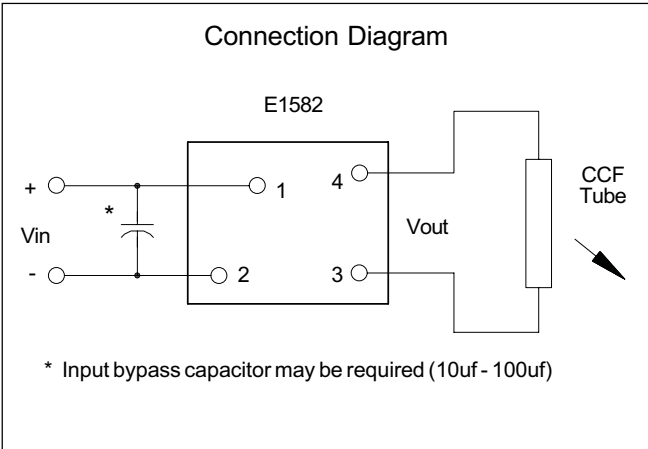
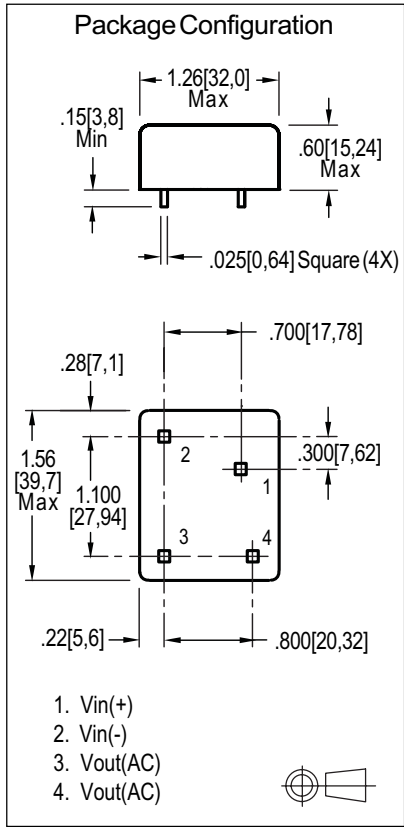
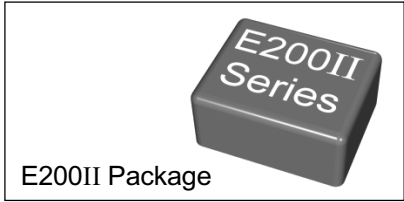
05/31/00 Preliminary

### Single Tube DC to AC Inverter

The E1582 (E200II Series) dc to ac inverter is specifically designed to power the Optrex DMF50262 LCD display to a moderate brightness level from a +5 volt dc source.

The E1582's small size, encapsulated package makes it the ideal power source for applications where small size, high efficiency and reliability are critical.

This inverter is designed to satisfy the most common cold-cathode lighting requirements for the Optrex DMF50262 display. Custom units, providing different inputs, outputs or package refinements are available.



Electrical Characteristics (Nominal)	
Input Current	.45 Adc
No Load Output Voltage	1050 Vrms
Output Current	5.5 mArms
Tube Voltage	310 Vrms
$(V_{IN} = 5.0 \text{ Volts DC}, T_A = 25 \text{ }^\circ\text{C})$	