



Endicott Research Group, Inc.

2601 Wayne St., Endicott, NY 13760
 607-754-9187 Fax 607-754-9255
<http://www.ergpower.com>

DMD43132

Specifications and Applications Information

10/30/09

Preliminary

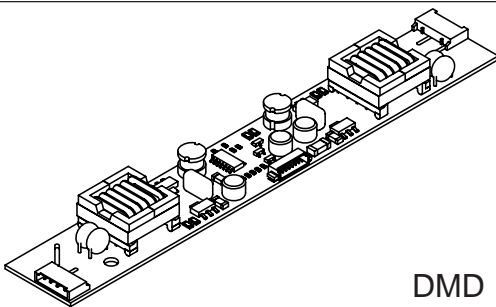
Four Lamp DC to AC Inverter

The ERG DMD43132 (*DMD Series*) DC to AC inverter features onboard connectors and can be easily dimmed using the onboard PWM Dimming or an external PWM generator.

Powered by a regulated +12 Volt DC source, the DMD43132 is designed to power the backlight of the Digital View CPT (Chungwa Picture Tube) CLAA150XE01.

Product Features

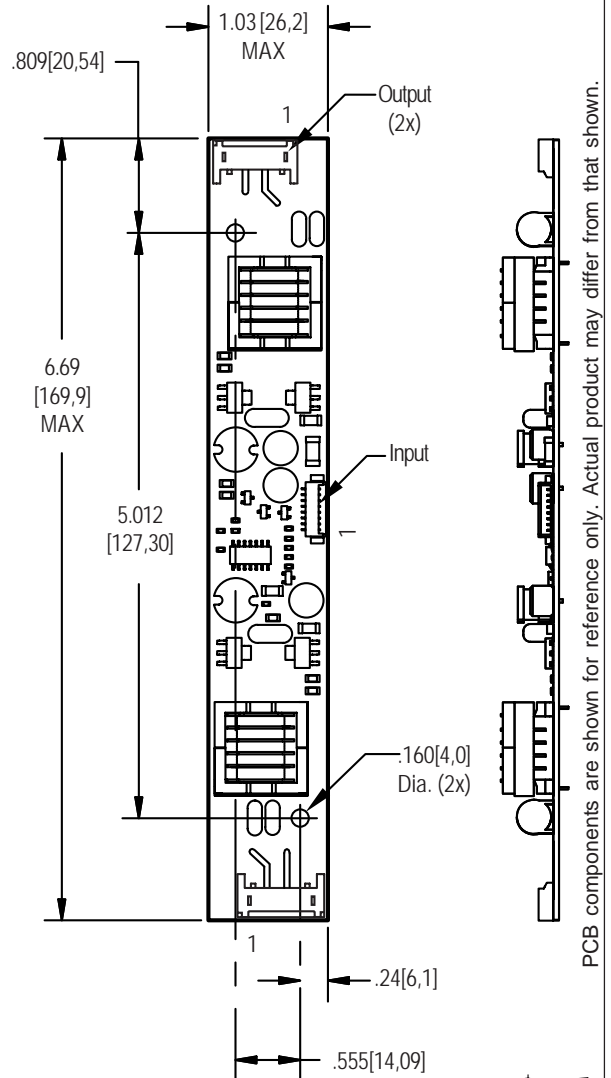
- ✓ Small Package Size
- ✓ High Dimming Ratio
- ✓ High Efficiency
- ✓ Made in U.S.A.



DMD Package

PCB components are shown for reference only.
 Actual product may differ from that shown.

Package Configuration



Mass: 45 grams

Pin Descriptions

| | | |
|---------------|--------------|---------------|
| J2-1 ACout | J2-1 +Vin | J3-1 ACout |
| J2-2 ACout | J2-2 +Vin | J3-2 ACout |
| J2-3 ACreturn | J2-3 GND | J3-3 ACreturn |
| J2-4 ACreturn | J2-4 GND | J3-4 ACreturn |
| | J2-5 Enable | |
| | J2-6 Control | |
| | J2-7 GND | |
| | J2-8 GND | |

Connectors

| | |
|-----------------------------------|---------------------------|
| Output JST SM04(4.0)B-BHS-1-TB | Input Molex 53261-0871 |
|-----------------------------------|---------------------------|

**Absolute Maximum Ratings**

| Rating | Symbol | Value | Units |
|---------------------|-----------|---------------|-------|
| Input Voltage Range | V_{in} | -0.3 to +13.2 | Vdc |
| Storage Temperature | T_{stg} | -40 to +85 | °C |

Operating Characteristics

With a load simulating the referenced display and lamp warm-up of 5 minutes.
Unless otherwise noted $V_{in} = 12.00$ Volts dc and $T_a = 25^\circ\text{C}$.

| Characteristic | Symbol | Min | Typ | Max | Units |
|---|-----------------------|-------|-------|----------|---------------------|
| Input Voltage | V_{in} | +10.8 | +12.0 | +12.6 | Vdc |
| Component Surface (note 1) Temperature | T_s | -20 | - | +80 | °C |
| Input Current (note 2) | I_{in} | - | 1.56 | 1.80 | Adc |
| Input Ripple Current | I_{rip} | - | 20 | - | mA _{pk-pk} |
| Operating Frequency | F_o | 34 | 39 | 44 | kHz |
| Minimum Output Voltage (note 3) | $V_{out}(\text{min})$ | 1700 | - | - | Vrms |
| Efficiency | η | - | 81 | - | % |
| Output Current (per lamp) | I_{out} | - | 6.3 | - | mArms |
| Output Voltage | V_{out} | - | 600 | - | Vrms |
| Enable Pin | | | | | |
| Turn-off Threshold | V_{thoff} | GND | - | 0.5 | Vdc |
| Turn-on Threshold | V_{thon} | 2.5 | - | V_{in} | Vdc |
| Impedance to V_{in} | R_{Enable} | - | 10 | - | kOhms |

Specifications subject to change without notice.

(Note 1) Surface temperature must not exceed 80 degrees C; thermal management actions may be required.

(Note 2) Input current in excess of maximum may indicate a load/inverter mismatch condition, which can result in reduced reliability. Please contact ERG technical support.

(Note 3) Provided data is not tested but guaranteed by design.

Application Notes:

- 1) The minimum distance from high voltage areas of the inverter to any conductive material should be .12 inches per kilovolt of starting voltage.
- 2) Mounting hardware to be non-conductive.
- 3) Open framed inverters should not be used in applications at altitudes over 10,000 feet.
- 4) ACreturn should be left floating, not grounded.
- 5) Contact ERG for possible exceptions.



Onboard PWM

Unless otherwise noted $V_{in} = 12.00$ Volts DC, $T_a = 25$ °C and unit has been running for 5 minutes.

| Characteristic | Symbol | Min | Typ | Max | Units |
|----------------------------|-------------|-----|-----|-----|-------|
| Frequency | f_{pwm} | - | 160 | - | Hz |
| Control Input Bias Current | I_{cbias} | - | - | 10 | uA |

Pin Descriptions

- Vin** Input voltage to the inverter. The two pins should be connected for optimum reliability and efficiency.
- GND** Inverter ground. The four pins should be connected for optimum reliability and efficiency.
- Control** Analog voltage input to the onboard pulse width modulator. Decreasing this voltage increases the ON time of the onboard PWM resulting in increased brightness. The inverter is full ON when this voltage is near inverter ground.
- Enable** Inverter Enable. Pull this pin low to disable inverter operation. This pin must be high to enable the inverter. The onboard PWM is always utilized.

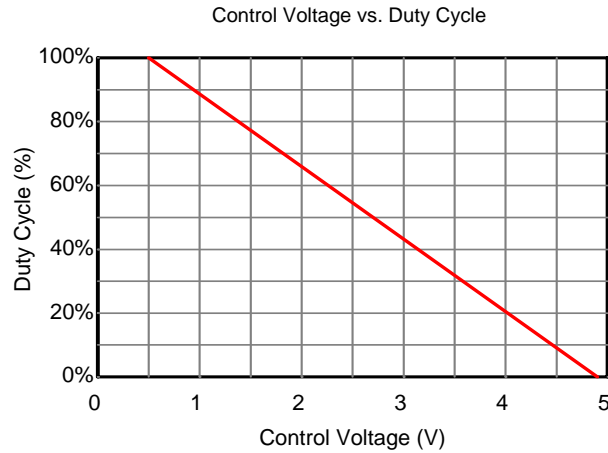
Application information

The DMD series of inverters is designed to power up to four cold cathode fluorescent lamps. An external analog control interfaces with an onboard pulse width modulator to provide dimming control. The DMD inverter can reliably dim to less than 5% duty cycle.

External shutdown of the inverter is accomplished using the Enable pin. Pulling this pin low (below V_{thoff}) disables the inverter. Enabling the inverter is accomplished by pulling this pin high (above V_{thon}).

If analog voltage dimming is required, the analog voltage is applied to the Control pin. Figure 1 shows how to connect the inverter for onboard PWM operation. Graph 1 shows the relationship of PWM duty cycle to input control voltage.

If an external PWM is used, simply connect the Enable pin to the PWM source and connect the Control pin to inverter Ground. If the onboard PWM is used, connect the analog voltage to the Control pin.



Graph 1

Typical Application

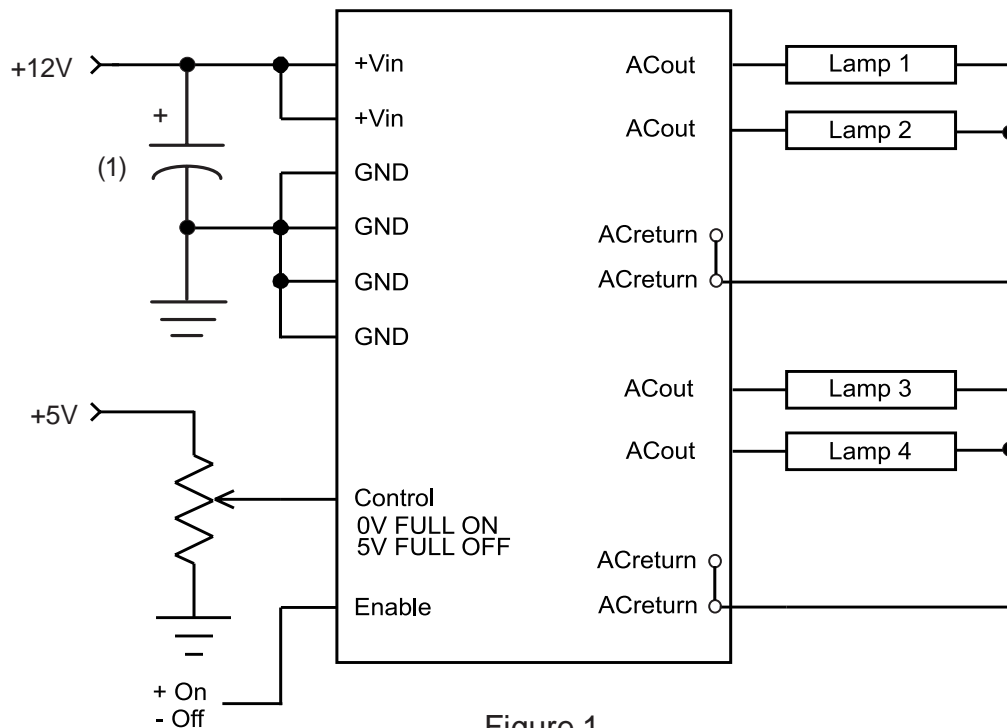


Figure 1

(1) Low ESR type input by-pass capacitor (22 uF - 220 uF) may be required to reduce reflected ripple, and to improve power supply transient response.



Endicott Research Group, Inc. (ERG) reserves the right to make changes in circuit design and/or specifications at any time without notice. Accordingly, the reader is cautioned to verify that data sheets are current before placing orders. Information furnished by ERG is believed to be accurate and reliable. However, no responsibility is assumed by ERG for its use.