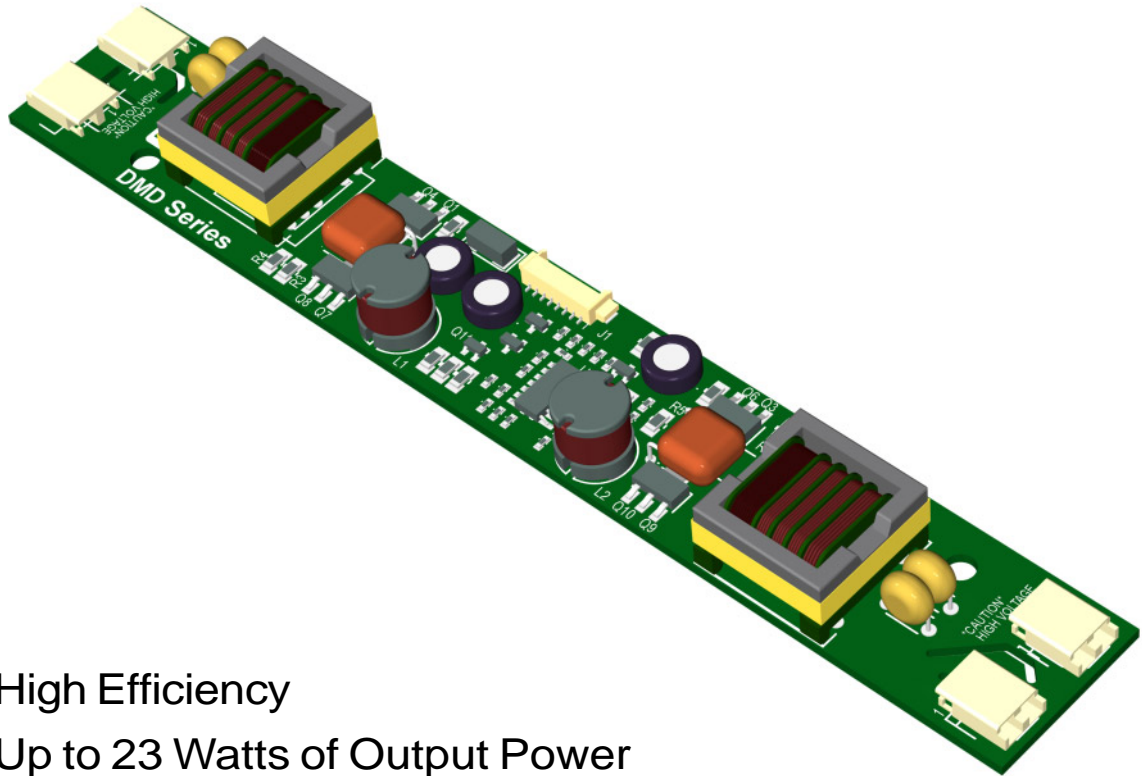


DMD Series



High Power Solution for 4 Lamp LCD Modules



- High Efficiency
- Up to 23 Watts of Output Power
- Onboard PWM Dimming
- Integrated Input and Output Connectors
- Mating Locking Input Wiring Harnesses Available
- Standard Units for a Wide Range of Displays and Applications
- Designed, Manufactured and Supported in the USA
- One Year Warranty



Endicott Research Group, Inc.

2601 Wayne St., Endicott, NY 13760

607-754-9187 Fax 607-754-9255

<http://www.ergpower.com>



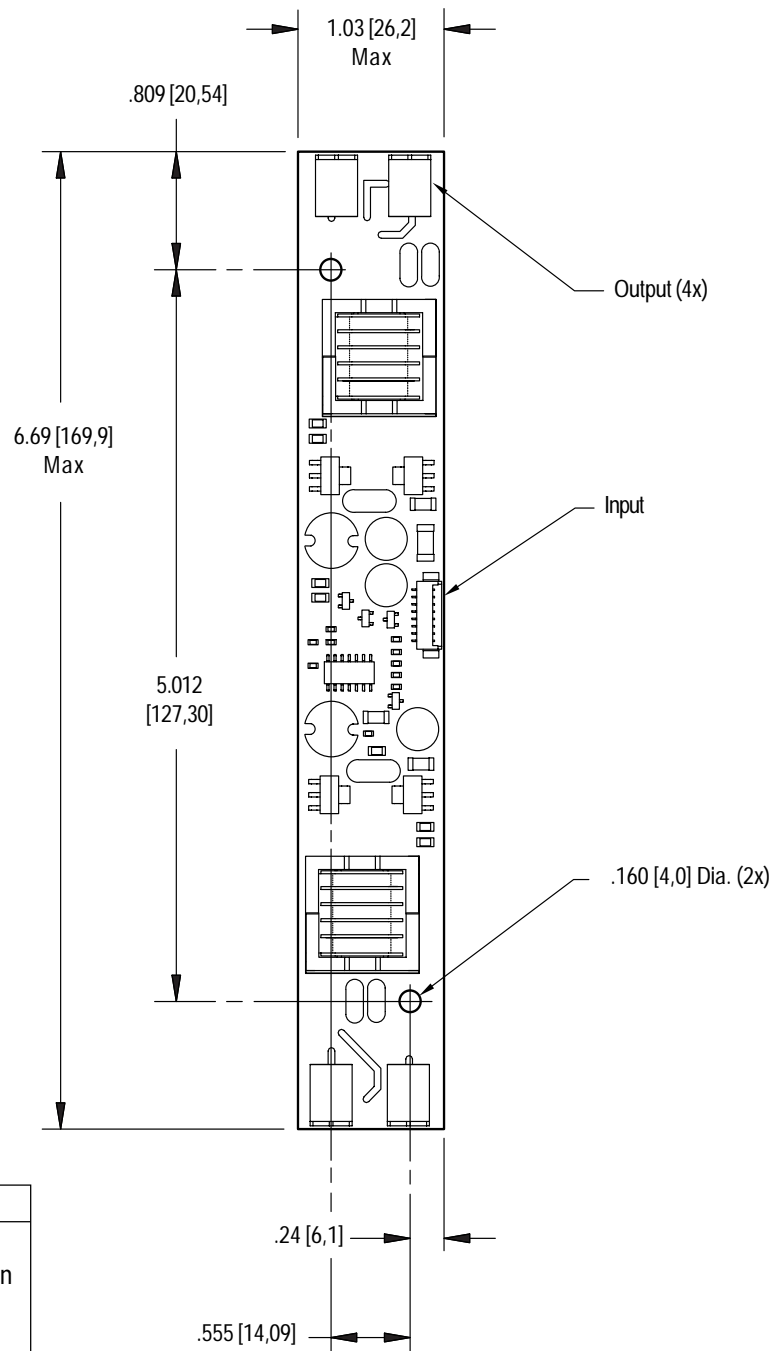
DMD Series



Product Configuration

* This product assembly meets IPC-A-610 Class II Standards.

Mass: 45 grams



Pin Designations			
J1-1	ACout	J2-1	Vin
J2-2	ACcommon	J2-2	Vin
		J2-3	GND
J4-1	ACout	J2-4	GND
J4-2	ACcommon	J2-5	Enable
		J2-6	Control
		J2-7	N/C
		J2-8	N/C
		J3-1	ACout
		J3-2	ACcommon
		J5-1	ACout
		J5-2	ACcommon



Specifications Subject to Change Without Notice



Endicott Research Group, Inc.

2601 Wayne St., Endicott, NY 13760
 607-754-9187 Fax 607-754-9255
<http://www.ergpower.com>