

# D Series



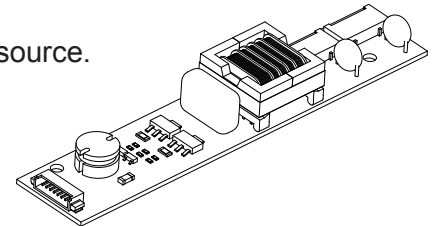
## 12 Volt Input Dc to Ac Inverter

## DMA260J

The DMA260J is a generic dc to ac inverter designed to generate 6 mArms into a 500 - 600 volt load (CCFL) from a nominal 12 Vdc source.

### FEATURES

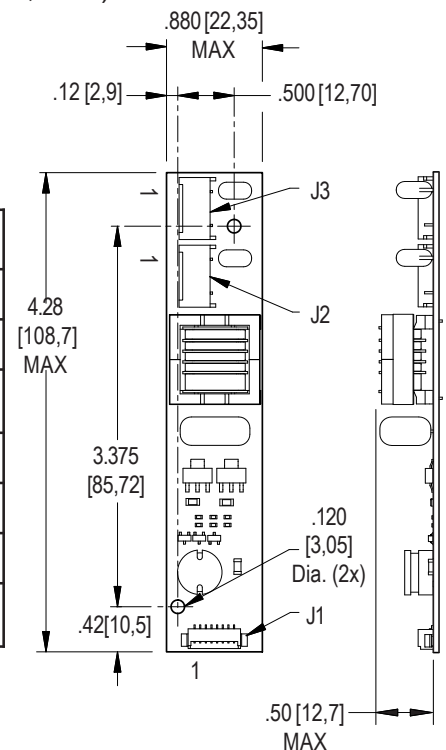
- Low Profile
- Display compatible connector
- High efficiency



### PHYSICAL SPECIFICATIONS

- Size: .88" x 4.28" x .50"  
(without input connector) (22,35mm x 108,7mm x 12,7mm)
- Weight: 30 grams
- Component Surface Temperature: -20° to +80°C
- Storage Temperature: -40° to +85°C
- Humidity: 95% RH Max

Characteristics	Value	Units	Note(s)
Input Voltage	10.8 - 12.6	Vdc	
Input Current	0.59 typ	Adc	$R_L = 92 \text{ k}\Omega$
Minimum No Load Output Voltage	1500	Vrms	$V_{in} = 12.00 \text{ Vdc}$
Frequency	37 typ	kHz	$V_{in} = 12.00 \text{ Vdc}$
Output Current	6.0	mArms	$R_L = 92 \text{ k}\Omega$
Efficiency	93	%	Typical
The maximum input current (which indicates an overload condition) is 0.7 Adc maximum.			



PCB components are shown for reference only. Actual product may differ from that shown.

Input Connector: J1 Molex 53261-0871  
Output Connector: J2,J3 JST SM02(8.0)B-BHS-1-TB

Inverters specifically designed to match most popular LCD modules are also available. Contact your authorized distributor or ERG direct.

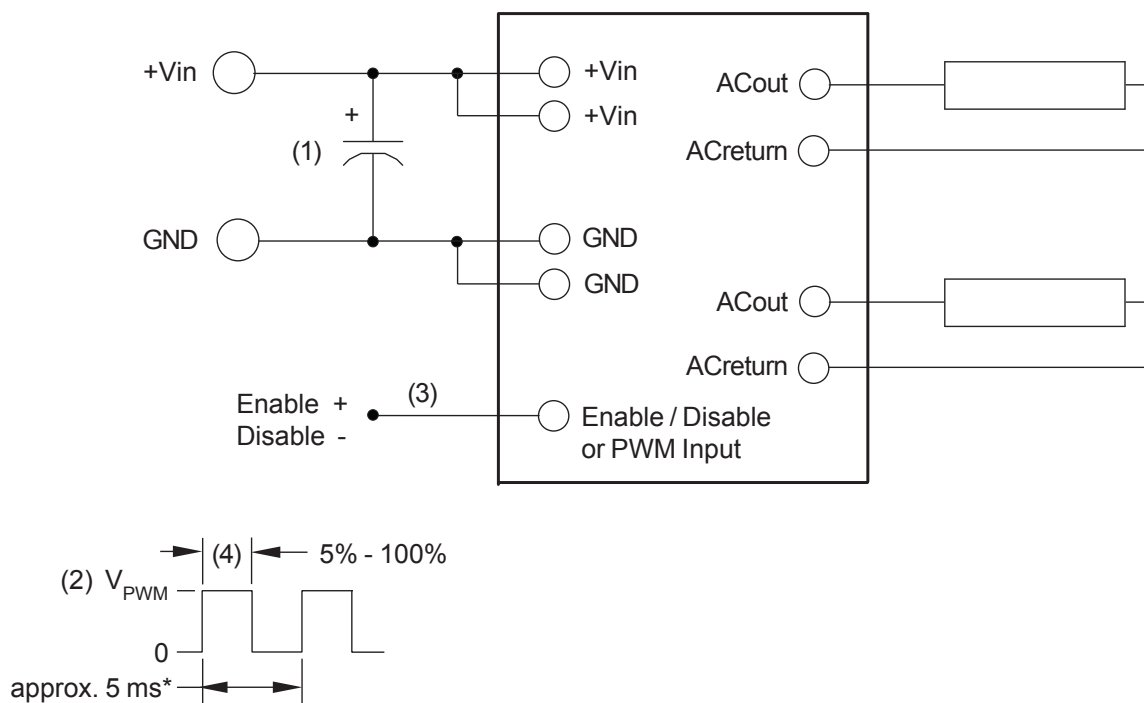
### Endicott Research Group, Inc.

2601 Wayne St., Endicott, NY 13760  
607-754-9187 Fax 607-754-9255  
<http://www.ergpower.com>

### Pin Descriptions

J1-1 +Vin	J2-1 ACout
J1-2 +Vin	J2-2 ACreturn
J1-3 GND	
J1-4 GND	
J1-5 Enable	
J1-6 N/C	J3-1 ACout
J1-7 N/C	J3-2 ACreturn
J1-8 N/C	

Special Application



Note 1 Low ESR type input by-pass capacitor (22 uF - 100 uF) may be required to reduce reflected ripple.

Note 2  $V_{PWM}$  from 2.4V to less than or equal to +Vin.

Note 3 Full brightness without PWM control requires that pin 5 be tied to +Vin, Pin 5 must be at 0V to turn off.

Note 4 Duty Cycle 5% - 100%.



Endicott Research Group, Inc.

2601 Wayne St., Endicott, NY 13760  
 607-754-9187 Fax 607-754-9255  
<http://www.ergpower.com>

Specifications are subject to change without notice.

12/27/10

