

D Series



12 Volt Input Dc to Ac Inverter

D8mAD60J4F



The D8mAD60J4F is a generic dc to ac inverter designed to generate 6 marms into a 500 - 700 volt load (CCFL) from a nominal 12 volt dc source. It can be easily dimmed using an external analog control signal.

FEATURES

- Low Profile
- Display compatible connector
- High efficiency

PHYSICAL SPECIFICATIONS

- Size: .79" x 3.93" x .32"
(without input connector) (20,1mm x 99,8mm x 8mm)
- Weight: 15 grams
- Operating Temperature: 0° to +70°C
- Storage Temperature: -40° to +80°C
- Humidity: 95% RH Max

Characteristics	Value	Units	Note(s)
Input Voltage	+10.8 - 12.6	Volts dc	
Input Current	.68 typ	Adc	$R_L = 100 \text{ Kohms}$
Minimum No Load Output Voltage	1500	Vrms	$V_{in} = 12.00 \text{ Vdc}$
Frequency	41typ	Khz	$V_{in} = 12.00 \text{ Vdc}$
Output Current	6.0	marms	$R_L = 100 \text{ Kohms}$
Efficiency	88	%	Typical

The maximum input current (which indicates an overload condition) is 1.0 Adc maximum

Inverters specifically designed to match most popular LCD modules are also available. Contact your authorized distributor or ERG direct.

Endicott Research Group, Inc.

2601 Wayne St., Endicott, NY 13760
607-754-9187 Fax 607-754-9255
<http://www.ergpower.com>

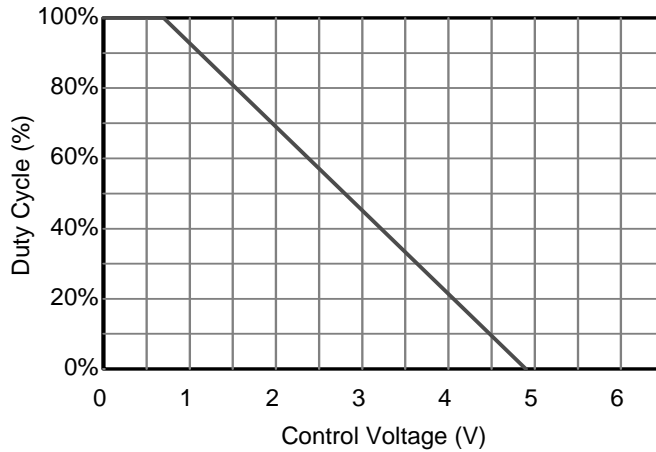
Connection and Application Information

12 Volt Input Dc to Ac Inverter

D8mAD60J4F



Control Voltage vs. Duty Cycle



Graph 1

Typical Application

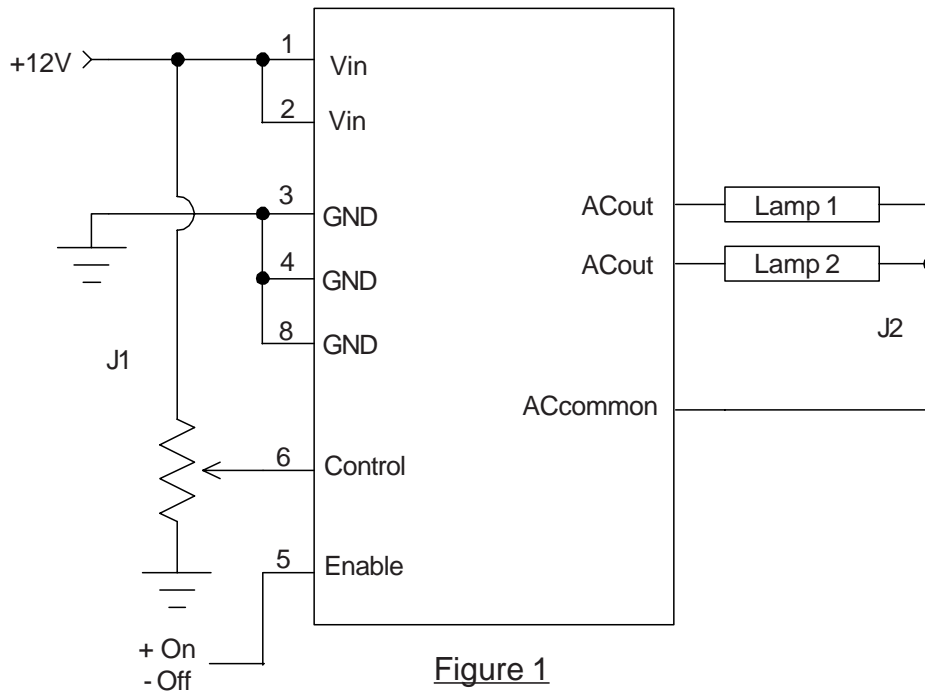


Figure 1



Endicott Research Group, Inc.

2601 Wayne St., Endicott, NY 13760
607-754-9187 Fax 607-754-9255
<http://www.ergpower.com>

Specifications are subject to change without notice.

01/19/06

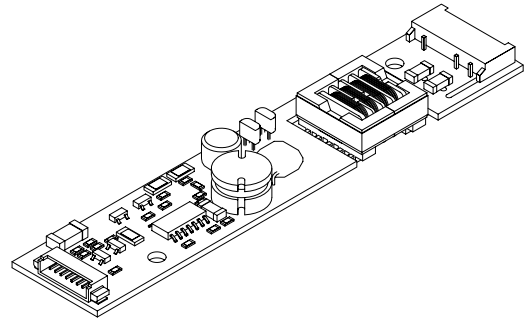
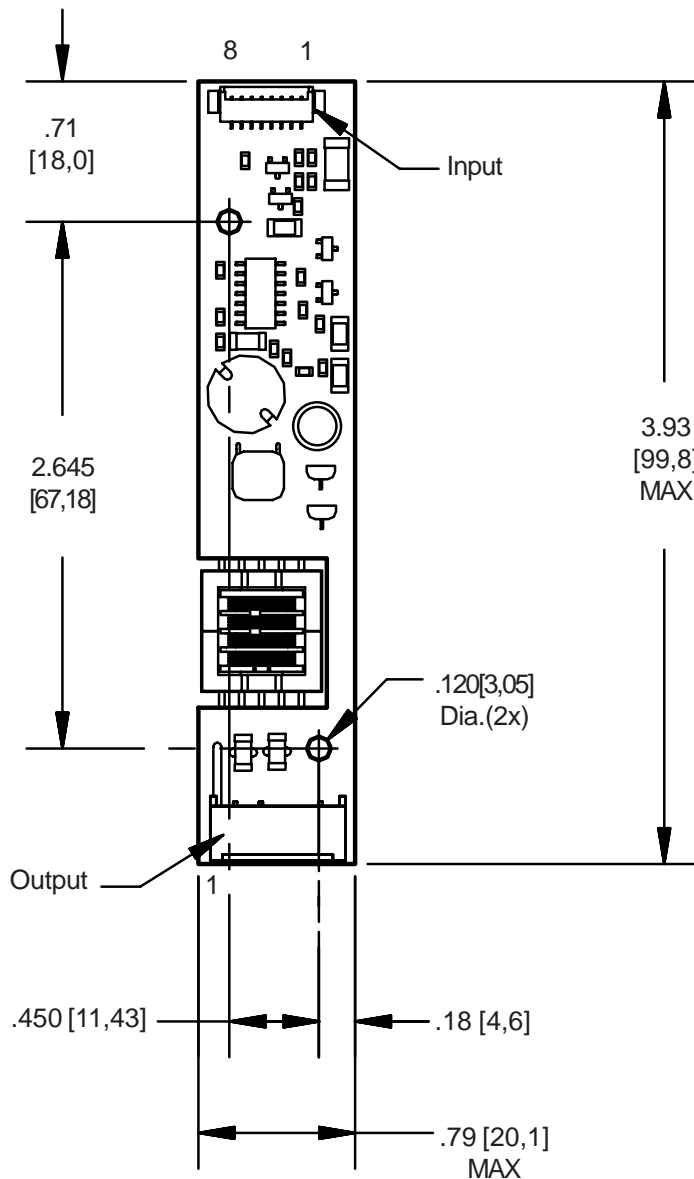
D Series

D Series



12 Volt Input Dc to Ac Inverter

D8mAD60J4F



Input Connector: Molex 53261-0871
 Output Connector: JST SM04(4.0)B-BHS-1-TB or
 YEONHO 20015WR-07A00

Pin Designation	
J1-1 Vin	J2-1 ACout
J1-2 Vin	J2-2 ACout
J1-3 GND	J2-2 N/C
J1-4 GND	J2-2 ACcom
J1-5 Enable	
J1-6 Control	
J1-7 N/C	
J1-8 GND	