

# D Series



## 12 Volt Input Dc to Ac Inverter

## D8mAD50J4F



The D8mAD50J4F is a generic dc to ac inverter designed to generate 5 mArms into a 350 - 450 volt load (CCFL) from a nominal 12 volt dc source. It can be easily dimmed using an external analog control signal.

### FEATURES

- Low Profile
- Display compatible connector
- High efficiency

### PHYSICAL SPECIFICATIONS

Size:	.79" x 3.93" x .32"
(without input connector)	(20,1mm x 99,8mm x 8mm)
Weight:	15 grams
Component Surface Temperature:	-20° to +80°C
Storage Temperature:	-40° to +80°C
Humidity:	95% RH Max

Characteristics	Value	Units	Note(s)
Input Voltage Range	+10.8 - 12.6	Vdc	
Input Current	.40 typ	Adc	$R_L = 74 \text{ kOhms}$
Minimum No Load Output Voltage	1500	Vrms	$V_{in} = 12.00 \text{ Vdc}$
Frequency	46 typ	kHz	$V_{in} = 12.00 \text{ Vdc}$
Output Current (per lamp)	5.0	mArms	$R_L = 74 \text{ kOhms}$
Efficiency	77	%	Typical

The maximum input current (which indicates an overload condition) is 1.0 Adc maximum.  $V_{out} = 370 \text{ Vrms}$  used to calculate efficiency.

Inverters specifically designed to match most popular LCD modules are also available. Contact your authorized distributor or ERG direct.

## Endicott Research Group, Inc.

2601 Wayne St., Endicott, NY 13760

607-754-9187 Fax 607-754-9255

<http://www.ergpower.com>

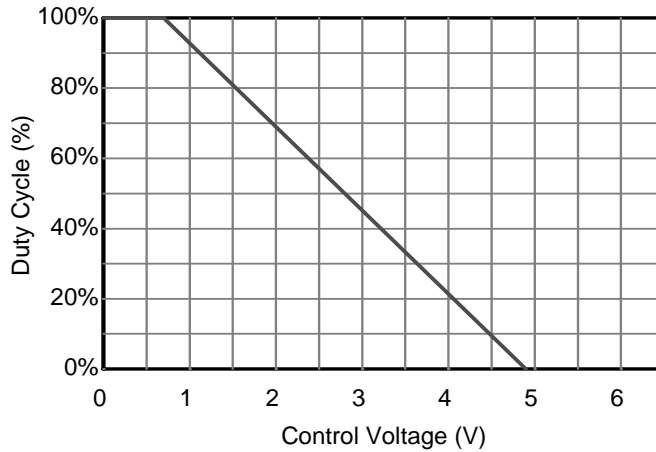
# Connection and Application Information

12 Volt Input Dc to Ac Inverter

## D8mAD50J4F



Control Voltage vs. Duty Cycle



Graph 1

Typical Application

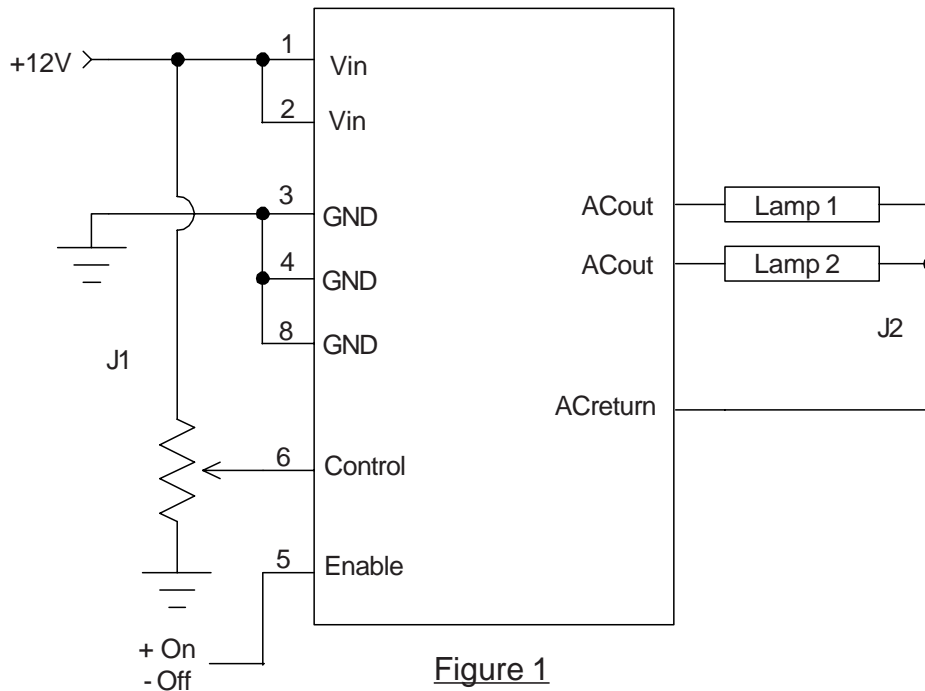


Figure 1



Endicott Research Group, Inc.

2601 Wayne St., Endicott, NY 13760  
607-754-9187 Fax 607-754-9255  
<http://www.ergpower.com>

Specifications are subject to change without notice.

06/11/07

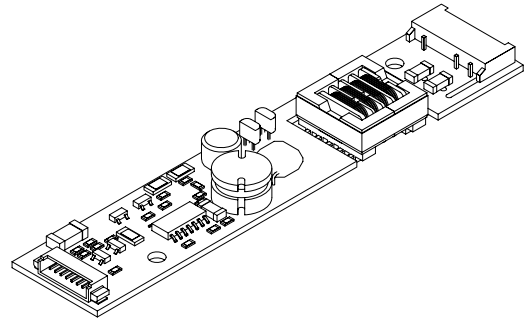
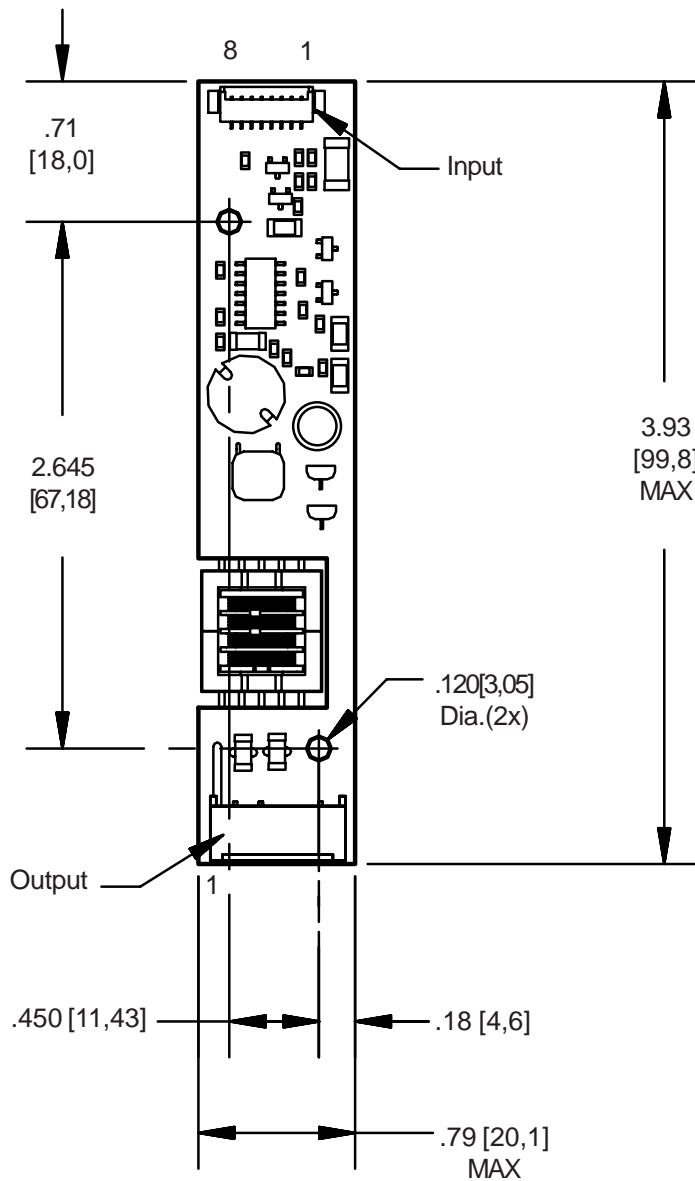
# D Series

# D Series



12 Volt Input Dc to Ac Inverter

D8mAD50J4F



Input Connector: Molex 53261-0871  
 Output Connector: JST SM04(4.0)B-BHS-1-TB or  
 YEON HO 20015WR-07A00

Pin Designation	
J1-1 Vin	J2-1 ACout
J1-2 Vin	J2-2 ACout
J1-3 GND	J2-2 N/C
J1-4 GND	J2-2 ACreturn
J1-5 Enable	
J1-6 Control	
J1-7 N/C	
J1-8 GND	