

D Series



12 Volt Input Dc to Ac Inverter

D12P4450

The D12P4450 is a generic dc to ac inverter designed to provide 5 marms into each of four 270-370 volt loads (CCFT) from a nominal 12 volt dc source. It can be easily dimmed using a +12 Volt external PWM source.

FEATURES

- Full Encapsulation
- PC Mountable
- High efficiency

PHYSICAL SPECIFICATIONS

- Size: 2.57" x 1.00" x .69"
(65,3mm x 25,4mm x 17,5mm)
- Weight: 55 grams
- Operating Temperature: 0° to +70°C
- Storage Temperature: -20° to +85°C
- Humidity: 95% RH Max

Characteristics	Value	Units	Note(s)
Input Voltage	+10.8 - 12.6	Volts dc	
Input Current	.68 typ	Adc	$R_L = 75 \text{ Kohms}$
Minimum No Load Output Voltage	1100	Vrms	$V_{in} = 12.00 \text{ Vdc}$
Frequency	41 typ	Khz	$V_{in} = 12.00 \text{ Vdc}$
Output Current	5.4	marms	$R_L = 75 \text{ Kohms}$
Efficiency	85	%	Typical

The maximum input current (which indicates an overload condition) is .78 Adc maximum.
Input voltage specification modified for clarity on 5/2004.

Inverters specifically designed to match most popular LCD modules are also available. Contact your authorized distributor or ERG direct.

Endicott Research Group, Inc.

2601 Wayne St., Endicott, NY 13760

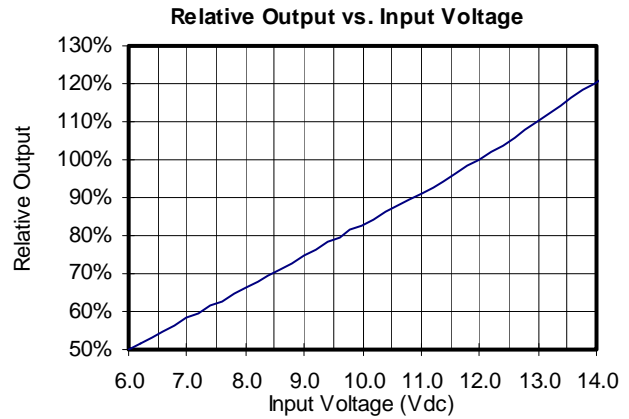
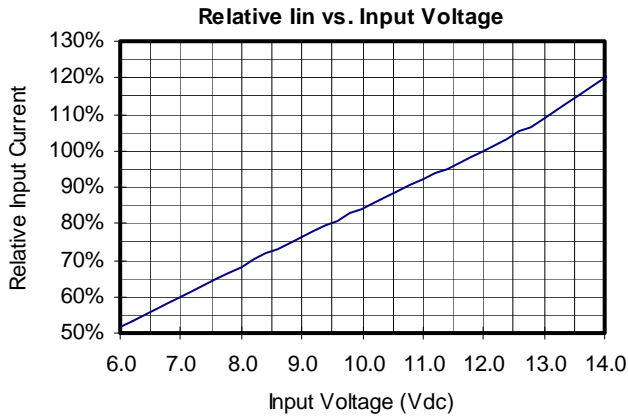
607-754-9187 Fax 607-754-9255

<http://www.ergpower.com>

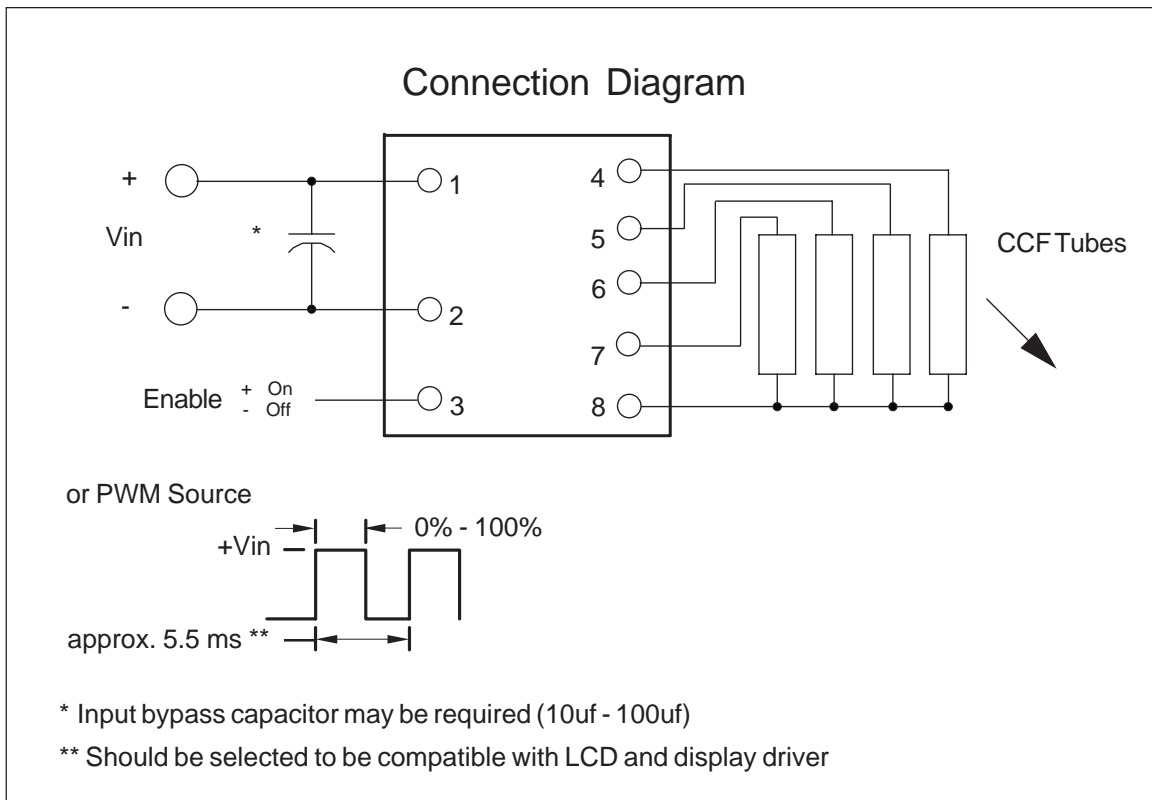
Connection and Application Information

12 Volt Input Dc to Ac Inverter

D12P4450



Connection and Application Information



Endicott Research Group, Inc.

2601 Wayne St., Endicott, NY 13760
 607-754-9187 Fax 607-754-9255
<http://www.ergpower.com>



Specifications are subject to change without notice. 05/01/04

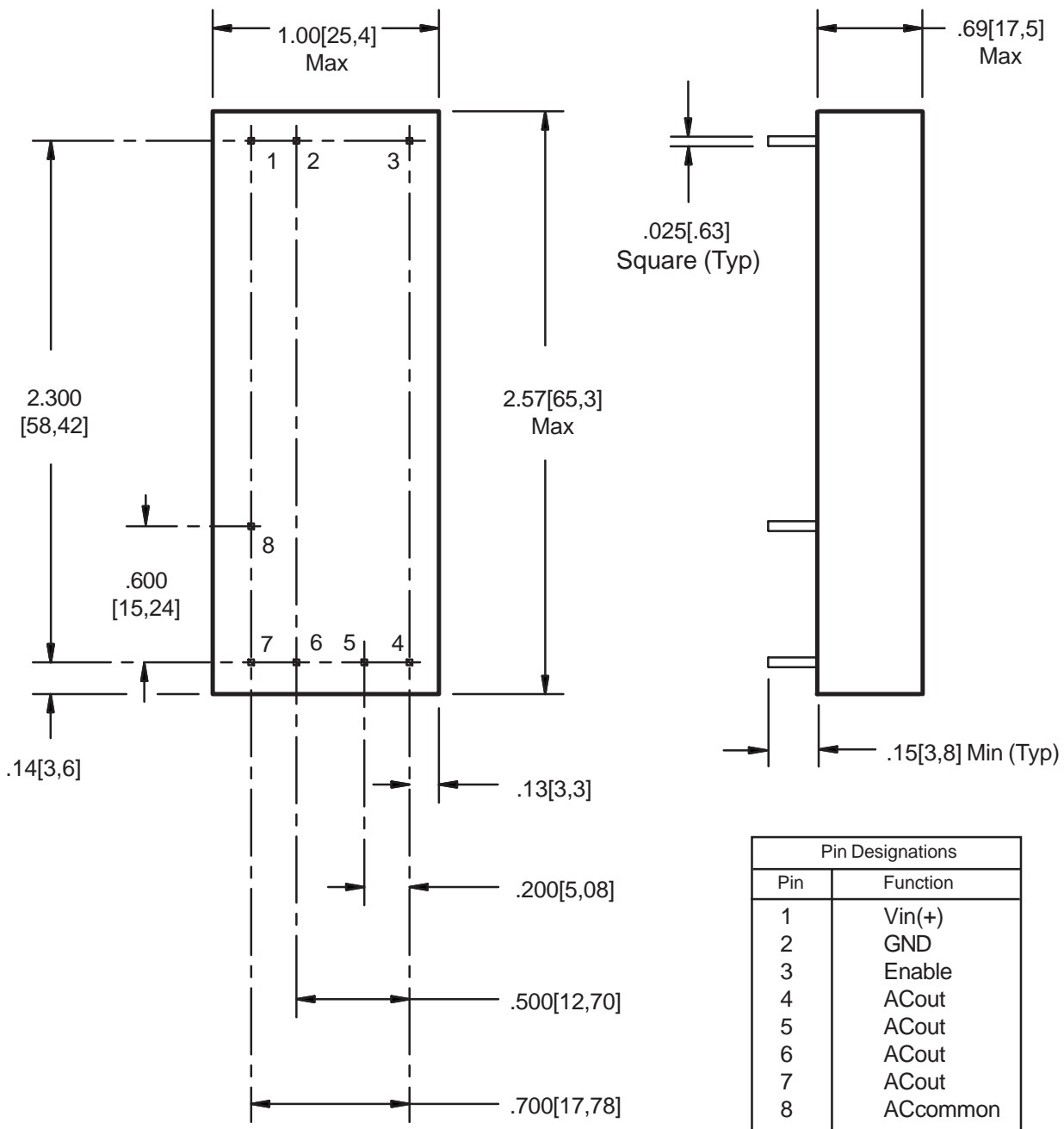


D Series



12 Volt Input Dc to Ac Inverter

D12P4450



PCB components are shown for reference only. Actual product may differ from that shown.

