

D Series



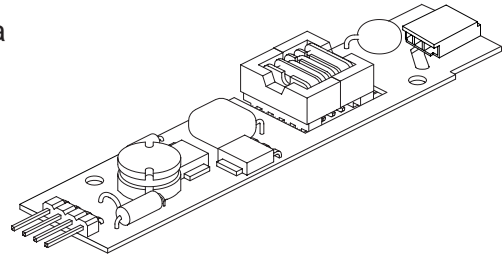
12 Volt Input Dc to Ac Inverter

D12M50J2

The D12M50J2 is a generic dc to ac inverter designed to generate 5 marms into a 270 - 370 volt load (CCFT) from a nominal 12 volt dc source.

FEATURES

- Low Profile
- Display compatible connector
- High efficiency

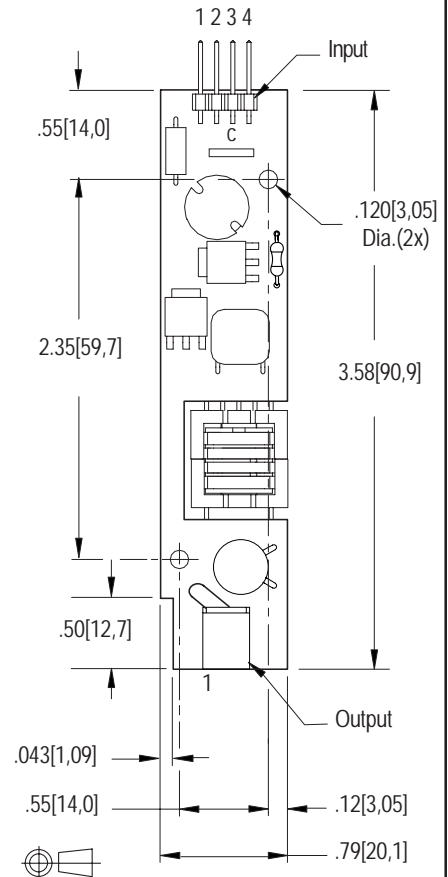


PHYSICAL SPECIFICATIONS

- Size: .79" x 3.58" x .32"
 (without input connector) (20,1mm x 90,9mm x 8mm)
- Weight: 11.4 grams
- Operating Temperature: 0° to +70°C
- Storage Temperature: -20° to +85°C
- Humidity: 95% RH Max

Characteristics	Value	Units	Note(s)
Input Voltage	10.8 - 12.6	Volts dc	
Input Current	.18 typ	Adc	$R_L = 64 \text{ Kohms}$
Minimum No Load Output Voltage	1100	Vrms	$V_{in} = 12.00 \text{ Vdc}$
Frequency	35 typ	Khz	$V_{in} = 12.00 \text{ Vdc}$
Output Current	5.0	marms	$R_L = 64 \text{ Kohms}$
Efficiency	74	%	Typical
The maximum input current (which indicates an overload condition) is 1.0 Adc maximum. Input voltage specification modified for clarity on 5/2004.			

- Input Connector: 4 position right angle header
 (.025" square, .100" centers)
- Output Connector: JST SM02B-BHSS-1-TB



1. Vin(+)
2. Vin(-)
3. Control
4. N/C

Inverters specifically designed to match most popular LCD modules are also available. Contact your authorized distributor or ERG direct.

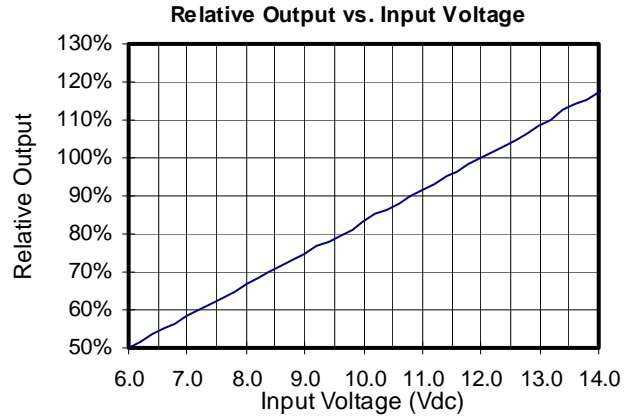
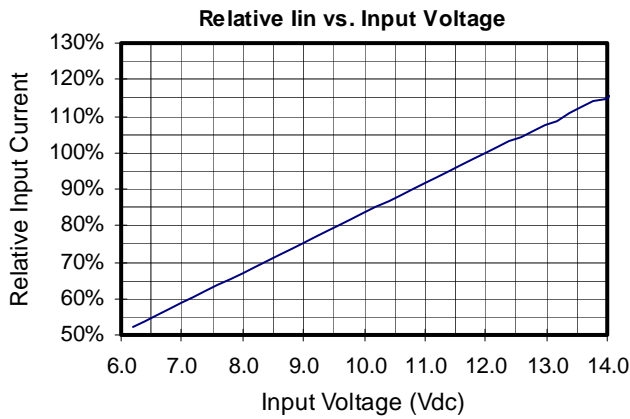
Endicott Research Group, Inc.

2601 Wayne St., Endicott, NY 13760
 607-754-9187 Fax 607-754-9255
<http://www.ergpower.com>

Connection and Application Information

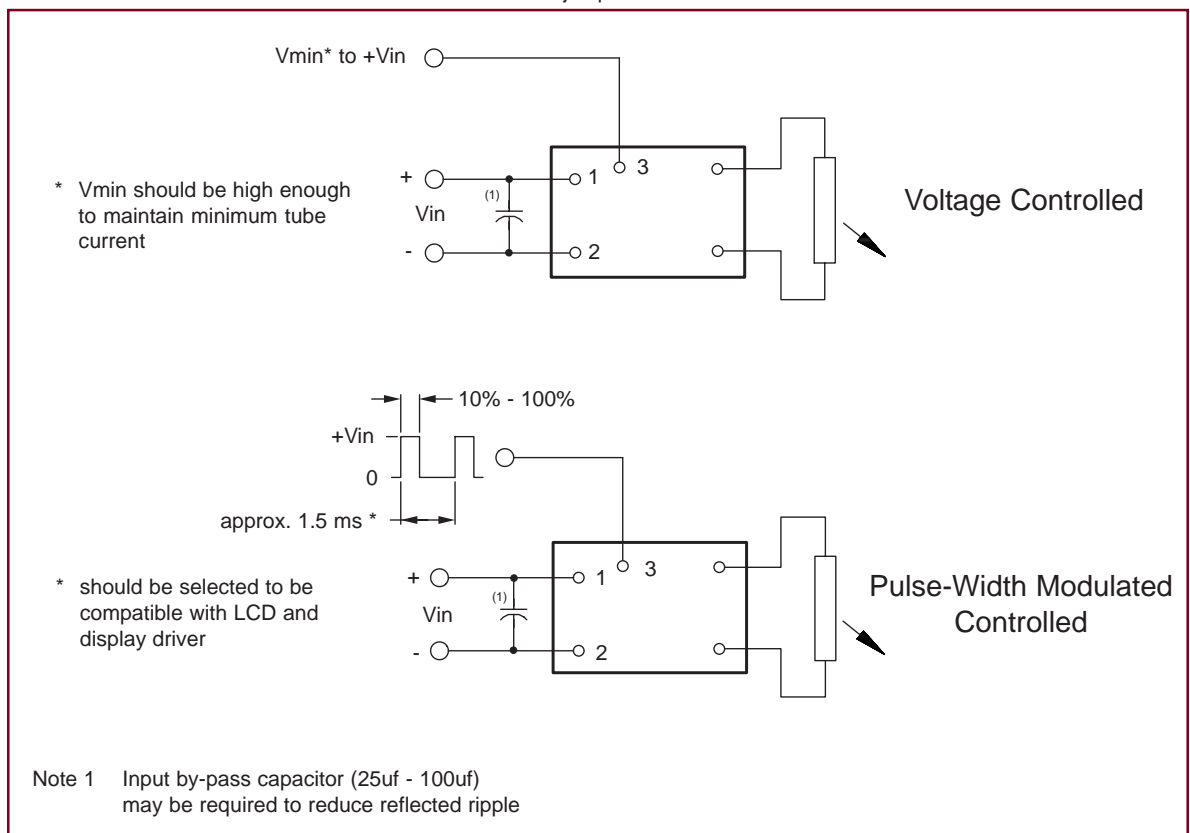
12 Volt Input Dc to Ac Inverter

D12M50J2



Dimming and Control Options

With "C" jumper removed



Endicott Research Group, Inc.

2601 Wayne St., Endicott, NY 13760
607-754-9187 Fax 607-754-9255
<http://www.ergpower.com>

Specifications are subject to change without notice.

05/01/04

D Series