

D Series



12 Volt Input Dc to Ac Inverter

D12LD80JF



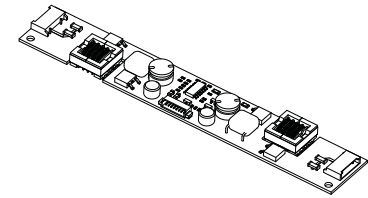
The D12LD80JF is a generic dc to ac inverter designed to generate 8 mArms into a 500 - 700 volt load (CCFL) from a nominal 12 Vdc source. It can be easily dimmed using an external analog control signal.

FEATURES

- Low Profile
- Display compatible connector
- High efficiency

PHYSICAL SPECIFICATIONS

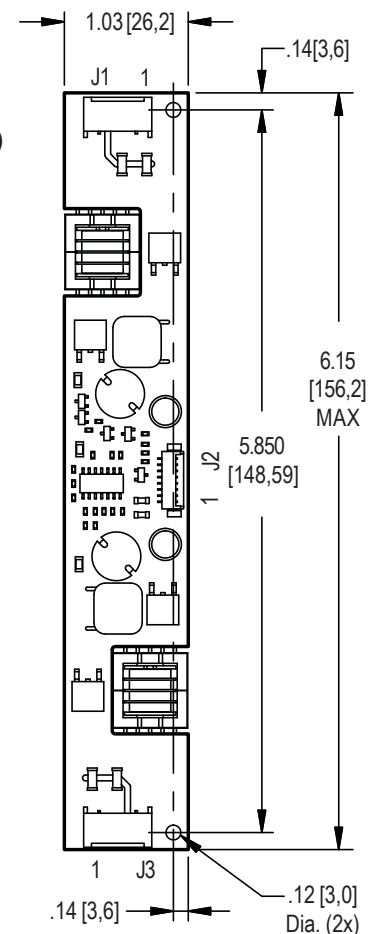
- Size: 6.15" x 1.03" x .32"
(without input connector) (156,2mm x 26,2mm x 8mm)
- Weight: 26 grams
- Component Surface Temperature: -20° to +80°C
- Storage Temperature: -20° to +85°C
- Humidity: 95% RH Max



Characteristics	Value	Units	Note(s)
Input Voltage	10.8 - 12.6	Vdc	
Input Current	0.92 typ	Adc	$R_L = 75 \text{ kOhms}$
Minimum No Load Output Voltage	1500	Vrms	$V_{in} = 12.00 \text{ Vdc}$
Frequency	39 typ	kHz	$V_{in} = 12.00 \text{ Vdc}$
Output Current	8.0	mArms	$R_L = 75 \text{ kOhms}$
Efficiency	87	%	Typical

The maximum input current (which indicates an overload condition) is 1.0 Adc maximum.

Input Connector: J2 Molex 53261-0871
Output Connector: J1, J3 JST SM02(8.0)B-BHS-1-TB



PCB components are shown for reference only. Actual product may differ from that shown.

Inverters specifically designed to match most popular LCD modules are also available. Contact your authorized distributor or ERG direct.

Endicott Research Group, Inc.

2601 Wayne St., Endicott, NY 13760
607-754-9187 Fax 607-754-9255
<http://www.ergpower.com>

Pin Descriptions

J2-1 +Vin	J1-1 ACout
J2-2 +Vin	J1-2 ACreturn
J2-3 GND	
J2-4 GND	
J2-5 Enable	
J2-6 Control	J3-1 ACout
J2-7 N/C	J3-2 ACreturn
J2-8 N/C	

D Series



12 Volt Input Dc to Ac Inverter

D12LD80JF



Absolute Maximum Ratings

Rating	Symbol	Value	Units
Input Voltage Range	V_{in}	-0.3 to +13.2	Vdc
Storage Temperature	T_{stg}	-40 to +85	°C

Operating Characteristics

With a resistive load simulating the referenced display and lamp warm-up of 5 minutes.
Unless otherwise noted $V_{in} = 12.00$ Volts dc and $T_a = 25^{\circ}\text{C}$.

Characteristic	Symbol	Min	Typ	Max	Units
Input Voltage	V_{in}	+10.8	+12.0	+12.6	Vdc
Component Surface Temperature (note 1)	T_s	-20	-	+80	°C
Input Current (note 2)	I_{in}	-	0.92	1.20	Adc
Input Ripple Current	I_{rip}	-	100	-	mA _{pk-pk}
Operating Frequency	F_o	34	39	44	kHz
Minimum Output Voltage (note 3)	$V_{out}(\text{min})$	1500	-	-	Vrms
Efficiency	η	-	87	-	%
Output Current (per lamp)	I_{out}	-	8.0	-	mArms
Output Voltage	V_{out}	-	600	-	Vrms
Enable Pin					
Turn-off Threshold	V_{thoff}	GND	-	0.5	Vdc
Turn-on Threshold	V_{thon}	2.5	-	V_{in}	Vdc
Impedance to V_{in}	R_{Enable}	-	10	-	kOhms

Specifications subject to change without notice.

- (Note 1) Surface temperature must not exceed 80 degrees C; thermal management actions may be required.
(Note 2) Input current in excess of maximum may indicate a load/inverter mismatch condition, which can result in reduced reliability. Please contact ERG technical support.
(Note 3) Provided data is not tested but guaranteed by design.

Application Notes:

- 1) The minimum distance from high voltage areas of the inverter to any conductive material should be .12 inches per kilovolt of starting voltage.
- 2) Mounting hardware to be non-conductive.
- 3) Open framed inverters should not be used in applications at altitudes over 10,000 feet.
- 4) ACreturn should be left floating, not grounded.
- 5) Contact ERG for possible exceptions.

D Series



12 Volt Input Dc to Ac Inverter

D12LD80JF



Onboard PWM

Unless otherwise noted $V_{in} = 12.00$ Volts DC, $T_a = 25$ °C and unit has been running for 5 minutes.

Characteristic	Symbol	Min	Typ	Max	Units
Frequency	f_{pwm}	-	160	-	Hz
Control Input Bias Current	I_{cbias}	-	-	10	μA

Pin Descriptions

- Vin** Input voltage to the inverter. The two pins should be connected for optimum reliability and efficiency.
- GND** Inverter ground. The two pins should be connected for optimum reliability and efficiency.
- Control** Analog voltage input to the onboard pulse width modulator. Increasing this voltage increases the OFF time of the onboard PWM resulting in decreased brightness. The inverter is full ON when this voltage is near inverter ground.
- Enable** Inverter Enable. Pull this pin low to disable inverter operation. This pin must be high to enable the inverter. The onboard PWM is always utilized.

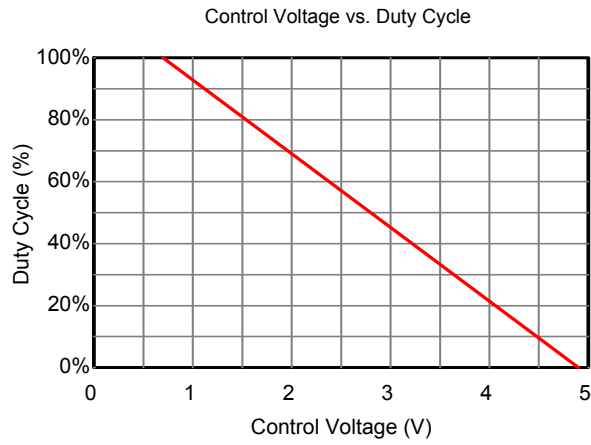
Application information

The LD series of inverters is designed to power up to two cold cathode fluorescent lamps with a combined power of twelve watts. An external analog control interfaces with an onboard pulse width modulator to provide dimming control. The LD inverter can reliably dim to less than 5% duty cycle.

External shutdown of the inverter is accomplished using the Enable pin. Pulling this pin low (below V_{thoff}) disables the inverter. Enabling the inverter is accomplished by pulling this pin high (above V_{thon}).

If analog voltage dimming is required, the analog voltage is applied to the Control pin. Figure 1 shows how to connect the inverter for onboard PWM operation. Graph 1 shows the relationship of PWM duty cycle to input control voltage.

If an external PWM is used, simply connect the Enable pin to the PWM source and connect the Control pin to inverter GROUND. If the onboard PWM is used, connect the analog voltage to the Control pin.



Graph 1

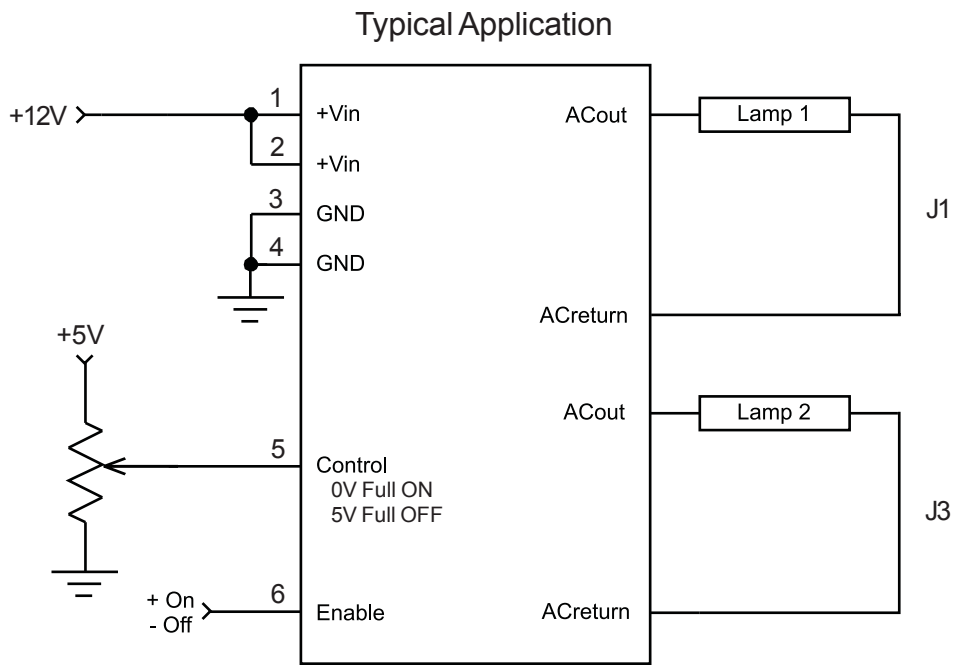


Figure 1

