

D Series



12 Volt Input Dc to Ac Inverter

D12KM50J

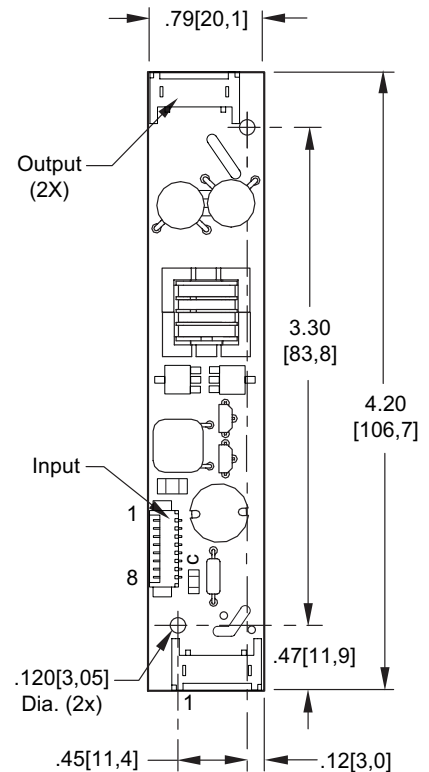
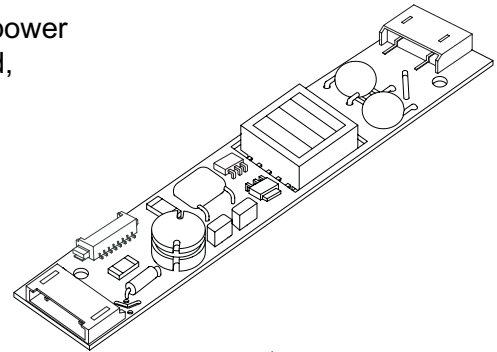
The D12KM50J is a generic dc to ac inverter designed to power 2 CCFT loads generating 5 marms into a 400-600 volt load, from a nominal 12 volt dc source.

FEATURES

- Low Profile
- Display compatible connector
- High efficiency

PHYSICAL SPECIFICATIONS

- Size: .79" x 4.20" x .32"
(without input connector) (20,1mm x 106,7mm x 8mm)
- Weight: 30 grams
- Operating Temperature: 0° to +70°C
- Storage Temperature: -20° to +85°C
- Humidity: 95% RH Max



Characteristics	Value	Units	Note(s)
Input Voltage	10.8 - 13.2	Volts dc	
Input Current	.55 typ	Adc	$R_L = 100 \text{ Kohms}$
Minimum No Load Output Voltage	1500	Vrms	$V_{in} = 12.00 \text{ Vdc}$
Frequency	39 typ	Khz	$V_{in} = 12.00 \text{ Vdc}$
Output Current	5.0	marms	$R_L = 100 \text{ Kohms}$
Efficiency	76	%	Typical
The maximum input current (which indicates an overload condition) is .63 Adc maximum			

Inverters specifically designed to match most popular LCD modules are also available. Contact your authorized distributor or ERG direct.

Input Connector

Molex
532-61-0890

Output Connectors

JST
SM02(8.0)B-BHS-1-TB

J1-1 Vin(+)	J2-1 ACout	J3-1 ACout
J1-2 Vin(+)	J2-2 NC	J3-2 NC
J1-3 GND	J2-3 ACout	J3-3 ACout
J1-4 GND		
J1-5 Control *		
J1-6 NC		
J1-7 NC		
J1-8 NC		

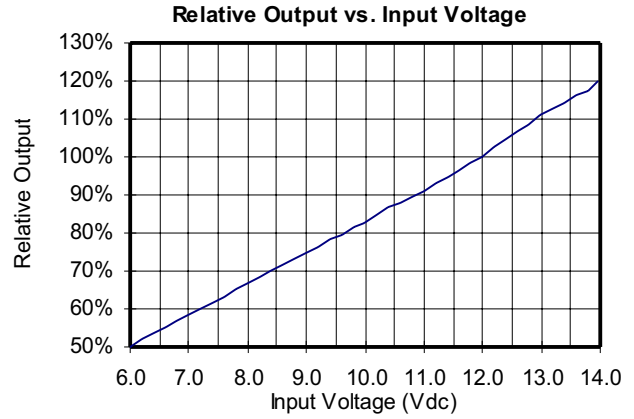
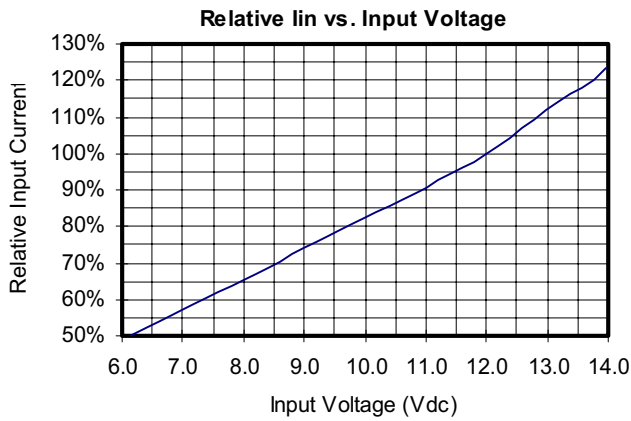
Endicott Research Group, Inc.
2601 Wayne Street Endicott, New York 13760
607-754-9187 fax 607-754-9255
<http://www.ergpower.com>

* Valid when the "C" Jumper is removed

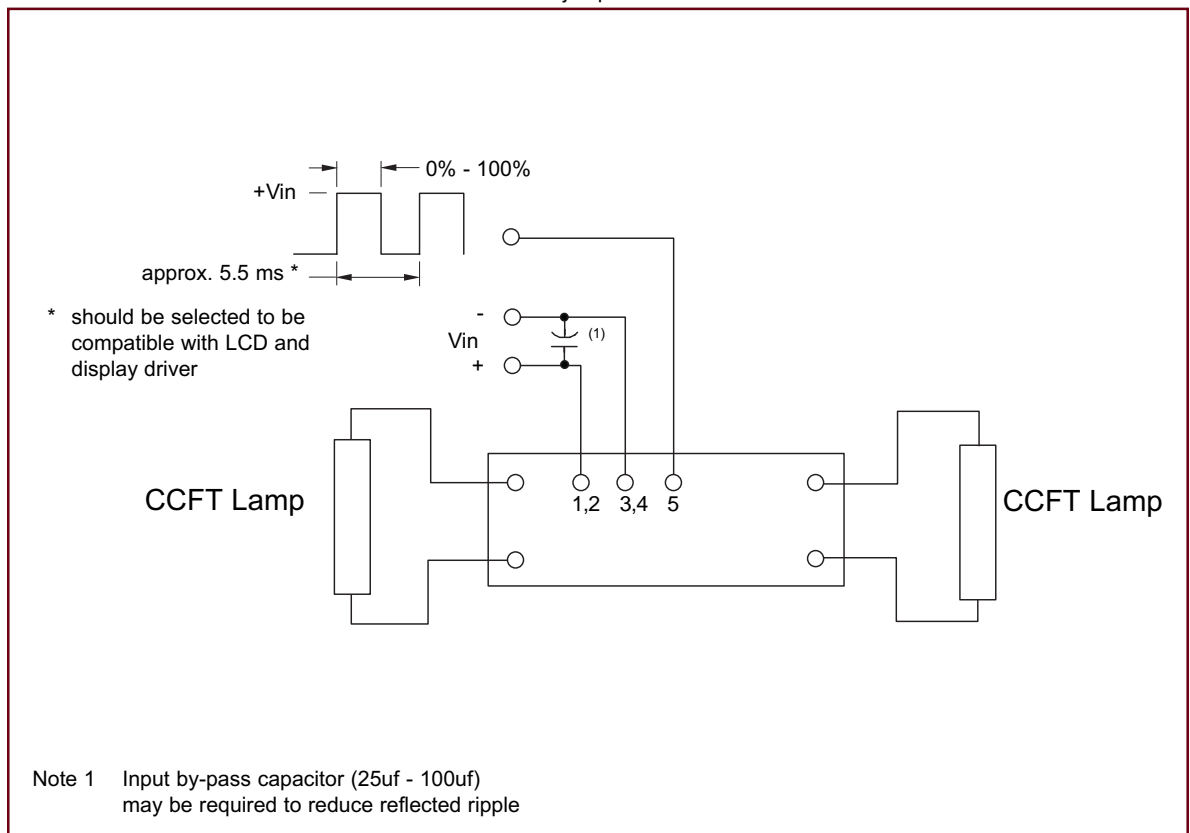
Connection and Application Information

12 Volt Input Dc to Ac Inverter

D12KM50J



Dimming Option With "C" jumper removed



Endicott Research
Group, Inc.

Specifications are subject to change without notice.

01/05/01

D Series