

# D Series



## 12 Volt Input Dc to Ac Inverter

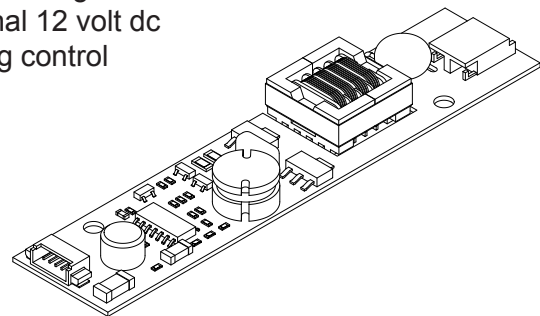
## D128mD60J2F



The D128mD60J2F is a generic dc to ac inverter designed to generate 6 mArms into a 350 - 550 volt load (CCFL) from a nominal 12 volt dc source. It can be easily dimmed using an external analog control signal.

### FEATURES

- Low Profile
- Display compatible connector
- High efficiency



### PHYSICAL SPECIFICATIONS

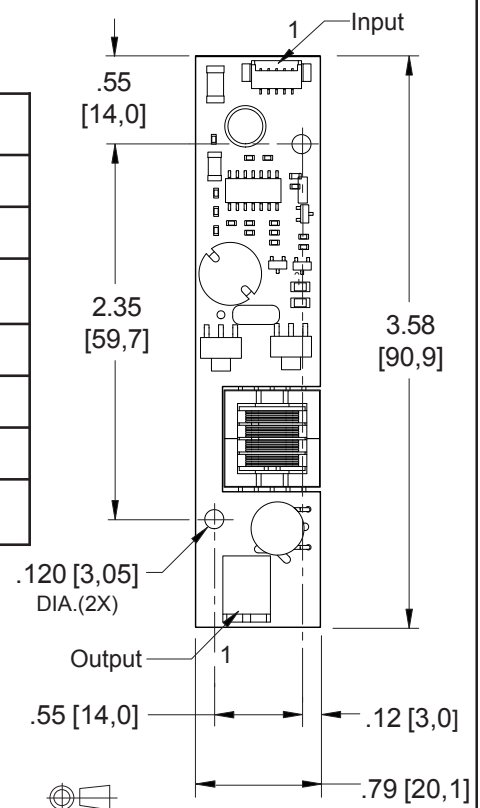
- Size: .79" x 3.58" x .32"  
(without input connector) (20,1mm x 90,9mm x 8mm)
- Weight: 15 grams
- Component Surface Temperature: -20° to +80°C
- Storage Temperature: -20° to +85°C
- Humidity: 95% RH Max

| Characteristics                | Value       | Units | Note(s)                      |
|--------------------------------|-------------|-------|------------------------------|
| Input Voltage                  | 10.8 - 13.2 | Vdc   |                              |
| Input Current                  | 0.30 typ    | Adc   | $R_L = 75 \text{ kOhms}$     |
| Minimum No Load Output Voltage | 1400        | Vrms  | $V_{in} = 12.00 \text{ Vdc}$ |
| Frequency                      | 42 typ      | kHz   | $V_{in} = 12.00 \text{ Vdc}$ |
| Output Current                 | 6.0         | mArms | $R_L = 75 \text{ kOhms}$     |
| Efficiency                     | 75          | %     | Typical                      |

The maximum input current (which indicates an overload condition) is 1.0 Adc maximum

- Input Connector: Molex 53261-0571
- Output Connector: JST SM02B-BHSS-1-TB or  
Yeon Ho 35001WR-02A00

Inverters specifically designed to match most popular LCD modules are also available. Contact your authorized distributor or ERG direct.



| Pin Designation |               |
|-----------------|---------------|
| J1-1 +Vin       | J2-1 ACout    |
| J1-2 GND        | J2-2 ACreturn |
| J1-3 Enable     |               |
| J1-4 Control    |               |
| J1-5 N/C        |               |

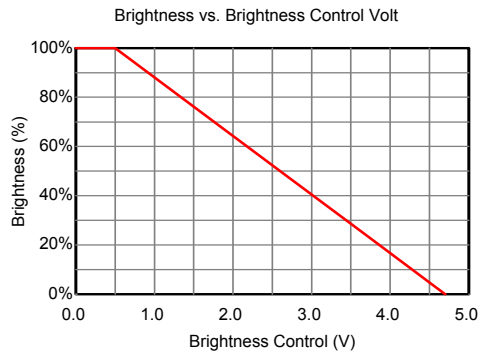
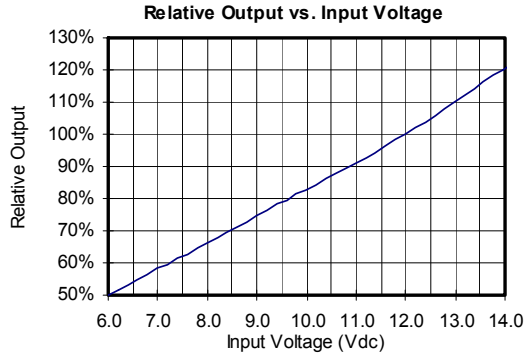
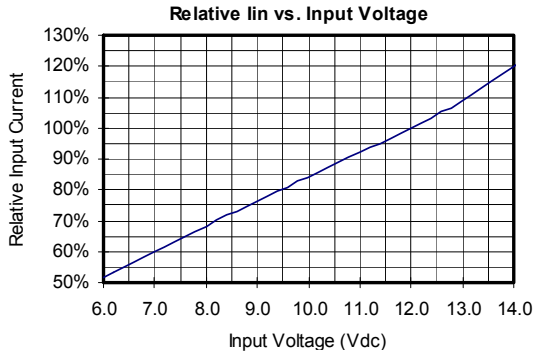
## Endicott Research Group, Inc.

2601 Wayne St., Endicott, NY 13760  
607-754-9187 Fax 607-754-9255  
<http://www.ergpower.com>

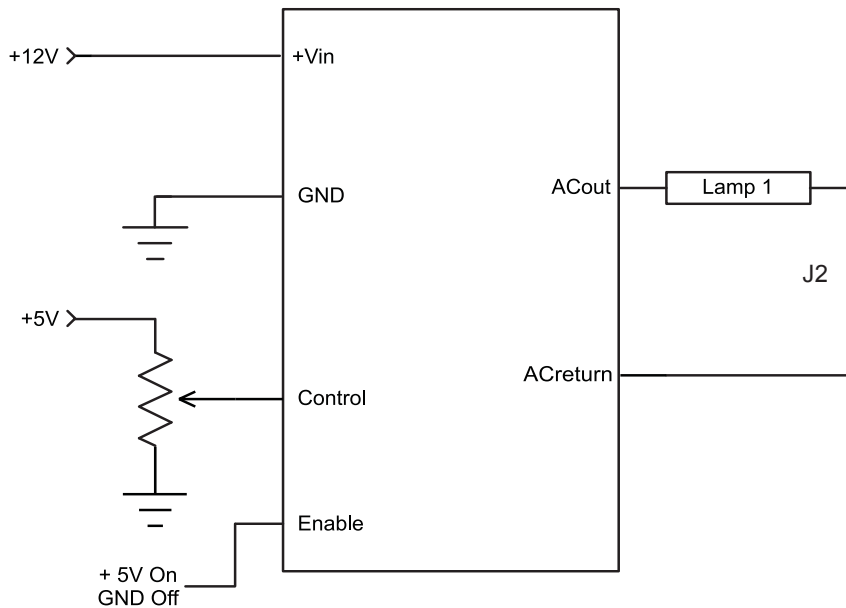
# Connection and Application Information

12 Volt Input Dc to Ac Inverter

D128mD60J2F



## Typical Application



Endicott Research Group, Inc.

2601 Wayne St., Endicott, NY 13760  
607-754-9187 Fax 607-754-9255  
<http://www.ergpower.com>

Specifications are subject to change without notice.

12/21/10

