

D Series



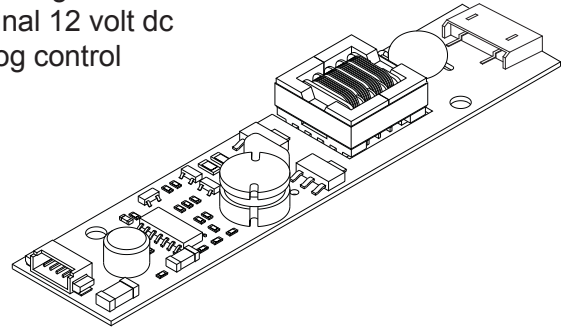
12 Volt Input Dc to Ac Inverter

D128mD60J

The D128mD60J is a generic dc to ac inverter designed to generate 6 mArms into a 350 - 550 volt load (CCFL) from a nominal 12 volt dc source. It can be easily dimmed using an external analog control signal.

FEATURES

- Low Profile
- Display compatible connector
- High efficiency



PHYSICAL SPECIFICATIONS

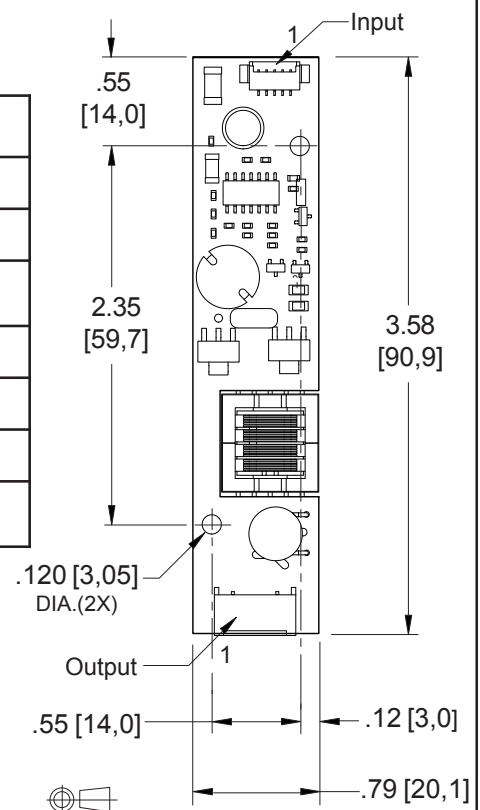
- Size: .79" x 3.58" x .32"
(without input connector) (20,1mm x 90,9mm x 8mm)
- Weight: 15 grams
- Component Surface Temperature: -20° to +80°C
- Storage Temperature: -20° to +85°C
- Humidity: 95% RH Max

Characteristics	Value	Units	Note(s)
Input Voltage	10.8 - 13.2	Vdc	
Input Current	0.30 typ	Adc	$R_L = 75 \text{ k}\Omega$
Minimum No Load Output Voltage	1400	Vrms	$V_{in} = 12.00 \text{ Vdc}$
Frequency	42 typ	kHz	$V_{in} = 12.00 \text{ Vdc}$
Output Current	6.0	mArms	$R_L = 75 \text{ k}\Omega$
Efficiency	75	%	Typical

The maximum input current (which indicates an overload condition) is 1.0 Adc maximum

- Input Connector: Molex 53261-0571
- Output Connector: JST SM02(8.0)B-BHS-1-TB or Yeon Ho 20015WR-05A00

Inverters specifically designed to match most popular LCD modules are also available. Contact your authorized distributor or ERG direct.



Pin Designation	
J1-1 +Vin	J2-1 ACout
J1-2 GND	J2-2 ACreturn
J1-3 Enable	
J1-4 Control	
J1-5 N/C	

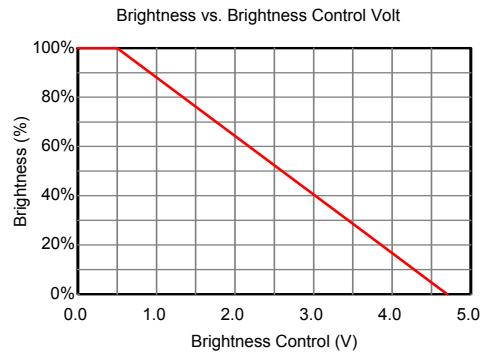
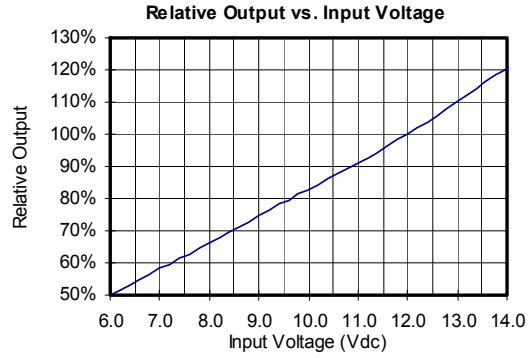
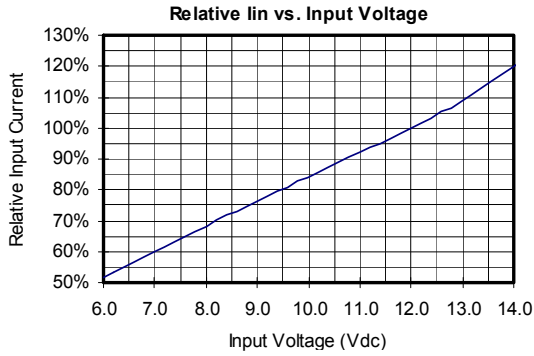
Endicott Research Group, Inc.

2601 Wayne St., Endicott, NY 13760
607-754-9187 Fax 607-754-9255
<http://www.ergpower.com>

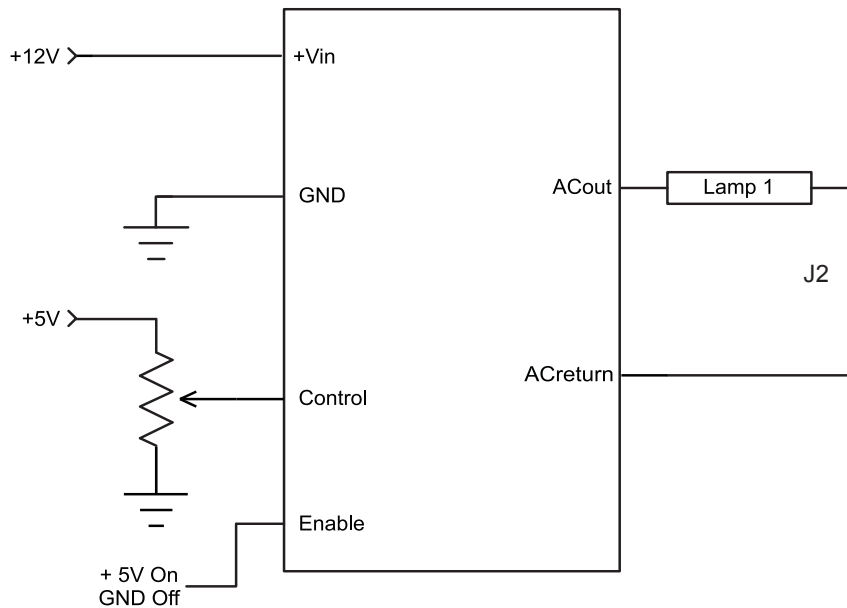
Connection and Application Information

12 Volt Input Dc to Ac Inverter

D128mD60J



Typical Application



Endicott Research Group, Inc.

2601 Wayne St., Endicott, NY 13760
 607-754-9187 Fax 607-754-9255
<http://www.ergpower.com>

Specifications are subject to change without notice.

12/21/10

