

D Series



12 Volt Input Dc to Ac Inverter

D10m55J

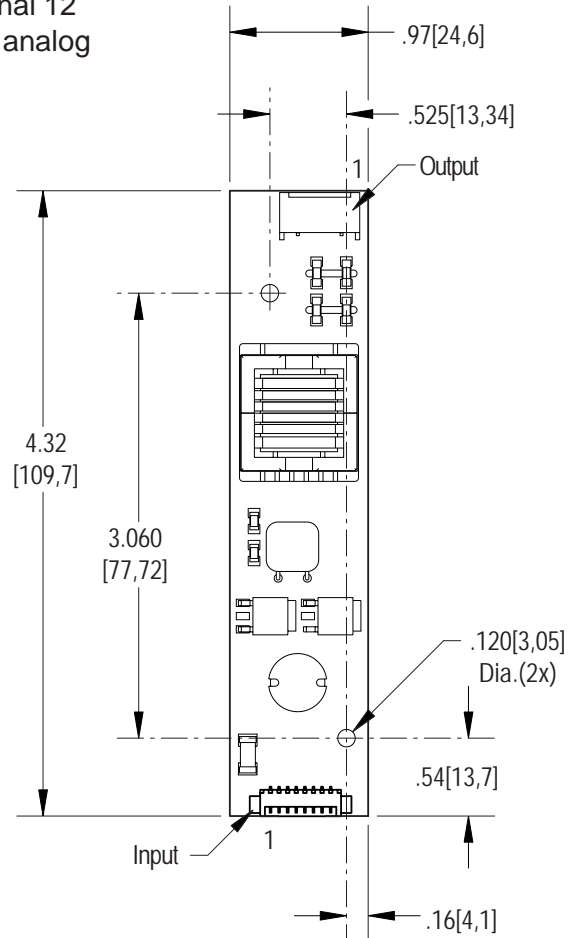
The D10m55J is a generic dc to ac inverter designed to generate 5.5 marms into a 525 - 725 volt load (CCFL) from a nominal 12 volt dc source. It can be easily dimmed using an external analog control signal.

FEATURES

- Low Profile (10mm)
- Display compatible connector
- High efficiency

PHYSICAL SPECIFICATIONS

- Size: .97" x 4.32" x .39"
(24,6mm x 135,1mm x 10mm)
- Weight: 15 grams
- Operating Temperature: 0° to +85°C
- Component Surface Temperature: -20° to +80°C
- Humidity: 95% RH Max



Characteristics	Value	Units	Note(s)
Input Voltage	10.8 - 13.2	Volts dc	
Input Current	.37 typ	Adc	$R_L = 114 \text{ Kohms}$
Minimum No Load Output Voltage	2200	Vrms	$V_{in} = 12.00 \text{ Vdc}$
Frequency	32typ	Khz	$V_{in} = 12.00 \text{ Vdc}$
Output Current	5.5	marms	$R_L = 114 \text{ Kohms}$
Efficiency	77	%	Typical

The maximum input current (which indicates an overload condition) is 1.0 Adc maximum

Input Connector: Molex 53261-0890
 Output Connector: JST SM02(8.0)B-BHS-1-TB or
 Yeon Ho 20015WR-05A00

Inverters specifically designed to match most popular LCD modules are also available. Contact your authorized distributor or ERG direct.

Pin Designation	
J1-1 Vin(+)	J2-1 ACout
J1-2 Vin(+)	J2-2 ACout
J1-3 GND	
J1-4 GND	
J1-5 Enable	
J1-6 NC	
J1-7 NC	
J1-8 NC	

Endicott Research Group, Inc.

2601 Wayne St., Endicott, NY 13760
 607-754-9187 Fax 607-754-9255
<http://www.ergpower.com>

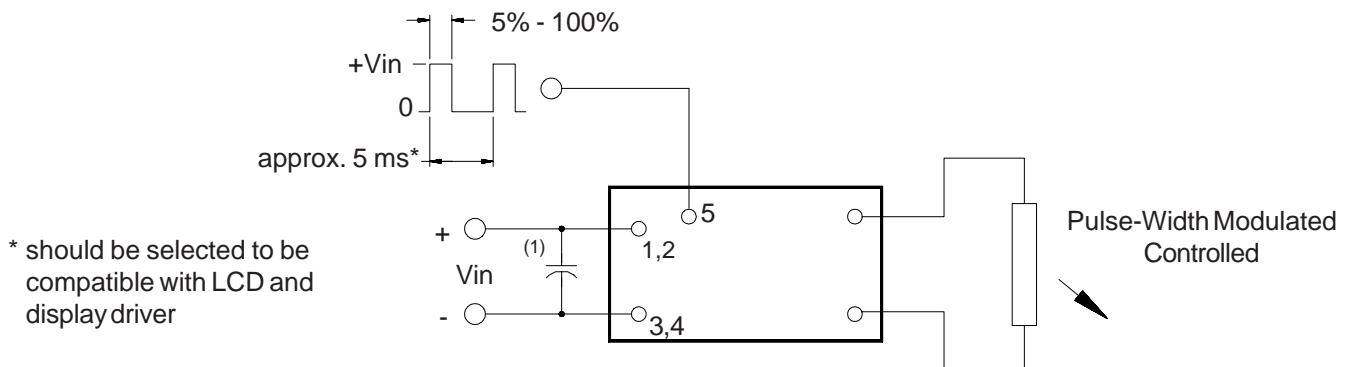
Connection and Application Information

12 Volt Input Dc to Ac Inverter

D10m55J

Application Notes:

- 1) The minimum distance from high voltage areas of the inverter to any conductive material should be .12 inches per kilovolt of starting voltage.
- 2) Mounting hardware should be non-conductive.
- 3) Open framed inverters should not be used in applications at altitudes over 10,000 feet.
- 4) Contact ERG for possible exceptions.



Note 1 - Low ESR type input by-pass capacitor (22 uf - 100uf) may be required to reduce reflected ripple.

Disable Circuit

