

# D Series

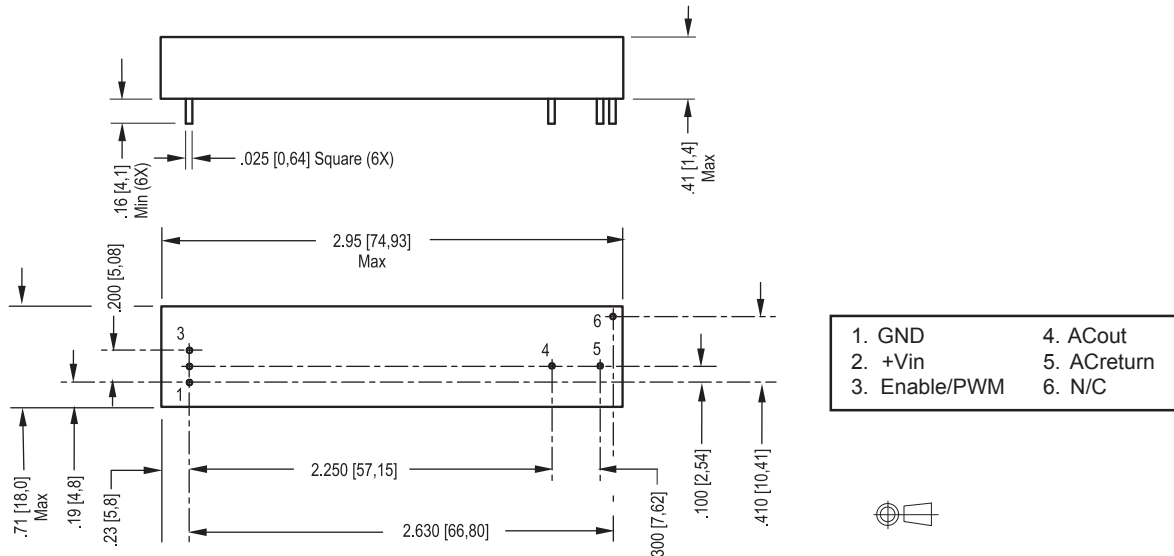


## 5 Volt Input Dc to Ac Inverter

## D05SE60F



The D05SE60F is a generic dc to ac inverter designed to generate 6 mArms into a 350 - 550 Volt load (CCFL) from a nominal 5 Volt dc source.



This view is from the top looking through pcb. It depicts layout for inverter to plug into.

### PHYSICAL SPECIFICATIONS

Size: .71" x 2.95" x .41"  
 Weight: 25 grams  
 Component Surface Temperature: -20° to +80°C  
 Storage Temperature: -40° to +85°C  
 Humidity: 95% RH (Non-Condensing) Max

Characteristics	Value	Units	Note(s)
Input Voltage	4.50 - 5.25	Vdc	
Input Current	0.72 typ	Adc	$R_L = 75 \text{ kOhms}$
Minimum No Load Output Voltage	1400	Vrms	$V_{in} = 5.00 \text{ Vdc}$
Frequency	39 typ	kHz	$V_{in} = 5.00 \text{ Vdc}$
Output Current	6.0	mArms	$R_L = 75 \text{ kOhms}$
Efficiency	75	%	Typical

The maximum input current (which indicates an overload condition) is 1.0 Adc maximum.

### FEATURES

Low Profile  
 PCB Mountable  
 High efficiency  
 Encapsulated

## Endicott Research Group, Inc.

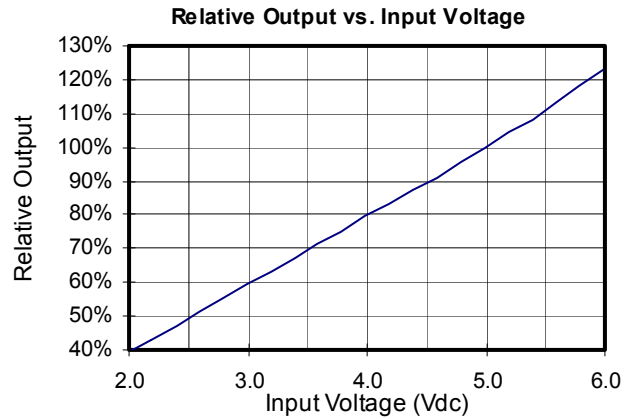
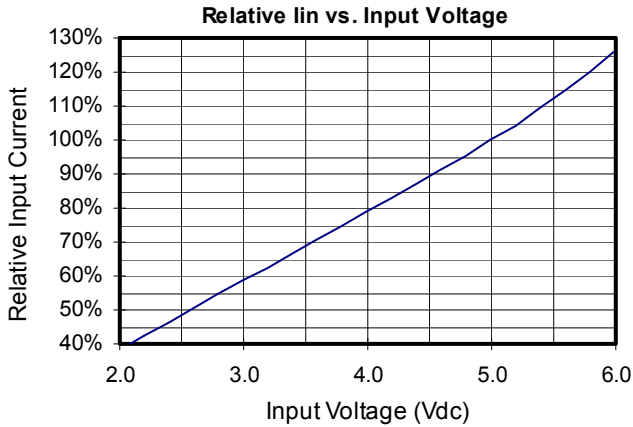
2601 Wayne St., Endicott, NY 13760  
 607-754-9187 Fax 607-754-9255  
<http://www.ergpower.com>

Inverters specifically designed to match most popular LCD modules are also available. Contact your authorized distributor or ERG direct.

# Connection and Application Information

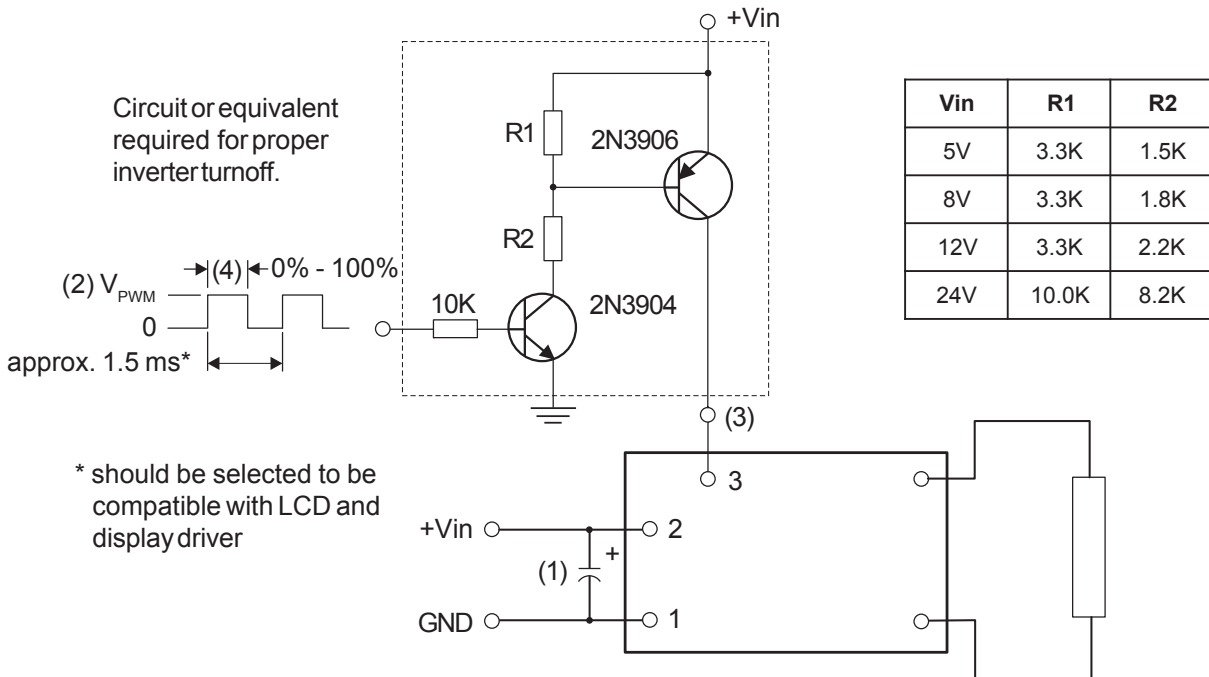
## 5 Volt Input Dc to Ac Inverter

# D05SE60F



### PWM Dimming

#### Required User Enable/Disable Interface Circuit



- (1) Low ESR type input by-pass capacitor (22 uf - 100 uf) may be required to reduce reflected ripple.
- (2)  $V_{P_{PWM}}$  from 2.4V to less than or equal to +Vin.
- (3) Full brightness without PWM control requires that pin 3 be tied to +Vin. Pin 3 must be at 0V to turn off.
- (4) Duty Cycle 0% - 100%.



Endicott Research Group, Inc.

2601 Wayne St., Endicott, NY 13760  
 607-754-9187 Fax 607-754-9255  
<http://www.ergpower.com>

Specifications are subject to change without notice.

02/09/11

