



Endicott Research Group, Inc.

2601 Wayne St., Endicott, NY 13760

607-754-9187 Fax 607-754-9255

http://www.ergpower.com

SFDTDB4222F



Specifications and Applications Information

08/14/12

Preliminary

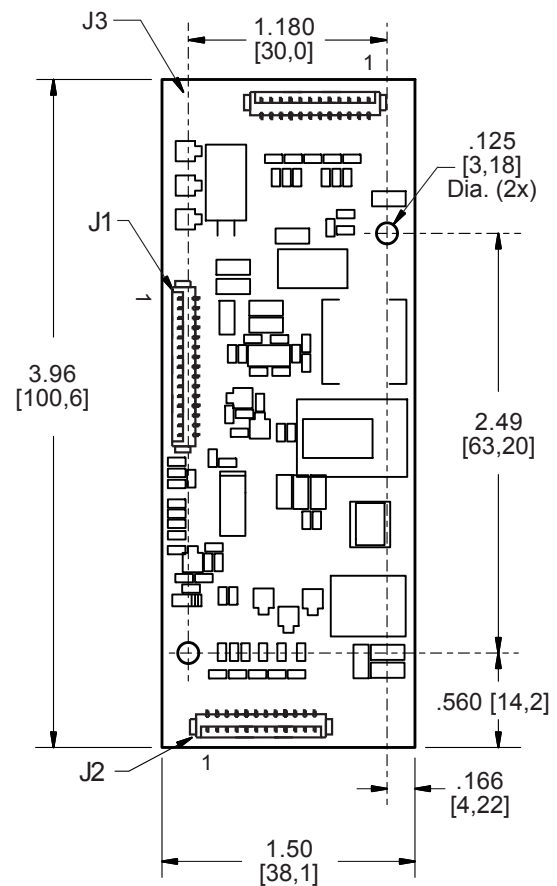
Smart Force LED Driver

The ERG *Smart Force Series* of LED Drivers are specifically designed for applications which require high efficiency, wide dimming and LCD brightness stability over a wide input voltage range. The SFDTDB4222F is designed to provide backlight power for the Sharp LQ190E1LW52 display.

Designed, manufactured and supported within the USA, the SFDTD features:

- ✓ Constant LED current
- ✓ High efficiency
- ✓ On-board PWM dimming
- ✓ High dimming ratio
- ✓ Seperate enable and dimming function
- ✓ Open/short circuit protection
- ✓ Soft start
- ✓ One year warranty

Package Configuration



PCB components are shown for reference only. Actual product may differ from that shown.

Mass: 20 grams typ.



Connectors

| Input Connector | | Output Connectors * | | | |
|------------------|---------|---------------------|-----------|-------|------------|
| Molex 53261-1571 | | Molex 53261-1271 | | | |
| J1-1,2,3 | Vin(+) | J2-1 | Cathode 1 | J3-1 | Cathode 6 |
| J1-4,5,6 | Vin(+) | J2-2 | Anode A | J3-2 | Anode B |
| J1-7,8,9 | GND | J2-3 | Cathode 2 | J3-3 | Cathode 7 |
| J1-10,11,12 | GND | J2-4 | N/C | J3-4 | N/C |
| J1-13 | Enable | J2-5 | Cathode 3 | J3-5 | Cathode 8 |
| J1-14 | N/C | J2-6 | N/C | J3-6 | N/C |
| J1-15 | Control | J2-7 | Cathode 4 | J3-7 | Cathode 9 |
| | | J2-8 | N/C | J3-8 | N/C |
| | | J2-9 | Cathode 5 | J3-9 | Cathode 10 |
| | | J2-10 | N/C | J3-10 | N/C |
| | | J2-11 | N/C | J3-11 | N/C |
| | | J2-12 | N/C | J3-12 | N/C |

* Requires harness (2X):
ERG part number H16606152 recommended

**Absolute Maximum Ratings**

| Rating | Symbol | Value | Units |
|----------------------|---------------|-------------|-------|
| Input Voltage Range | V_{in} | -0.3 to +18 | Vdc |
| Storage Temperature | T_{stg} | -40 to +85 | °C |
| Control Voltage | $V_{Control}$ | 0 to 6.0 | Vdc |
| Enable Input Voltage | V_{Enable} | 0 to 6.0 | Vdc |

Operating Characteristics

Unless otherwise noted $V_{in} = 12.00$ Volts dc and $T_a = 25^{\circ}\text{C}$.

| Characteristic | Symbol | Min | Typ | Max | Units |
|--|--------------|-------|-------|-------|-------|
| Input Voltage | V_{in} | +10.8 | +12.0 | +13.2 | Vdc |
| Component Surface Temperature (Note 1) | T_s | -20 | - | +80 | °C |
| Input Current (Note 2) | I_{in} | - | TBD | - | Adc |
| LED String Voltage | V_{LED} | 19 | - | 25 | Vdc |
| Efficiency (Note 2) | η | - | TBD | - | % |
| Output Current (per string) | I_{out} | 52 | 55 | 58 | mArms |
| Enable Pin | | | | | |
| Turn-on Threshold (Note 3) | V_{thon} | - | - | 1.8 | Vdc |
| Turn-off Threshold | V_{thoff} | 0.6 | - | - | Vdc |
| Enable Input Impedance (Note 4) | R_{Enable} | - | 8.5 | - | kOhms |
| Control Pin (Notes 5,6) | | | | | |
| Full-on Threshold | V_{fon} | - | 1.0 | - | Vdc |
| Minimum Pulse Width Threshold | V_{PWmin} | - | 4.5 | - | Vdc |

Specifications subject to change without notice.

- Note 1 Surface temperature must not exceed 80°C ; thermal management actions may be required.
 Note 2 Input Current and Efficiency are calculated with 32V LED strings.
 Note 3 Enable pin is internally pulled up above the Turn-on Threshold.
 Note 4 Enable pin input impedance is 8.5 k Ω to 3V with 12V input voltage.
 Note 5 Internally pulled up above the Turn-on Threshold.
 Note 6 Control pin input impedance is 485 k Ω .



Onboard PWM

Unless otherwise noted $V_{in} = 12.00$ Volts DC, $T_a = 25$ °C and unit has been running for 5 minutes.

| Characteristic | Symbol | Min | Typ | Max | Units |
|----------------------------|-------------|-----|-----|-----|---------|
| Frequency | f_{pwm} | - | 245 | - | Hz |
| Control Input Bias Current | I_{cbias} | - | - | 10 | μA |

Application Information

The ERG SFDTDB4222F has been designed to be configured in multiple ways:

NO DIMMING

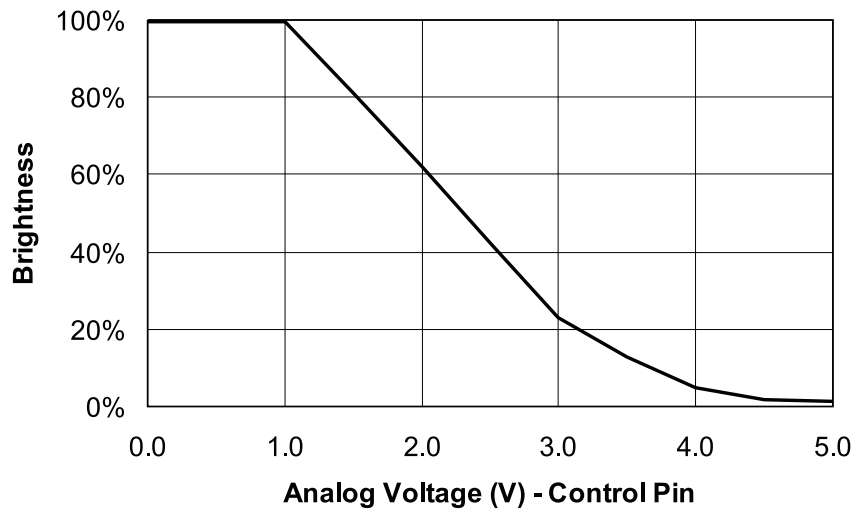
- OPERATION: The SFD driver can be configured to operate without dimming by floating the Control Pin (J1-15) and the Enable Pin (J1-13).
- Pins 1 through 6 of connector J1 must be connected to +Vin, between 10.8 and 13.2 Vdc. Pins 7 through 12 of connector J1 must be connected to GND.

ONBOARD PWM DIMMING

- OPERATION: Onboard PWM configuration as shown in Figure 1 allows the user to control display brightness by controlling the onboard PWM generator. The user is responsible to provide an analog control signal. A dimming ratio up to 255:1 is possible with this configuration.
- DIMMING: Dimming is accomplished by applying an analog voltage to the Control Pin (J1-15). Display brightness is modulated by controlling the Control Pin voltage as shown in Graph 1.
- ENABLE/DISABLE: The driver may be enabled or disabled (turned on and off) by applying a DC voltage to the Enable Pin(J1-13). Enable Pin on and off levels are specified in the Operating Characteristics section of the data sheet. The driver can also be enabled by floating the Enable Pin.
- Pins 1 through 6 of connector J1 must be connected to +Vin, between 10.8 and 13.2 Vdc. Pins 7 through 12 of connector J1 must be connected to GND. Pin 14 may be left floating or pulled up.



ONBOARD PWM DIMMING



Graph 1

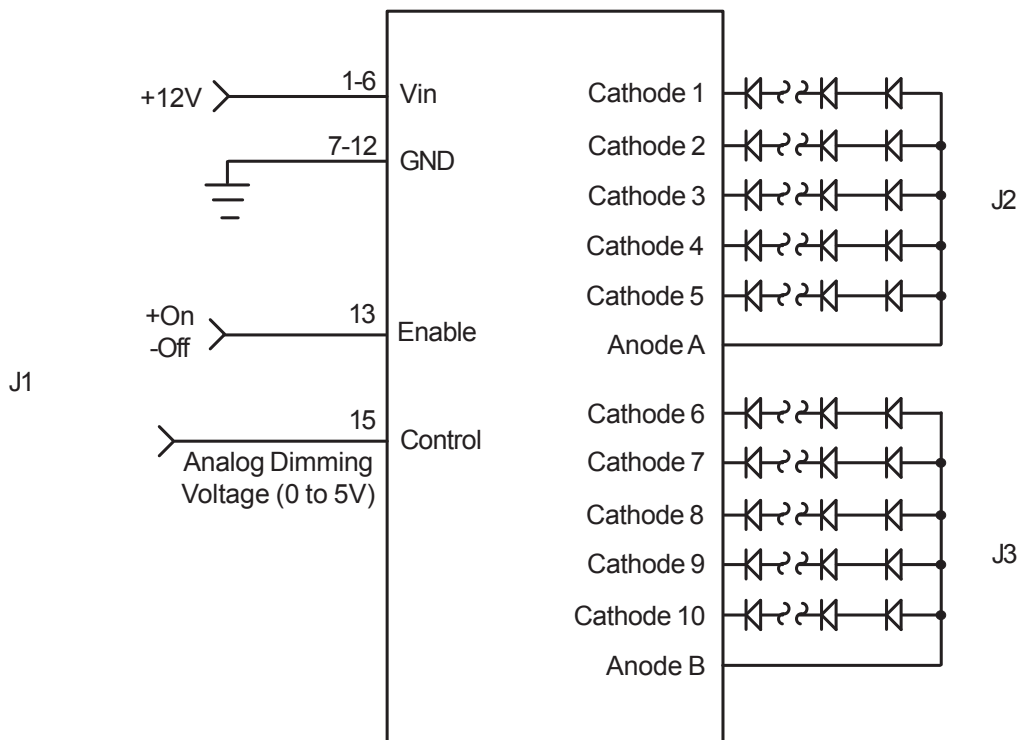


Figure 1



Endicott Research Group, Inc. (ERG) reserves the right to make changes in circuit design and/or specifications at any time without notice. Accordingly, the reader is cautioned to verify that data sheets are current before placing orders. Information furnished by ERG is believed to be accurate and reliable. However, no responsibility is assumed by ERG for its use.