



Endicott Research Group, Inc.

2601 Wayne St., Endicott, NY 13760

607-754-9187 Fax 607-754-9255

http://www.ergpower.com

# SFDHDB4342F



## Specifications and Applications Information

04/11/14

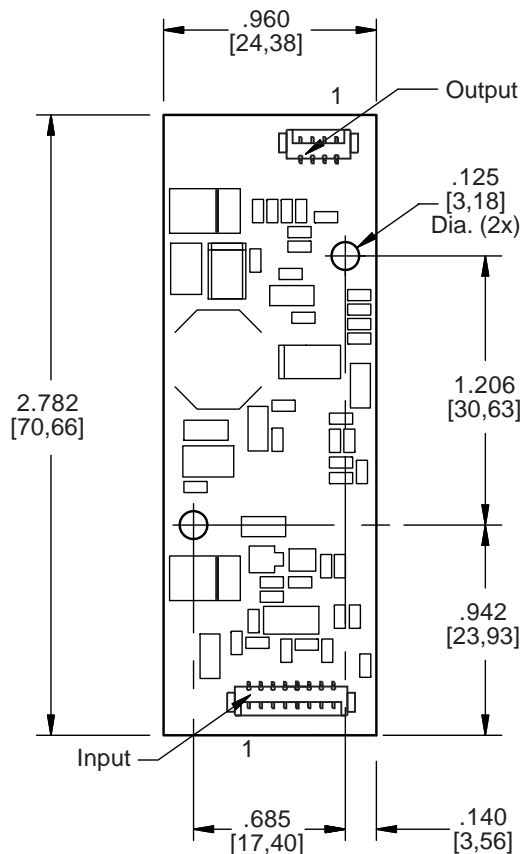
### Smart Force LED Driver

The ERG *Smart Force Series* of LED Drivers are specifically designed for applications which require high efficiency, small footprint and LCD brightness stability from a 12 Volt dc source. The SFDHDB4342F is designed to provide backlight power for the ERG SFS4293F LED stick.

Designed, manufactured and supported within the USA, the SFDHDB features:

- ✓ Less than 5 mm in height
- ✓ Constant LED current
- ✓ Open and short circuit protection
- ✓ High efficiency
- ✓ Separate enable and dimming function
- ✓ Analog dimming function
- ✓ Soft start
- ✓ One year warranty

#### Package Configuration



PCB components are shown for reference only. Actual product may differ from that shown.

Connectors	
Input Connector	Output Connector
Molex 53261-0871	Molex 53261-0471
J1-1 Vin(+) J1-2 Vin(+) J1-3 GND J1-4 GND J1-5 Enable J1-6 N/C J1-7 Control J1-8 Fault Indicator (output)	J2-1 Cathode 1 J2-2 Anode A J2-3 Cathode 2 J2-4 N/C

Mass: 8 grams typ.



**Absolute Maximum Ratings**

Rating	Symbol	Value	Units
Input Voltage Range	$V_{in}$	-0.3 to +15	Vdc
Storage Temperature	$T_{stg}$	-40 to +85	°C
Enable Input Voltage	$V_{Enable}$	0 to +5.5	Vdc
Control Input Voltage	$V_{PWM}$	0 to +5.5	Vdc
Fault Indicator	$V_{FL}$	0 to +4.0	Vdc

**Operating Characteristics**

Unless otherwise noted  $V_{in} = 12.00$  Volts dc and  $T_a = 25^{\circ}\text{C}$ .

Characteristic	Symbol	Min	Typ	Max	Units
Input Voltage	$V_{in}$	+10.8	+12.0	+13.2	Vdc
Component Surface Temperature (Note 1)	$T_s$	-40	-	+80	°C
Input Current	$I_{in}$	-	0.56	-	Adc
LED String Voltage (Note 2)	$V_{LED}$	15	-	35	Vdc
Efficiency (Note 3)	$\eta$	-	87	-	%
Output Current (per string)	$I_{out}$	95.8	100.8	105.0	mAdc
<b>Enable Pin</b> (Note 4)					
Turn-on Threshold	$V_{thon}$	-	-	2.0	Vdc
Turn-off Threshold	$V_{thoff}$	0.8	-	-	Vdc
Enable Input Impedance (Note 5)	$R_{Enable}$	-	100	-	kOhms
<b>Control Pin</b> (Notes 6,7)					
Full-on Threshold	$V_{thon}$	-	0.5	-	Vdc
Minimum Pulse Width Threshold	$V_{PWmin}$	-	5.0	-	Vdc
Control Input Bias Current	$I_{Cbias}$	-	-	10	uA
Frequency	$F_{PWM}$	-	245	-	Hz

(Operating Characteristics and notes are continued on next page.)



## Operating Characteristics (continued)

Characteristic	Symbol	Min	Typ	Max	Units
<b>Fault Indicator</b>					
No Fault Level (Note 8)	$V_{NFL}$	-	3.7	-	Vdc
Fault Level (Note 8)	$V_{FL}$	-	0.3	-	Vdc

Specifications subject to change without notice.

- Note 1 Surface temperature must not exceed 80°C, except U1, which cannot exceed 105°C.
- Note 2 If maximum string voltage is exceeded, driver will enter overvoltage self protection mode and shut down. Reducing the LED string voltage then toggling the Enable and/or power cycling the driver, will restart the driver.
- Note 3 Efficiency is calculated using a 29V LED string.
- Note 4 If the Enable pin is floated, the driver defaults to the OFF mode.
- Note 5 Enable pin input impedance is 100kΩ to ground.
- Note 6 If the Control pin is floated while the Enable pin is active high, the driver defaults to the full ON mode.
- Note 7 Control pin input impedance is 112kΩ to ground.
- Note 8 Loading with an impedance less than 100kΩ to Vcc or to ground may cause the default levels to change.



## Application Information

The ERG SFDHDB4342F has been designed to be configured in multiple ways:

### NO DIMMING

- OPERATION: The SFDHD can be configured to operate without dimming. Contact ERG for details.
- Pins 1 and 2 of connector J1 must be connected to +Vin, between 10.8 and 13.2 Vdc. Pins 3 and 4 of connector J1 must be connected to GND.
- DISABLING DRIVER: Pulling the Enable pin (J1-5) below the minimum turn-off threshold of 0.8V or allowing the Enable pin to float, will disable the driver.

### ONBOARD PWM DIMMING

- OPERATION: Onboard PWM configuration as shown in Figure 1 allows the user to control display brightness by controlling the onboard PWM generator. The user is responsible to provide an analog control signal.
- DIMMING: Dimming is accomplished by applying an analog voltage to the Control Pin (J1-7). Display brightness is modulated as shown in Graph 1. Reversed dimming slope to that shown in Graph 1 is possible. Contact ERG for details.
- ENABLE/DISABLE: The driver may be enabled by applying a DC voltage to the Enable Pin(J1-5). Enable Pin on and off levels are specified in the Operating Characteristics section of the data sheet. The driver can be disabled by applying a minimum turn-off threshold of 0.8V or by allowing the Enable Pin to float.

### EXTERNAL PWM DIMMING

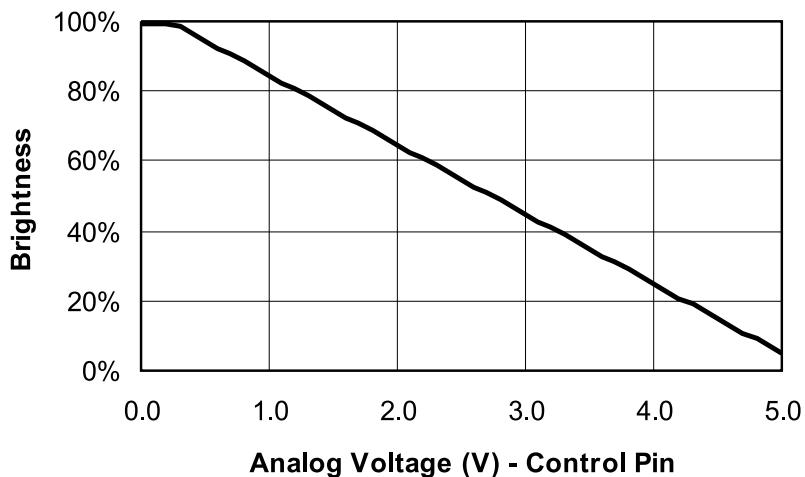
- Dimming with a user provided external PWM signal is possible. PWM signal levels must conform to the enable voltage levels of  $V_{thon}$  and  $V_{thoff}$  as specified. Contact ERG for details.

### FAULT INDICATOR

- The Fault Indicator pin (J1-8) may be used as a feedback signal that will fall below the fault level of 0.3V in the case of an open string, a shorted string, an output overvoltage condition, or an over temperature condition. If used, this pin should be loaded with a high impedance stage as specified in the Operating Characteristics. Do not drive this pin with a voltage, as it will damage the driver.



## ONBOARD PWM DIMMING



Graph 1

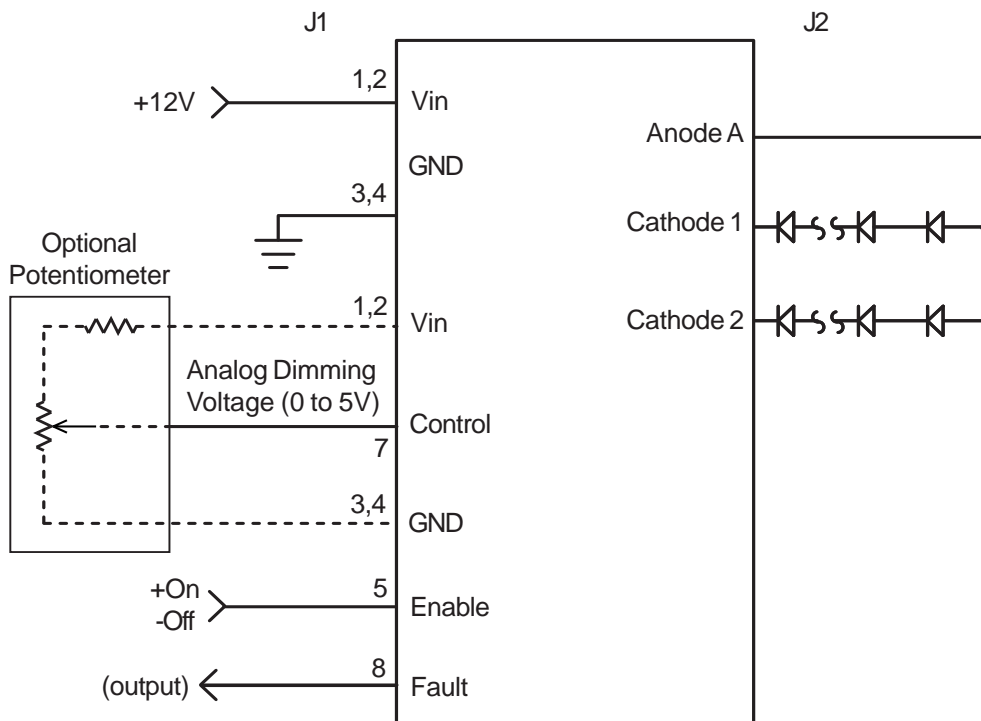


Figure 1



Endicott Research Group, Inc. (ERG) reserves the right to make changes in circuit design and/or specifications at any time without notice. Accordingly, the reader is cautioned to verify that data sheets are current before placing orders. Information furnished by ERG is believed to be accurate and reliable. However, no responsibility is assumed by ERG for its use.