



Endicott Research Group, Inc.

2601 Wayne St., Endicott, NY 13760

607-754-9187 Fax 607-754-9255

http://www.ergpower.com

SFD2EB3893F



Specifications and Applications Information

03/21/11

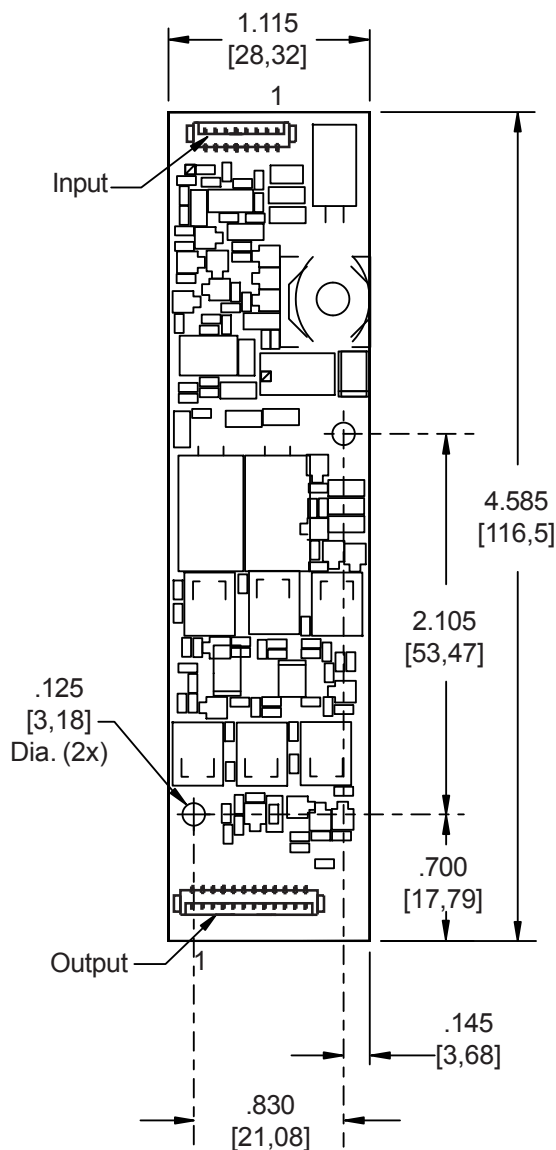
Smart Force LED Driver

The ERG *Smart Force Series* of LED Drivers are specifically designed for applications which require wide dimming and LCD brightness stability over a wide input voltage range. The SFD2EB3893F is designed to provide backlight power for the Sharp LQ150X1LG82 display.

Designed, manufactured and supported within the USA, the SFD2E features:

- ✓ 10 mm or less in height
- ✓ Wide input voltage range
- ✓ Constant LED current
- ✓ External dimming or on-board dimming
- ✓ High dimming ratio
- ✓ Soft start
- ✓ One year warranty

Package Configuration



Mass: 18 grams typ.



Connectors

Input Connector	Output Connector*
Molex 53261-0871	Molex 53261-1271
J1-1 Vin(+) J1-2 Vin(+) J1-3 Vin(+) J1-4 GND J1-5 GND J1-6 GND J1-7 Enable J1-8 Control	J2-1 Cathode 1 J2-2 Anode 1 J2-3 (do not use) J2-4 (do not use) J2-5 Cathode 2 J2-6 Anode 2 J2-7 (do not use) J2-8 (do not use) J2-9 Cathode 3 J2-10 Anode 3 J2-11 (do not use) J2-12 (do not use)
	* Requires harness: ERG part number H12406152 recommended

**Absolute Maximum Ratings**

Rating	Symbol	Value	Units
Input Voltage Range	V_{in}	-0.3 to +20.0	Vdc
Storage Temperature	T_{stg}	-40 to +85	°C
Enable Input Voltage	V_{Enable}	0 to V_{in}	Vdc
Control Input Voltage	V_{PWM}	0 to +5.0	Vdc

Operating Characteristics

Unless otherwise noted $V_{in} = 12.00$ Volts dc and $T_a = 25^{\circ}\text{C}$.

Characteristic	Symbol	Min	Typ	Max	Units
Input Voltage	V_{in}	+10.8	+12.0	+18.0	Vdc
Component Surface Temperature (Note 1)	T_s	-40	-	+80	°C
Peak Inrush Current (Note 2)	I_{peak}	-	1.1	-	Adc
Input Current	I_{in}	0.79	0.93	1.07	Adc
LED String Voltage	V_{LED}	27.2	-	36.8	Vdc
Efficiency (Note 3)	η	-	84	-	%
Output Current (per string)	I_{out}	93	98	103	mAdc
Enable Pin					
Turn-on Threshold	V_{thon}	-	-	2.0	Vdc
Turn-off Threshold	V_{thoff}	0.8	-	-	Vdc
Enable Input Impedance (Note 4)	R_{Enable}	-	5.0	-	kOhms
Control Pin (Notes 5,6)					
Full-on Threshold	V_{thon}	-	1.0	-	Vdc
Full-off Threshold	V_{thoff}	-	4.5	-	Vdc
Control Input Bias Current	I_{Cbias}	-	-	10	uA
Frequency	F_{PWM}	-	245	-	Hz

Specifications subject to change without notice.

- Note 1 Surface temperature must not exceed 80°C .
 Note 2 Peak inrush occurs over a 1 to 3 ms time period during initial startup.
 Note 3 Efficiency is calculated using a 32V LED string.
 Note 4 Enable pin input impedance is $5.0\text{k}\Omega$ to 2.5V .
 Note 5 Control pin is internally pulled up above the turn-on threshold.
 Note 6 Control pin input impedance is $485\text{k}\Omega$.



Application Information

The ERG SFD2EB3893F has been designed to be configured in multiple ways:

NO DIMMING

- OPERATION: The SFD2E can be configured to operate without dimming by floating the Control (J1-8) pin.
- Pins 1, 2 and 3 of connector J1 must be connected to +Vin, between 10.8 and 18 Vdc. Pins 4, 5 and 6 of connector J1 must be connected to GND.
- Enable Pin (J1-7) must be high for driver to be on.

ONBOARD PWM DIMMING

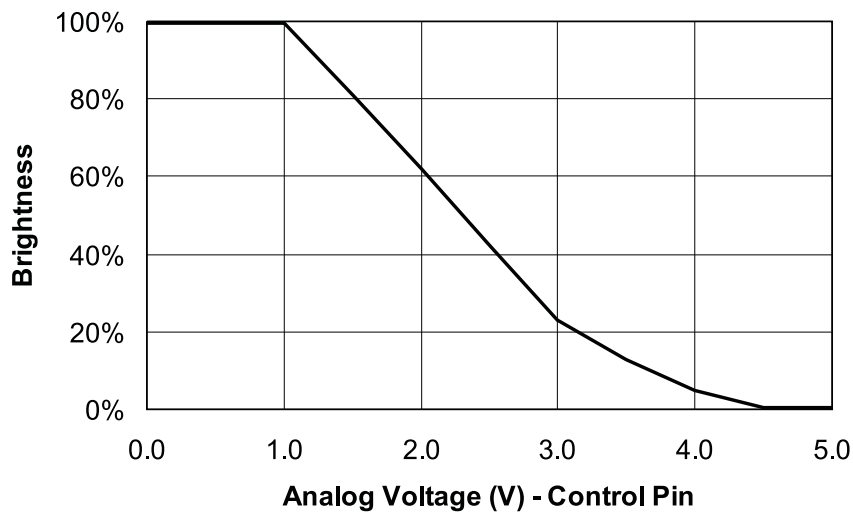
- OPERATION: Onboard PWM configuration as shown in Figure 1 allows the user to control display brightness by controlling the onboard PWM generator. The user is responsible to provide an analog control signal. A minimum pulse width of 80 μ s is possible with this configuration.
- DIMMING: Dimming is accomplished by applying an analog voltage to the Control Pin (J1-8). Display brightness is modulated by controlling the Control Pin voltage as shown in Graph 1.
- ENABLE/DISABLE: The driver may be enabled or disabled (turned on and off) by applying a DC voltage to the Enable Pin(J1-7). Enable Pin on and off levels are specified in the Operating Characteristics section of the data sheet.
- Pins 1, 2 and 3 of connector J1 must be connected to +Vin, between 10.8 and 18 Vdc. Pins 4, 5 and 6 of connector J1 must be connected to GND.

EXTERNAL PWM DIMMING

- OPERATION: External PWM configuration as shown in Figure 2 allows the user to control display brightness with an externally generated PWM signal. The user is responsible to provide the PWM signal. A minimum pulse width of 80 μ s is possible with this configuration.
- DIMMING: Dimming is accomplished by applying a PWM signal to the Enable Pin (J1-7). Enable on and off levels are specified in the Operating Characteristics section of the data sheet. Display brightness is modulated by controlling the PWM duty cycle as shown in Graph 2.
- Pins 1 through 3 of connector J1 must be connected to +Vin, between 10.8 and 18 Vdc. Pins 4 through 6 of connector J1 must be connected to GND.



ONBOARD PWM DIMMING



Graph 1

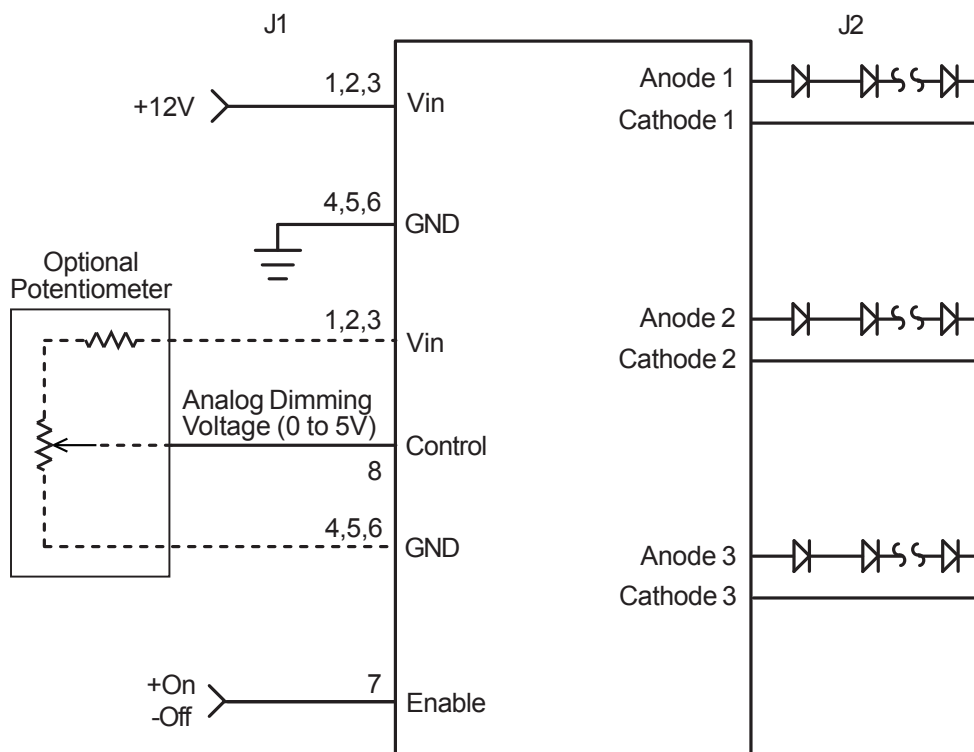
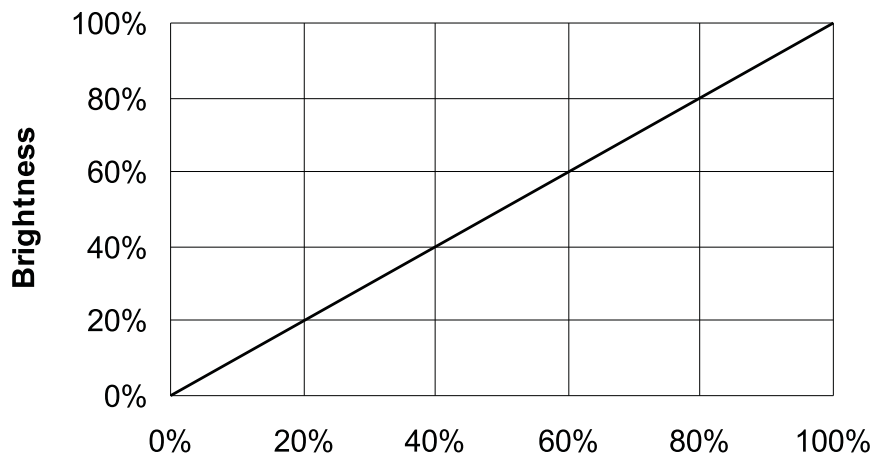


Figure 1



EXTERNAL PWM DIMMING



PWM Duty Cycle - Enable Pin ⁽¹⁾

(1) Nonlinear relationship from 0 to 2% duty cycle.

Graph 2

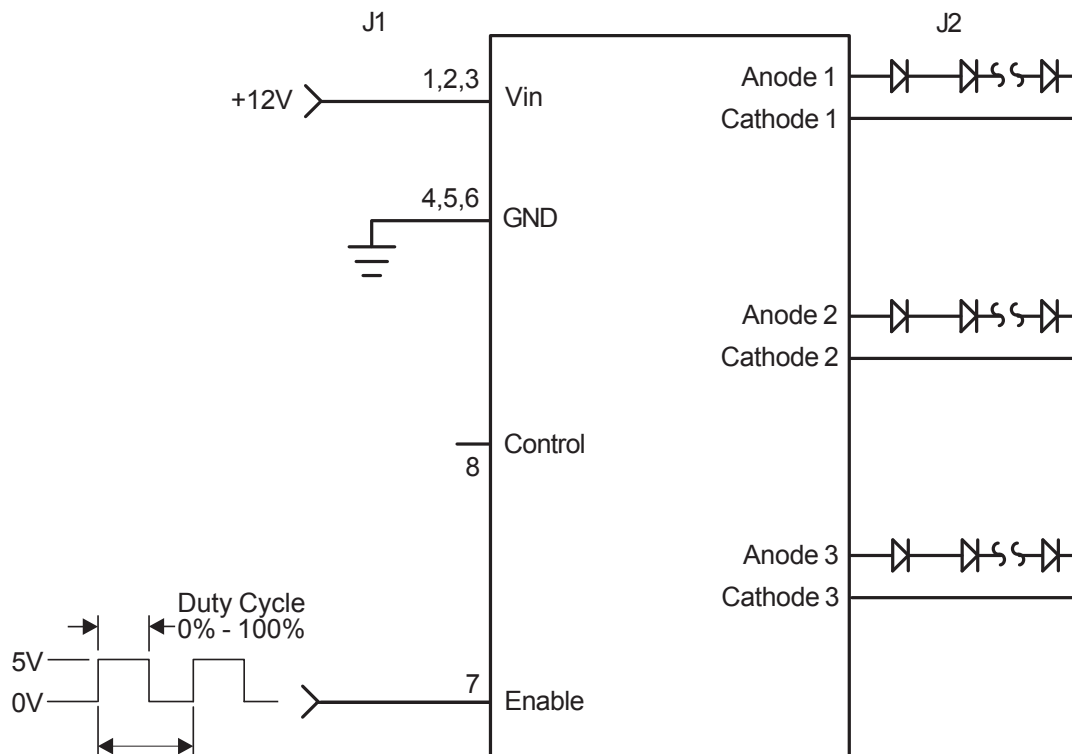


Figure 2



Endicott Research Group, Inc. (ERG) reserves the right to make changes in circuit design and/or specifications at any time without notice. Accordingly, the reader is cautioned to verify that data sheets are current before placing orders. Information furnished by ERG is believed to be accurate and reliable. However, no responsibility is assumed by ERG for its use.