



Endicott Research Group, Inc.

2601 Wayne St., Endicott, NY 13760

607-754-9187 Fax 607-754-9255

http://www.ergpower.com

# SFDLB3882F



## Specifications and Applications Information

10/20/08

Preliminary

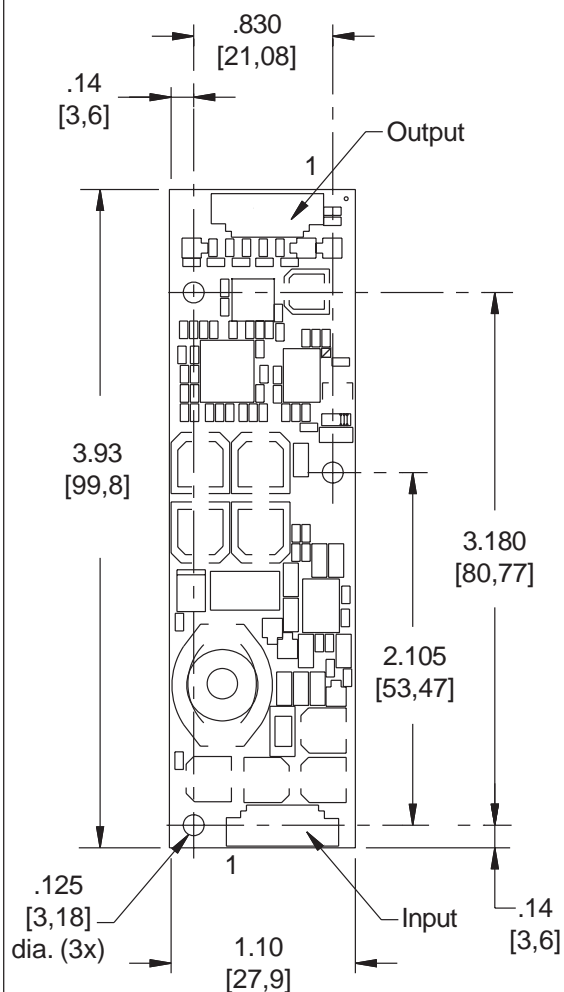
## Smart Force LED Driver

The ERG **Smart Force Series** of LED Drivers are specifically designed for applications which require wide dimming and LCD brightness stability over a wide input voltage range. The SFDLB3882F is designed to provide backlighting for the NEC NL6448BC33-63D-L display.

Designed, manufactured and supported within the USA, the SFDL features:

- ✓ Less than 8 mm in height
- ✓ Wide input voltage range
- ✓ Constant LED current
- ✓ External or internal dimming
- ✓ High dimming ratio
- ✓ Separate enable & dimming function
- ✓ Soft start
- ✓ One year warranty

### Package Configuration



PCB components are shown for reference only. Actual product may differ from that shown.

Mass: 17 grams



### Connectors

Input Connector	Output Connector *
Molex 53261-0871	Molex 53261-1271
J1-1 Vin(+)	J2-1 Cathode 1
J1-2 Vin(+)	J2-2 Anode 1
J1-3 GND	J2-3 Cathode 2
J1-4 GND	J2-4 Anode 2
J1-5 Enable	J2-5 Cathode 3
J1-6 Vin(+)	J2-6 Anode 3
J1-7 Control	J2-7 Cathode 4
J1-8 GND	J2-8 Anode 4
	J2-9 Cathode 5
	J2-10 Anode 5
	J2-11 (do not use)
	J2-12 (do not use)

\* Requires harness  
ERG part number H11510XXX recommended

**Absolute Maximum Ratings**

Rating	Symbol	Value	Units
Input Voltage Range	$V_{in}$	-0.3 to +20.0	Vdc
Storage Temperature	$T_{stg}$	-40 to +85	°C
Control Voltage	$V_{Control}$	0 to 5.0	Vdc
Enable Input Voltage	$V_{Enable}$	0 to $V_{in}$	Vdc

**Operating Characteristics**

Unless otherwise noted  $V_{in} = 12.00$  Volts dc and  $T_a = 25^\circ\text{C}$ .

Characteristic	Symbol	Min	Typ	Max	Units
Input Voltage	$V_{in}$	+10.0	+12.0	+20.0	Vdc
Component Surface Temperature (Note 1)	$T_s$	-20	-	+80	°C
Input Current	$I_{in}$	0.39	0.46	0.53	Adc
LED String Voltage	$V_{LED}$	26.7	29.7	33.8	Vdc
Efficiency	<b>h</b>	-	70	-	%
Output Current (per string)	$I_{out}$	24.2	25.5	26.8	mAdc
<b>Enable Pin</b> (Note 2)					
Turn-on Threshold	$V_{thon}$	-	-	1.55	Vdc
Turn-off Threshold	$V_{thoff}$	1.25	-	-	Vdc
Enable Input Impedance	$R_{Enable}$	-	5.0	-	kOhms
<b>Control Pin</b>					
Full-on Threshold	$V_{fon}$	-	0.9	-	Vdc
Full-off Threshold	$V_{foff}$	-	4.2	-	Vdc

Specifications subject to change without notice.

- Note 1 Surface temperature must not exceed  $80^\circ\text{C}$ , except for U5 which must be kept below  $100^\circ\text{C}$ ; thermal management actions may be required.
- Note 2 The input voltage to the driver must be within its operating characteristic before the driver is enabled, otherwise the driver may not start or may shut down unexpectedly.



## Onboard PWM

Unless otherwise noted  $V_{in} = 12.00$  Volts DC,  $T_a = 25$  °C and unit has been running for 5 minutes.

Characteristic	Symbol	Min	Typ	Max	Units
Frequency	$f_{pwm}$	-	160	-	Hz
Control Input Bias Current	$I_{cbias}$	-	-	10	$\mu A$

## Application Information

The ERG SFDLB3882F has been designed to be configured in multiple ways:

### NO DIMMING

- OPERATION: The SFD driver can be configured to operate without dimming by floating the Control Pin (J1-7), and the Enable Pin (J1-5).
- Pins 1 and 2 of connector J1 must be connected to +Vin, between 10 and 20 Vdc. Pins 3 and 4 of connector J1 must be connected to GND.

### ONBOARD PWM DIMMING

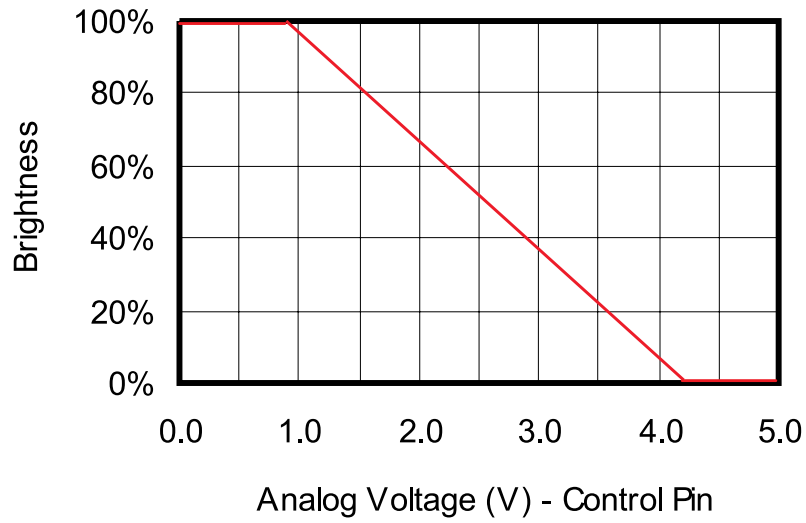
- OPERATION: Onboard PWM configuration as shown in Figure 1 allows the user to control display brightness by controlling the onboard PWM generator. The user is responsible to provide an analog control signal. A dimming ratio up to 1000:1 is possible with this configuration.
- DIMMING: Dimming is accomplished by applying an analog voltage to the Control Pin (J1-7). Display brightness is modulated by controlling the Control Pin voltage as shown in Graph 1.
- ENABLE/DISABLE: The driver may be enabled or disabled (turned on and off) by applying a DC voltage to the Enable Pin(J1-5). Enable Pin on and off levels are specified in the Operating Characteristics section of the data sheet. The driver can also be enabled by floating the Enable Pin.
- Pins 1 and 2 of connector J1 must be connected to +Vin, between 10 and 20 Vdc. Pins 3 and 4 of connector J1 must be connected to GND.

### EXTERNAL PWM DIMMING

- OPERATION: External PWM configuration as shown in Figure 2 allows the user to control display brightness with an externally generated PWM signal. The user is responsible to provide the PWM signal. A dimming ratio up to 5000:1 is possible with this configuration.
- DIMMING: Dimming is accomplished by applying a PWM signal to the Enable Pin (J1-5). PWM on and off levels are specified in the Operating Characteristics section of the data sheet. Display brightness is modulated by controlling the PWM duty cycle as shown in Graph 2.
- ENABLE/DISABLE: The driver may be enabled or disabled (turned on and off) by applying a DC voltage to the Control Pin (J1-7). Control Pin on and off levels are specified in the Operating Characteristics section of the data sheet. The driver can also be enabled by floating the Control pin.
- Pins 1 and 2 of connector J1 must be connected to +Vin, between 10 and 20 Vdc. Pins 3 and 4 of connector J1 must be connected to GND.



## ONBOARD PWM DIMMING



Graph 1

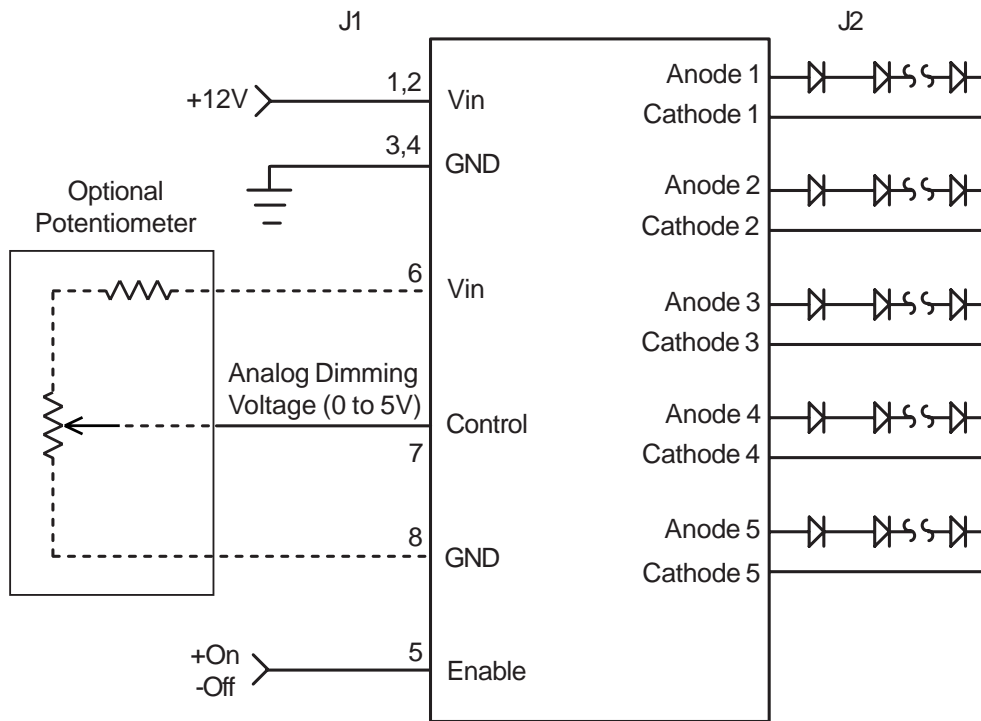
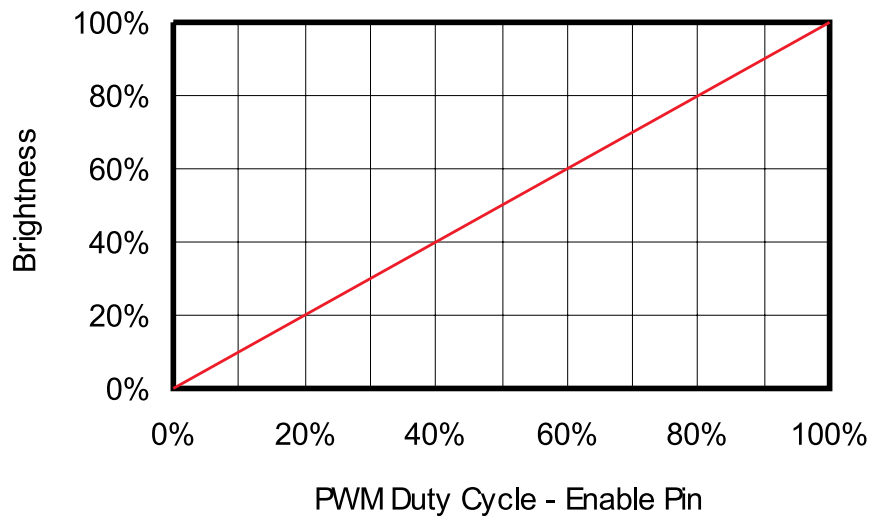


Figure 1



## EXTERNAL PWM DIMMING



Graph 2

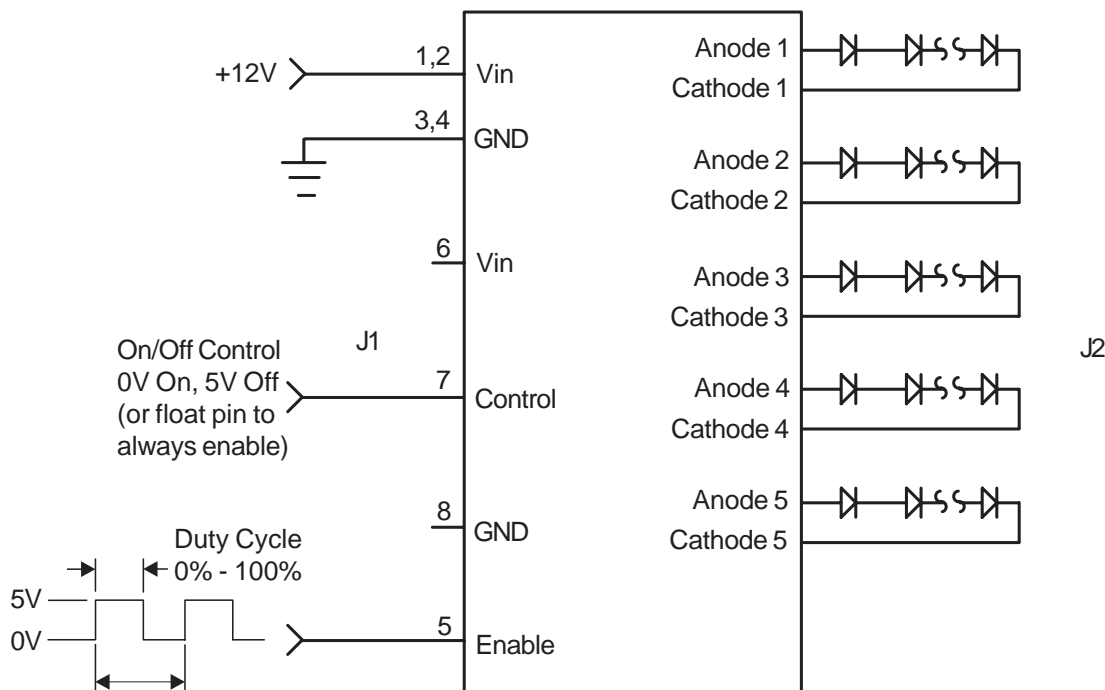


Figure 2



Endicott Research Group, Inc. (ERG) reserves the right to make changes in circuit design and/or specifications at any time without notice. Accordingly, the reader is cautioned to verify that data sheets are current before placing orders. Information furnished by ERG is believed to be accurate and reliable. However, no responsibility is assumed by ERG for its use.