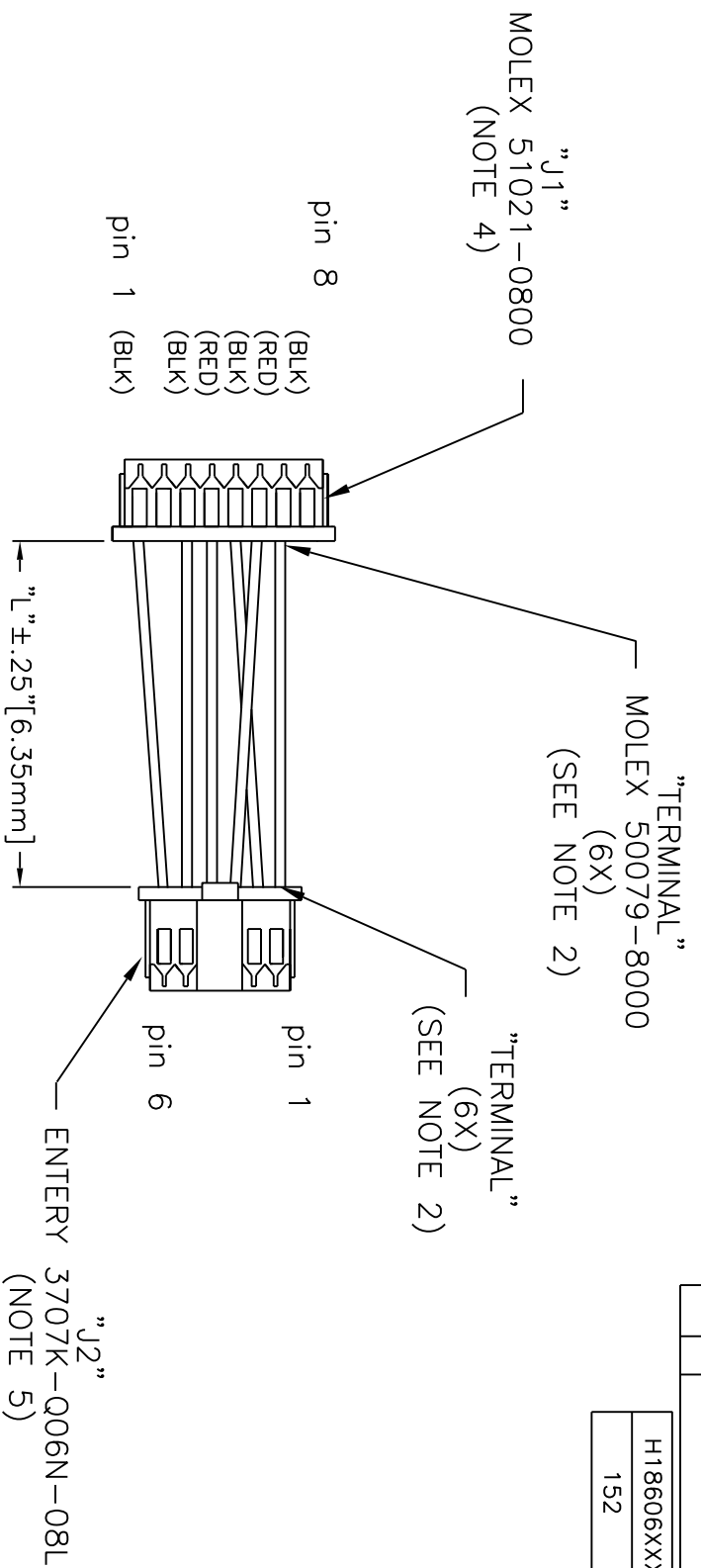


REVISIONS				
ZONE	REV.	DESCRIPTION	DATE	APPROVED
	0	RELEASED	04/18/13	CC

H18606XXX	"L" (length)
152	6"



- NOTE:
1. WIRES TO BE #26 AWG MIL STD W16878 TYPE B (BELDEN #8504 OR EQUIVELANT) IN COLORS AND LENGTHS LISTED.
 2. CABLE INSULATION TO BE CAPTIVATED BY CRIMP TERMINAL, PER IPC/WHMA-A-620.
 3. WIRES COLORS ARE LISTED IN ().
 4. CONNECTOR J1 IS POPULATED IN POSITIONS 1,3,4,5,6 AND 7.
 5. CONNECTOR J2 IS POPULATED IN POSITIONS 1,2,3,4,5 AND 6.

TOLERANCES		USED ON	
FRACTION ± 1/8	APPROVALS	DATE	
2 PL. DEC. ± .01	DRAWN CC	04/18/13	
3 PL. DEC. ± .005	CHECKED BA	04/18/13	
MATERIAL	APPROVED BA	04/18/13	
FINISH			
DO NOT SCALE			

ENDICOTT RESEARCH GROUP, INC.
 2601 WAYNE ST., ENDICOTT, NY 13760 607-754-9187

TITLE: WIRING HARNESS
 P/M: H18606152F
 DRAWING NUMBER: H18606152F
 SCALE: 1 OF 1
 REV: 0