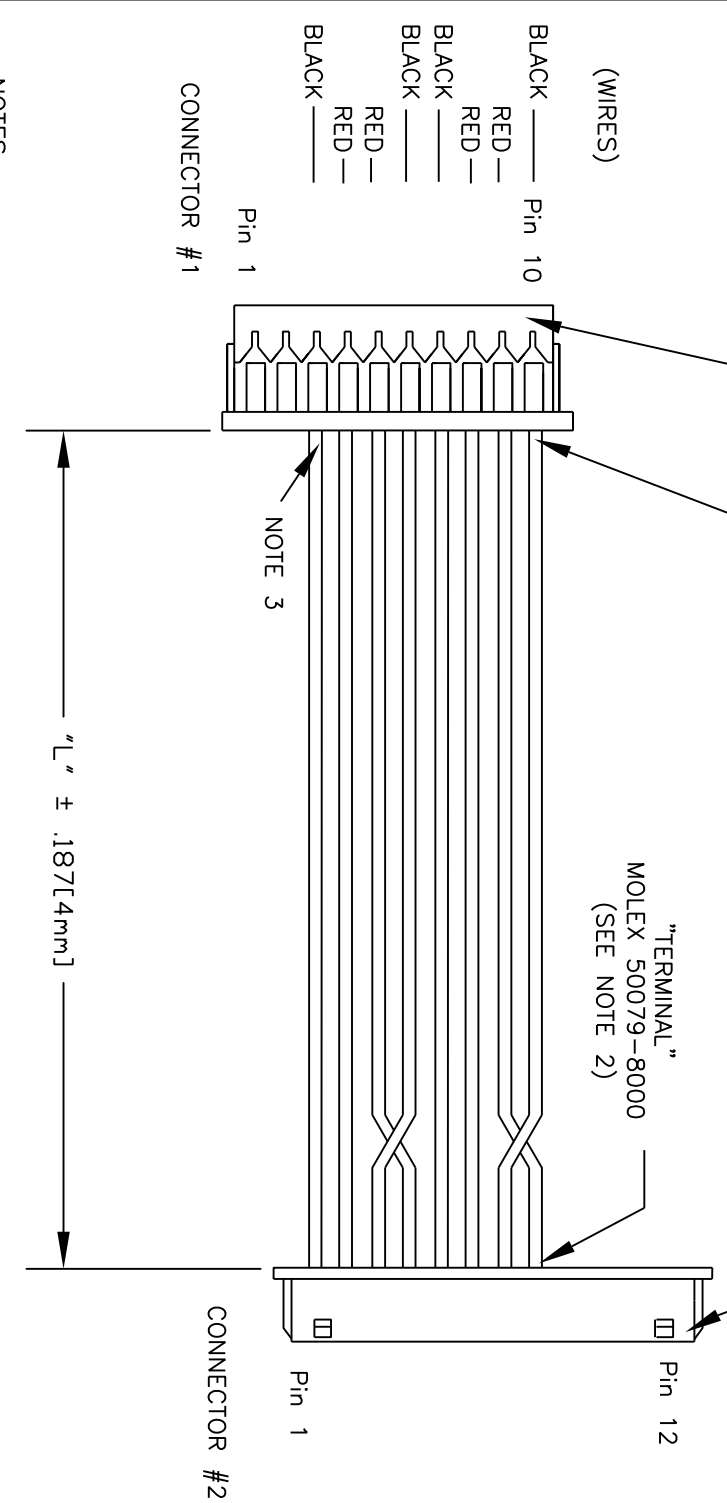


REVISIONS				
ZONE	REV.	DESCRIPTION	DATE	APPROVED
0		RELEASED	09/20/10	cc

H15008xxx	"L" (length)
051	2"
076	3"
102	4"
127	5"
152	6"
229	9"
304	12"



PIN OUTS	
Conn #1	Conn #2
-	Pin 12
-	Pin 11
-	Pin 10
-	Pin 9
Pin 10	Pin 7
Pin 9	Pin 8
Pin 8	Pin 6
Pin 7	Pin 5
Pin 6	Pin 3
Pin 5	Pin 4
Pin 4	Pin 2
Pin 3	Pin 1
Pin 2	-
Pin 1	-

- NOTES:
1. ALL WIRING MUST HAVE A FLAMIBILITY RATING EQUIVALENT TO UL-94V1 AND AN APPROPRIATE UL STYLE NUMBER.
 2. CABLE INSULATION TO BE CAPTIVATED BY CRIMP TERMINAL, PER IPC/WHMA-A-620.
 3. WIRES TO BE 28 AWG, IN COLORS LISTED.

MATERIAL	DO NOT SCALE
FINISH	
APPROVALS	DATE
CC	11/24/08
CC	11/24/08
CC	11/24/08
CC	11/24/08
2601 WAYNE ST., ENDICOTT, NY 13760 607-754-9187	
WIRING HARNESS	
H15008	
SCALE	REV.
C	0
DRAWING NUMBER	SHEET
H15008	1 OF 1