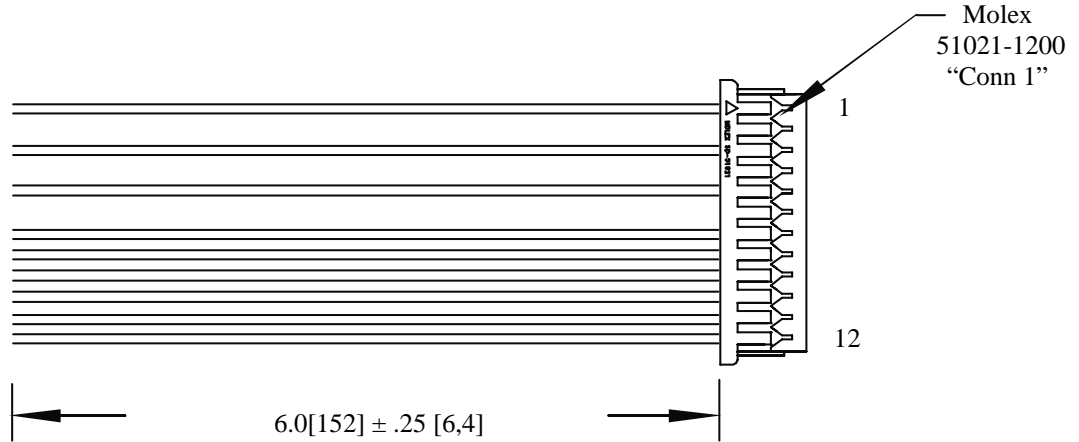


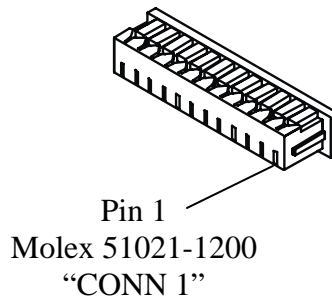


Endicott Research Group, Inc.
 2601 Wayne St., Endicott, NY 13760
 607-754-9187 Fax 607-754-9255
<http://www.ergpower.com>

H13609152



Pin Assignments	
Conn1	
Pin 1	
Pin 2	N/A
Pin 3	
Pin 4	N/A
Pin 5	
Pin 6	N/A
Pin 7	
Pin 8	
Pin 9	
Pin 10	
Pin 11	
Pin 12	



Connectors shown for reference only. Actual product may differ from that shown

#26 AWG Wire, MIL STD W16878

PROPRIETARY
 This document contains confidential and Proprietary information that is the property of Endicott Research Group, Inc. (ERG) that may not be disclosed to or duplicated for others except as Authorized by ERG.