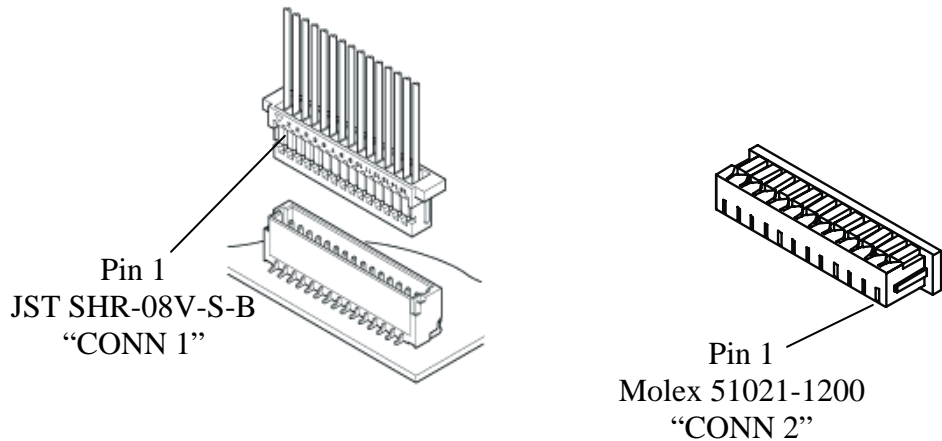
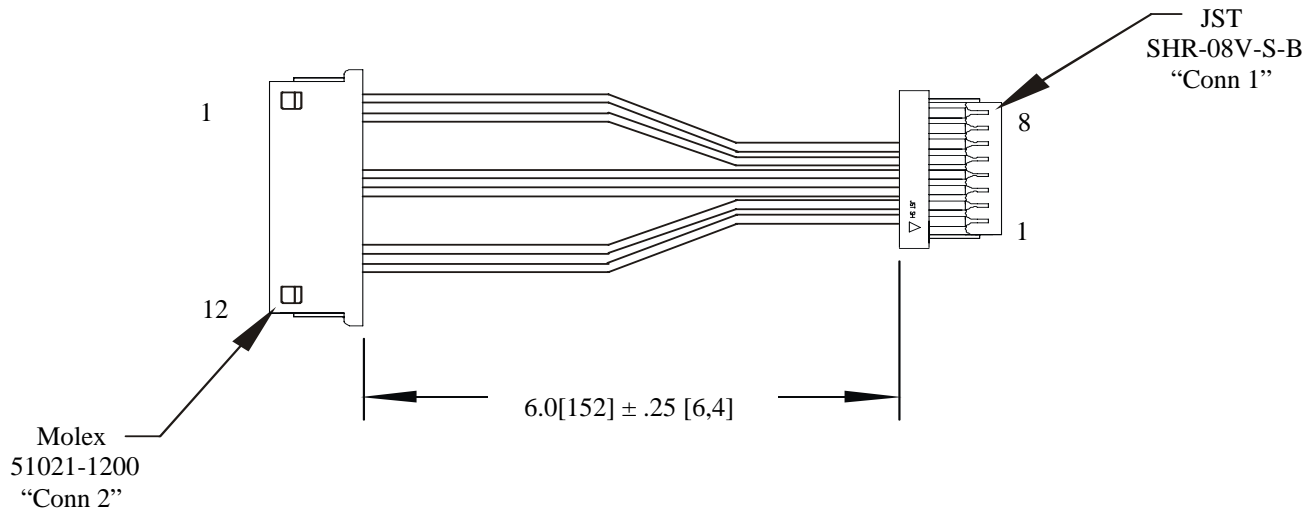




Endicott Research Group, Inc.  
 2601 Wayne St., Endicott, NY 13760  
 607-754-9187 Fax 607-754-9255  
<http://www.ergpower.com>

# H12606152



Connectors shown for reference only. Actual product may differ from that shown

<b>Pin Assignments</b>	
Conn2	Conn1
Pin 1	Pin 6
Pin 2	Pin 5
Pin 3	NC
Pin 4	NC
Pin 5	Pin 4
Pin 6	Pin 3
Pin 7	NC
Pin 8	NC
Pin 9	Pin 2
Pin 10	Pin 1
Pin 11	NC
Pin 12	NC

#28 AWG Wire, MIL STD W16878

**PROPRIETARY**  
 This document contains confidential and Proprietary information that is the property of Endicott Research Group, Inc. (ERG) that may not be disclosed to or duplicated for others except as Authorized by ERG.