



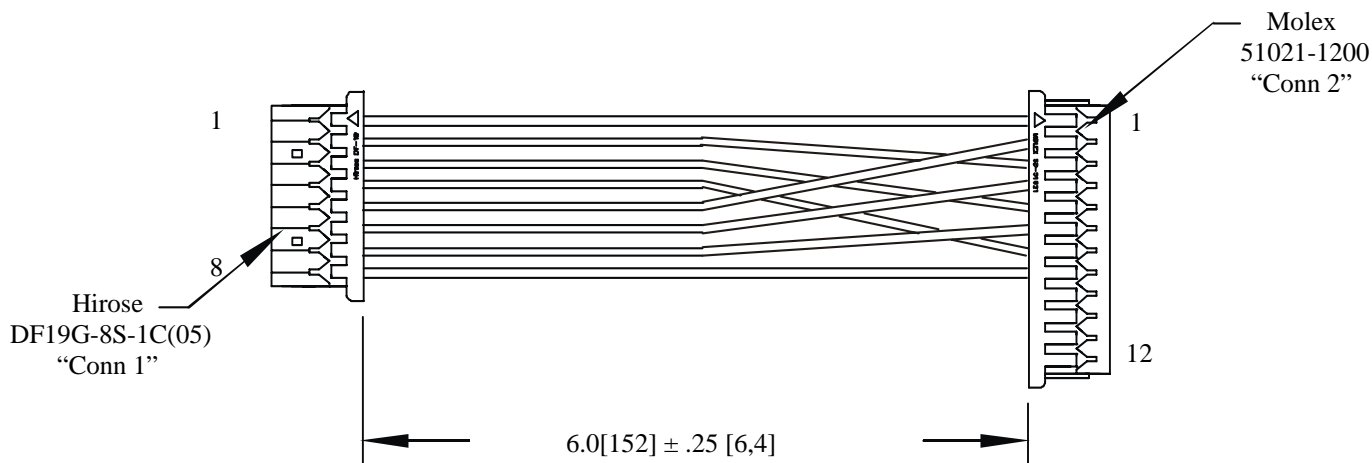
Endicott Research Group, Inc.

2601 Wayne St., Endicott, NY 13760

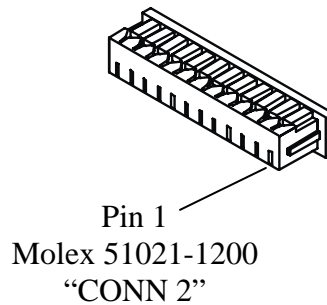
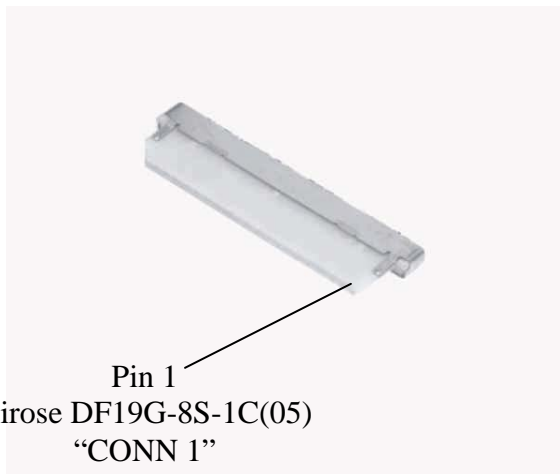
607-754-9187 Fax 607-754-9255

http://www.ergpower.com

H12308152



Pin Assignments	
Conn2	Conn1
Pin 1	Pin 1
Pin 2	Pin 5
Pin 3	Pin 2
Pin 4	Pin 6
Pin 5	Pin 3
Pin 6	Pin 7
Pin 7	Pin 4
Pin 8	Pin 8
Pin 9	NC
Pin 10	NC
Pin 11	NC
Pin 12	NC



Connectors shown for reference only. Actual product may differ from that shown

#28 AWG Wire, MIL STD W16878

PROPRIETARY

This document contains confidential and Proprietary information that is the property of Endicott Research Group, Inc. (ERG) that may not be disclosed to or duplicated for others except as Authorized by ERG.