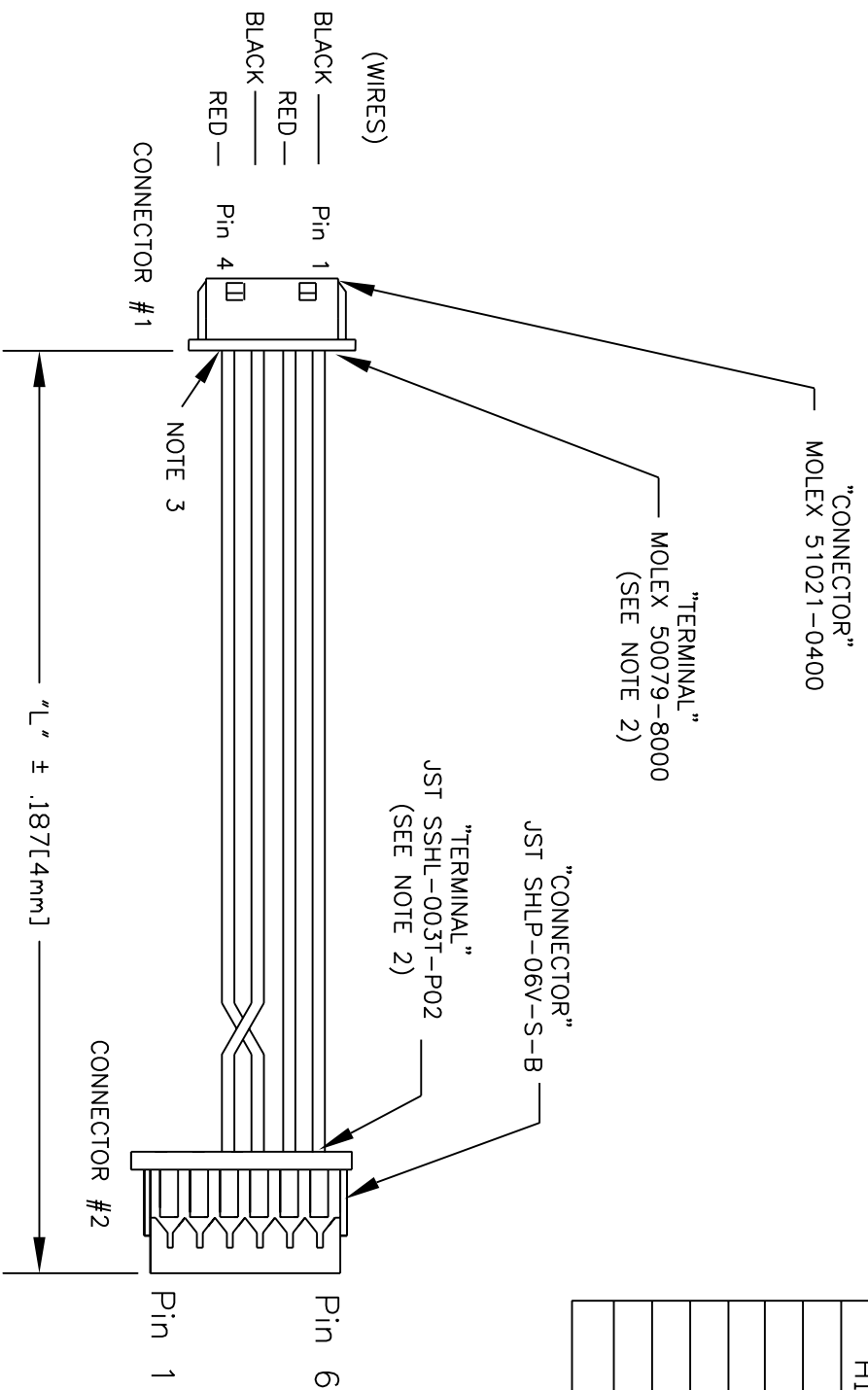


| REVISIONS | | | | |
|-----------|------|-------------|----------|----------|
| ZONE | REV. | DESCRIPTION | DATE | APPROVED |
| 0 | | RELEASED | 11/24/08 | cc |

| H12104xxx | "L" (length) |
|-----------|--------------|
| 051 | 2" |
| 076 | 3" |
| 102 | 4" |
| 127 | 5" |
| 152 | 6" |
| 229 | 9" |
| 304 | 12" |

| PIN OUTS | | | |
|----------|---------|--|--|
| Conn #1 | Conn #2 | | |
| Pin 1 | Pin 6 | | |
| Pin 2 | Pin 5 | | |
| Pin 3 | Pin 3 | | |
| Pin 4 | Pin 4 | | |
| - | Pin 2 | | |
| - | Pin 1 | | |



- NOTES:
1. ALL WIRING MUST HAVE A FLAMIBILITY RATING EQUIVALENT TO UL-94V1 AND AN APPROPRIATE UL STYLE NUMBER.
 2. CABLE INSULATION TO BE CAPTIVATED BY CRIMP TERMINAL, PER IPC/WHMA-A-620.
 3. WIRES TO BE 28 AWG, IN COLORS LISTED.

| | | | | | | | | | |
|--------------|--|----------|--|-----------|--|----------|--|---|--|
| MATERIAL | | DRAWN | | APPROVALS | | DATE | | ENDICOTT RESEARCH GROUP, INC. 2601 WAYNE ST., ENDICOTT, NY 13760 607-754-9187 | |
| FINISH | | CHECKED | | CC | | 11/24/08 | | WIRING HARNESS H12104 | |
| DO NOT SCALE | | APPROVED | | CC | | 11/24/08 | | C DRAWING NUMBER H12104 SCALE SHEET 1 OF 1 | |
| | | | | | | | | REV 0 | |