

The D8mAD60J3 is a generic dc to ac inverter designed to generate 6 marms into a 500 - 700 volt load (CCFT) from a nominal 12 volt dc source. It can be easily dimmed using an external analog control signal.

FEATURES

- Low Profile
- Display compatible connector
- High efficiency

PHYSICAL SPECIFICATIONS

Size:	.79" x 3.93" x .32"
(without input connector)	(20,1mm x 99,8mm x 8mm)
Weight:	15 grams
Operating Temperature:	0° to +70°C
Storage Temperature:	-40° to +80°C
Humidity:	95% RH Max

Characteristics	Value	Units	Note(s)
Input Voltage	+10.8 - 12.6	Volts dc	
Input Current	.71 typ	Adc	$R_L = 100 \text{ Kohms}$
Minimum No Load Output Voltage	1500	Vrms	$V_{in} = 12.00 \text{ Vdc}$
Frequency	42typ	Khz	$V_{in} = 12.00 \text{ Vdc}$
Output Current	6.0	marms	$R_L = 100 \text{ Kohms}$
Efficiency	86	%	Typical

The maximum input current (which indicates an overload condition) is 1.0 Adc maximum

Inverters specifically designed to match most popular LCD modules are also available. Contact your authorized distributor or ERG direct.

Endicott Research Group, Inc.

2601 Wayne St., Endicott, NY 13760

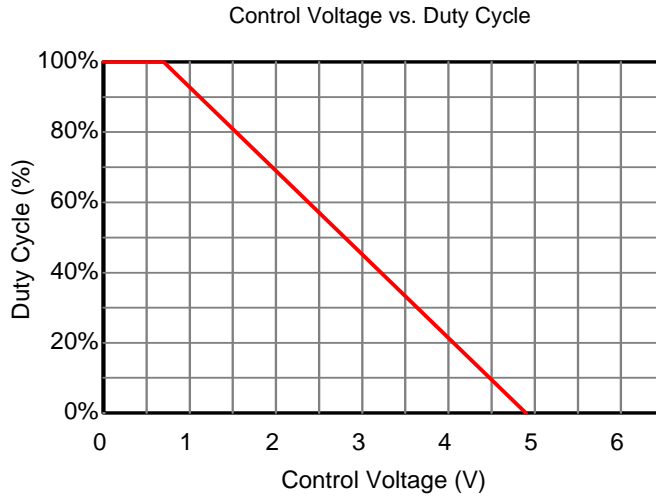
607-754-9187 Fax 607-754-9255

<http://www.ergpower.com>

Connection and Application Information

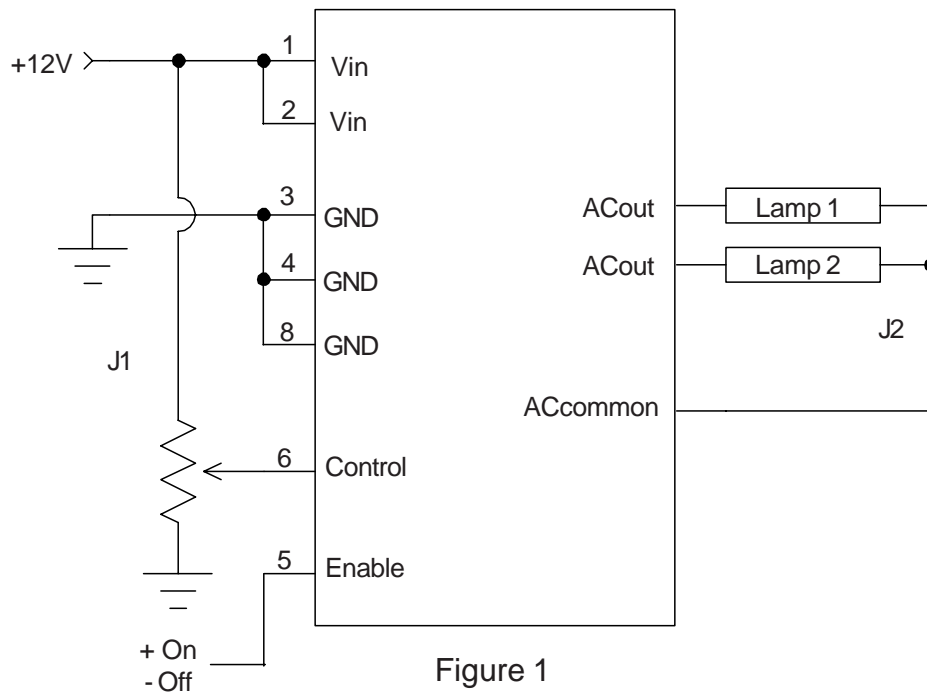
12 Volt Input Dc to Ac Inverter

D8mAD60J3



Graph 1

Typical Application



Endicott Research Group, Inc.

2601 Wayne St., Endicott, NY 13760
607-754-9187 Fax 607-754-9255
<http://www.ergpower.com>



Specifications are subject to change without notice.

04/29/04

D Series

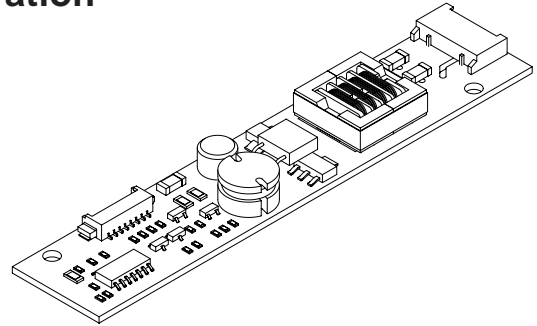
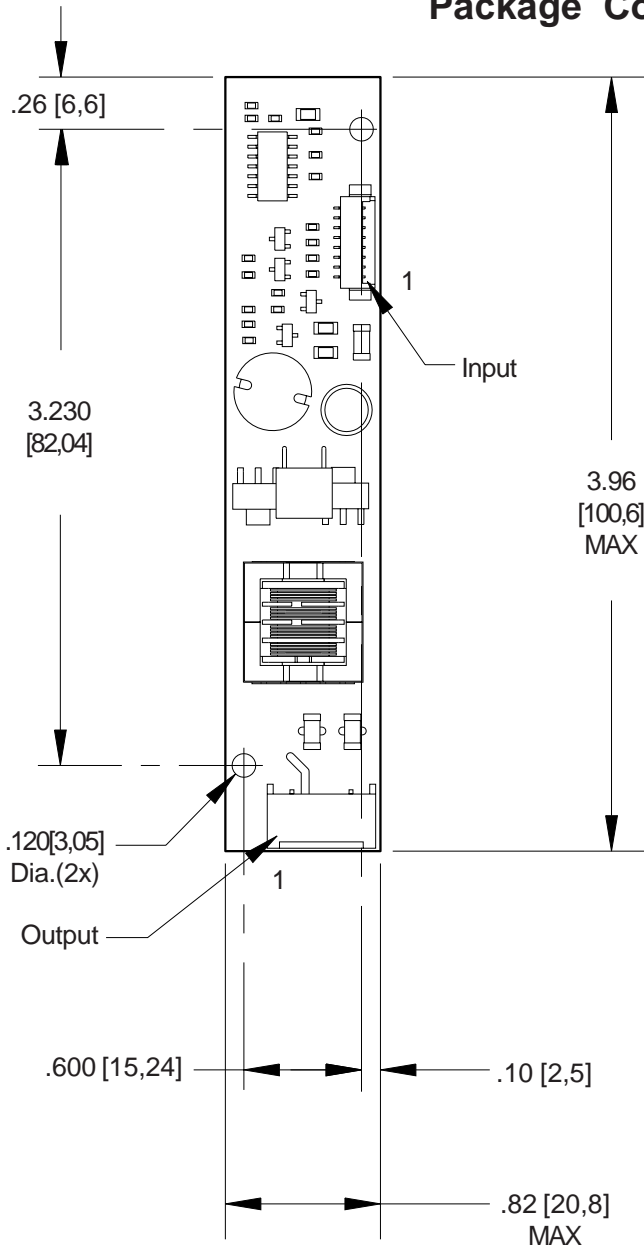
D Series



12 Volt Input Dc to Ac Inverter

D8mAD60J3

Package Configuration



Input Connector: Molex 53261-0890
 Output Connector: JST SM03(4.0)B-BHS-1-TB or YEONHO 20015WR-05A01

Pin Descriptions

Pin Descriptions	
J1-1 Vin	J2-1 ACcom
J1-2 Vin	J2-2 ACout
J1-3 GND	J2-3 ACout
J1-4 GND	
J1-5 Enable	
J1-6 Control	
J1-7 N/C	
J1-8 GND	