

The D8mAD50J4 is a generic dc to ac inverter designed to generate 5 mArms into a 350 - 450 volt load (CCFL) from a nominal 12 volt dc source. It can be easily dimmed using an external analog control signal.

FEATURES

- Low Profile
- Display compatible connector
- High efficiency

PHYSICAL SPECIFICATIONS

Size:	.79" x 3.93" x .32"
(without input connector)	(20,1mm x 99,8mm x 8mm)
Weight:	15 grams
Component Surface Temperature:	-20° to +80°C
Storage Temperature:	-40° to +80°C
Humidity:	95% RH Max

Characteristics	Value	Units	Note(s)
Input Voltage Range	+10.8 - 12.6	Vdc	
Input Current	.40 typ	Adc	$R_L = 74 \text{ kOhms}$
Minimum No Load Output Voltage	1500	Vrms	$V_{in} = 12.00 \text{ Vdc}$
Frequency	46 typ	kHz	$V_{in} = 12.00 \text{ Vdc}$
Output Current (per lamp)	5.0	mArms	$R_L = 74 \text{ kOhms}$
Efficiency	77	%	Typical

The maximum input current (which indicates an overload condition) is 1.0 Adc maximum. $V_{out} = 370 \text{ Vrms}$ used to calculate efficiency.

Inverters specifically designed to match most popular LCD modules are also available. Contact your authorized distributor or ERG direct.

Endicott Research Group, Inc.

2601 Wayne St., Endicott, NY 13760

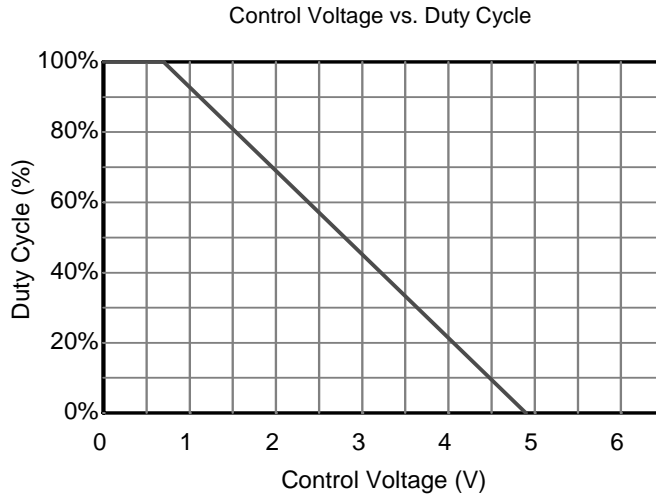
607-754-9187 Fax 607-754-9255

<http://www.ergpower.com>

Connection and Application Information

12 Volt Input Dc to Ac Inverter

D8mAD50J4



Graph 1

Typical Application

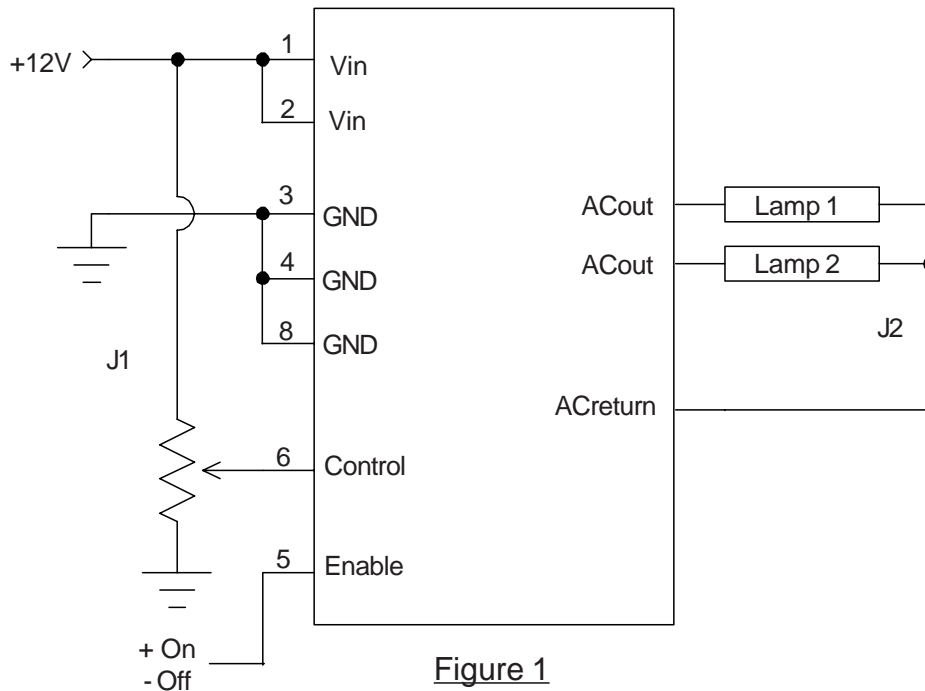


Figure 1



Endicott Research Group, Inc.

2601 Wayne St., Endicott, NY 13760
607-754-9187 Fax 607-754-9255
<http://www.ergpower.com>

Specifications are subject to change without notice.

06/11/07

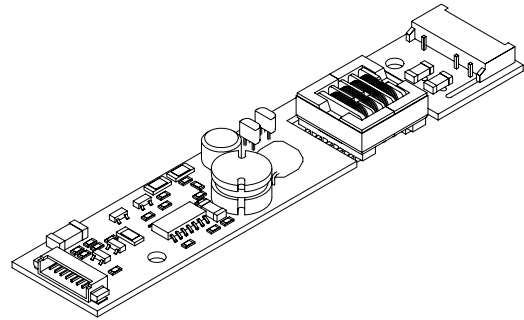
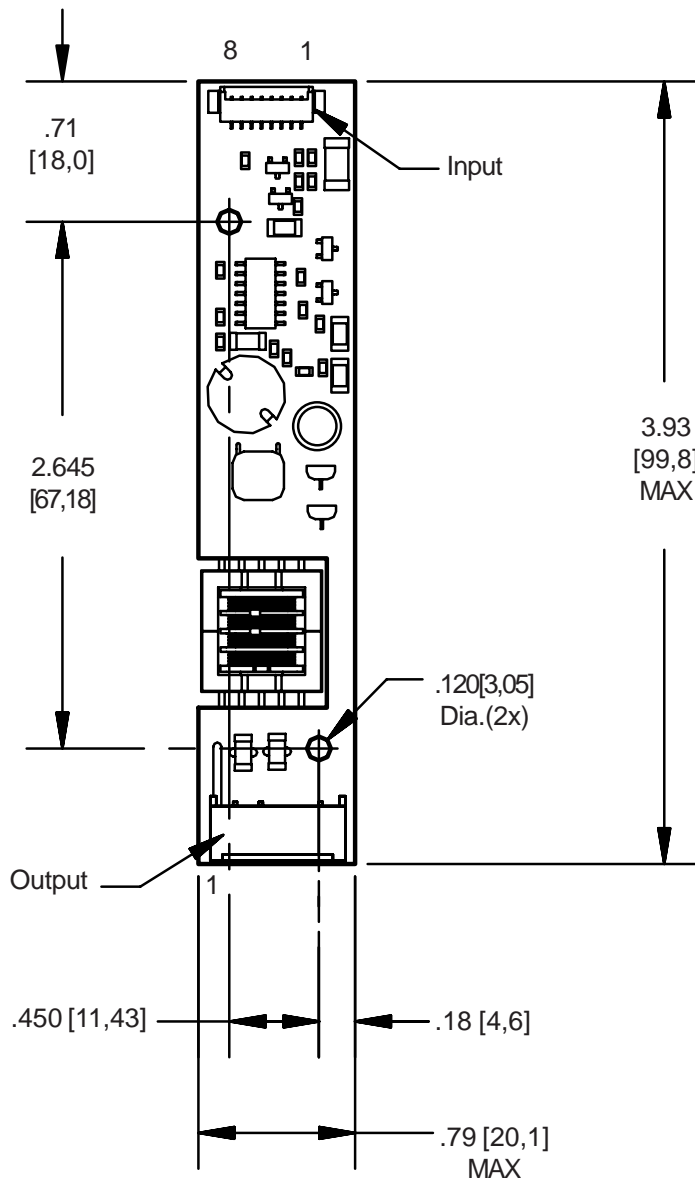
D Series

D Series



12 Volt Input Dc to Ac Inverter

D8mAD50J4



Input Connector: Molex 53261-0871
 Output Connector: JST SM04(4.0)B-BHS-1-TB or YEON HO 20015WR-07A00

Pin Designation	
J1-1 Vin	J2-1 ACout
J1-2 Vin	J2-2 ACout
J1-3 GND	J2-2 N/C
J1-4 GND	J2-2 ACreturn
J1-5 Enable	
J1-6 Control	
J1-7 N/C	
J1-8 GND	