

D Series



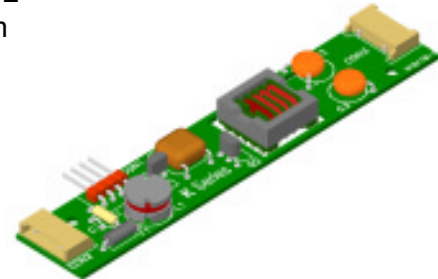
12 Volt Input Dc to Ac Inverter

D12K60J

The D12K60J is a generic dc to ac inverter designed to power 2 CCFT loads generating 6 marms into a 400-600 volt load, from a nominal 12 volt dc source.

FEATURES

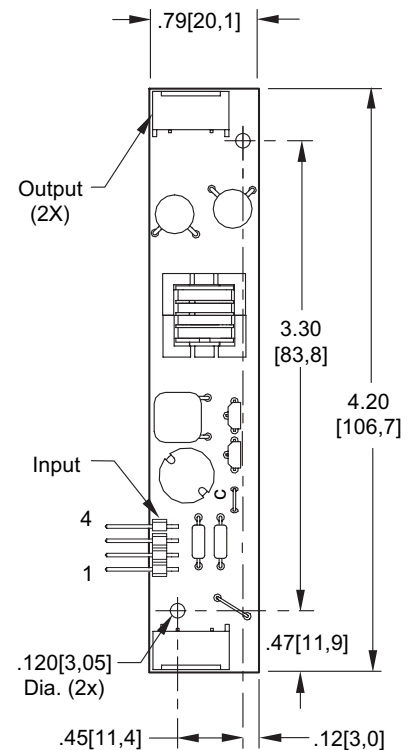
- Low Profile
- Display compatible connector
- High efficiency



PHYSICAL SPECIFICATIONS

Size:	.79" x 4.20" x .32"
(without input connector)	(20,1mm x 106,7mm x 8mm)
Weight:	30 grams
Operating Temperature:	0° to +70°C
Storage Temperature:	-20° to +85°C
Humidity:	95% RH Max

Characteristics	Value	Units	Note(s)
Input Voltage	10.8 - 13.2	Volts dc	
Input Current	.6 typ	Adc	$R_L = 83 \text{ Kohms}$
Minimum No Load Output Voltage	1250	Vrms	$V_{in} = 12.00 \text{ Vdc}$
Frequency	55 typ	Khz	$V_{in} = 12.00 \text{ Vdc}$
Output Current	6.0	marms	$R_L = 83 \text{ Kohms}$
Efficiency	83	%	Typical
The maximum input current (which indicates an overload condition) is 1.0 Adc maximum			



Inverters specifically designed to match most popular LCD modules are also available. Contact your authorized distributor or ERG direct.

Input Connector

4 pins are 0.315" [8,00] Long, 0.025" [0,63] Square and are on 0.100" [2,54] Centers.

Output Connectors

JST
SM02(8.0)B-BHS-1-TB

J1-1 Vin(+)	J2-1 ACout	J3-1 ACout
J1-2 GND	J2-2 NC	J3-2 NC
J1-3 Control *	J2-3 ACout	J3-3 ACout
J1-4 NC		

* Valid when the "C" Jumper is removed

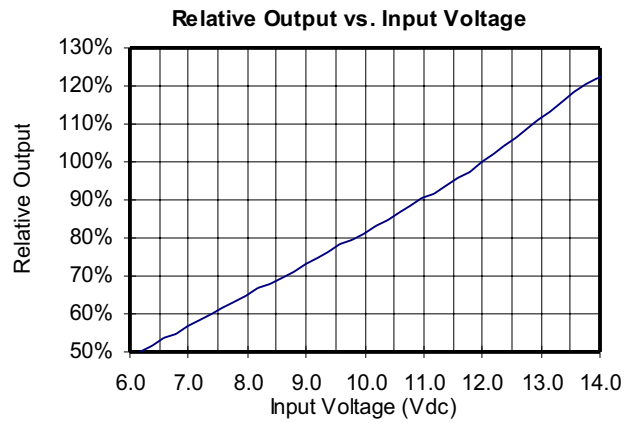
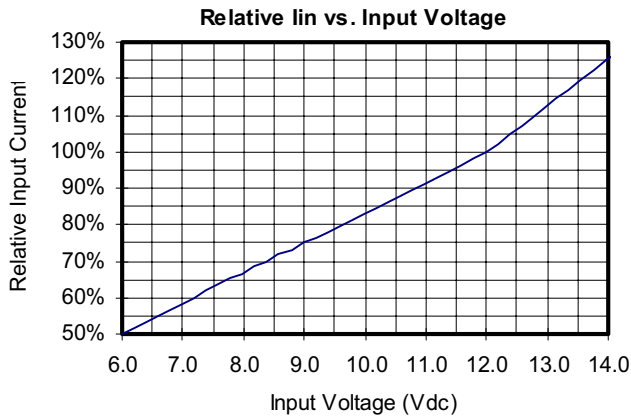
Endicott Research Group, Inc.

2601 Wayne Street Endicott, New York 13760
607-754-9187 fax 607-754-9255
<http://www.ergpower.com>

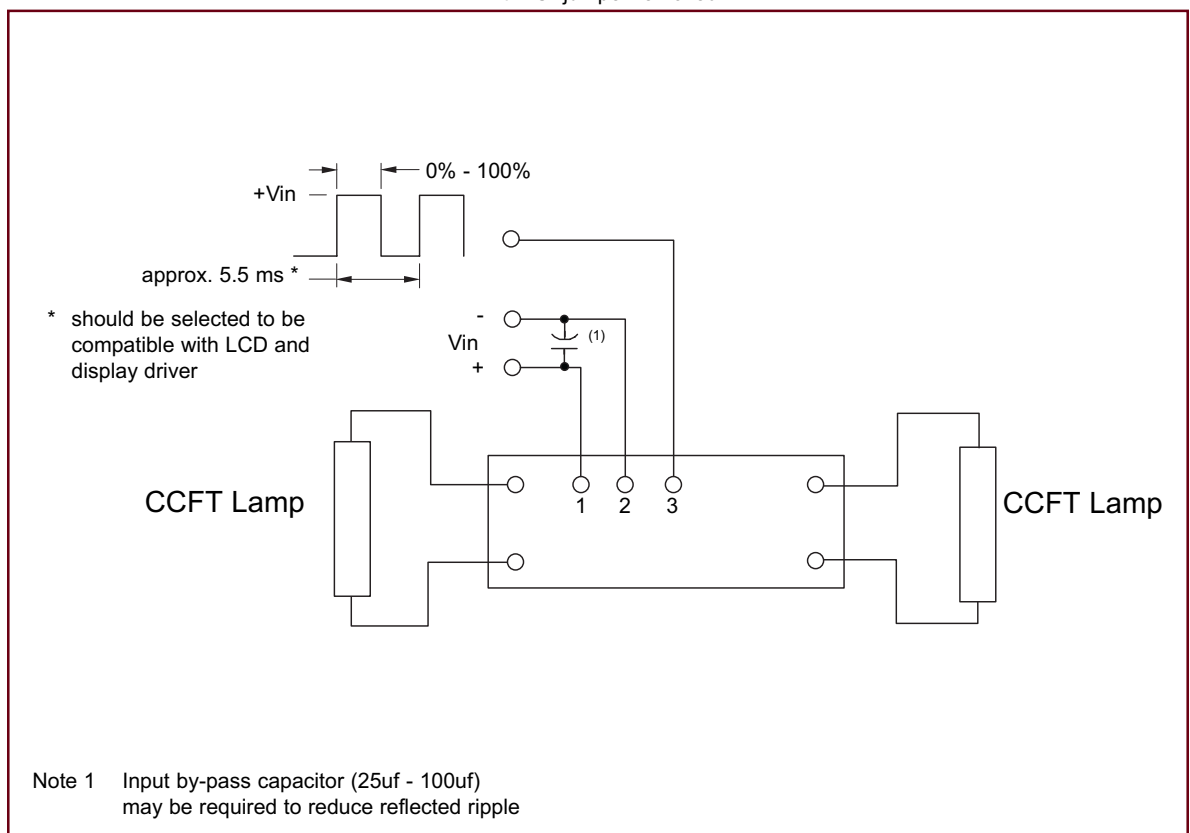
Connection and Application Information

12 Volt Input Dc to Ac Inverter

D12K60J



Dimming Option
With "C" jumper removed



Endicott Research
Group, Inc.

Specifications are subject to change without notice.

12/01/99

D Series