

# D Series



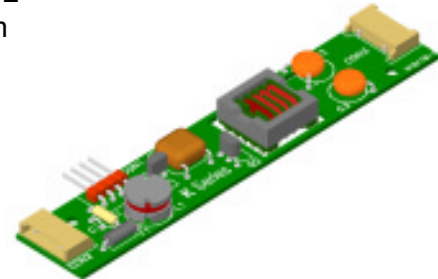
## 12 Volt Input Dc to Ac Inverter

## D12K50J

The D12K50J is a generic dc to ac inverter designed to power 2 CCFT loads generating 5 marms into a 400-600 volt load, from a nominal 12 volt dc source.

### FEATURES

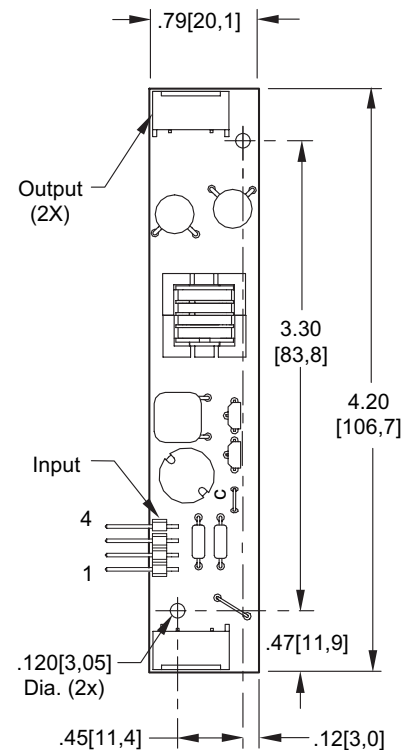
- Low Profile
- Display compatible connector
- High efficiency



### PHYSICAL SPECIFICATIONS

- Size: .79" x 4.20" x .32"  
(without input connector) (20,1mm x 106,7mm x 8mm)
- Weight: 30 grams
- Operating Temperature: 0° to +70°C
- Storage Temperature: -20° to +85°C
- Humidity: 95% RH Max

Characteristics	Value	Units	Note(s)
Input Voltage	10.8 - 13.2	Volts dc	
Input Current	.55 typ	Adc	$R_L = 100 \text{ Kohms}$
Minimum No Load Output Voltage	1500	Vrms	$V_{in} = 12.00 \text{ Vdc}$
Frequency	39 typ	Khz	$V_{in} = 12.00 \text{ Vdc}$
Output Current	5.0	marms	$R_L = 100 \text{ Kohms}$
Efficiency	76	%	Typical
The maximum input current (which indicates an overload condition) is .63 Adc maximum			



Inverters specifically designed to match most popular LCD modules are also available. Contact your authorized distributor or ERG direct.

#### Input Connector

4 pins are 0.315" [8,00] Long, 0.025" [0,63] Square and are on 0.100" [2,54] Centers.

#### Output Connectors

JST  
SM02(8.0)B-BHS-1-TB

J1-1 Vin(+)	J2-1 ACout	J3-1 ACout
J1-2 GND	J2-2 NC	J3-2 NC
J1-3 Control *	J2-3 NC	J3-3 NC
J1-4 NC	J2-4 ACout	J3-4 ACout

\* Valid when the "C" Jumper is removed

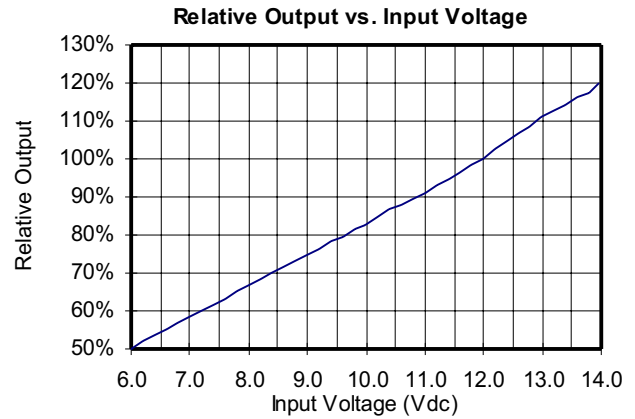
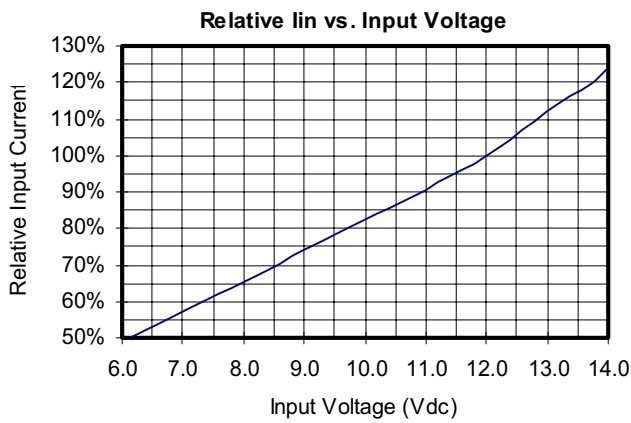
**Endicott Research Group, Inc.**

2601 Wayne Street Endicott, New York 13760  
607-754-9187 fax 607-754-9255  
<http://www.ergpower.com>

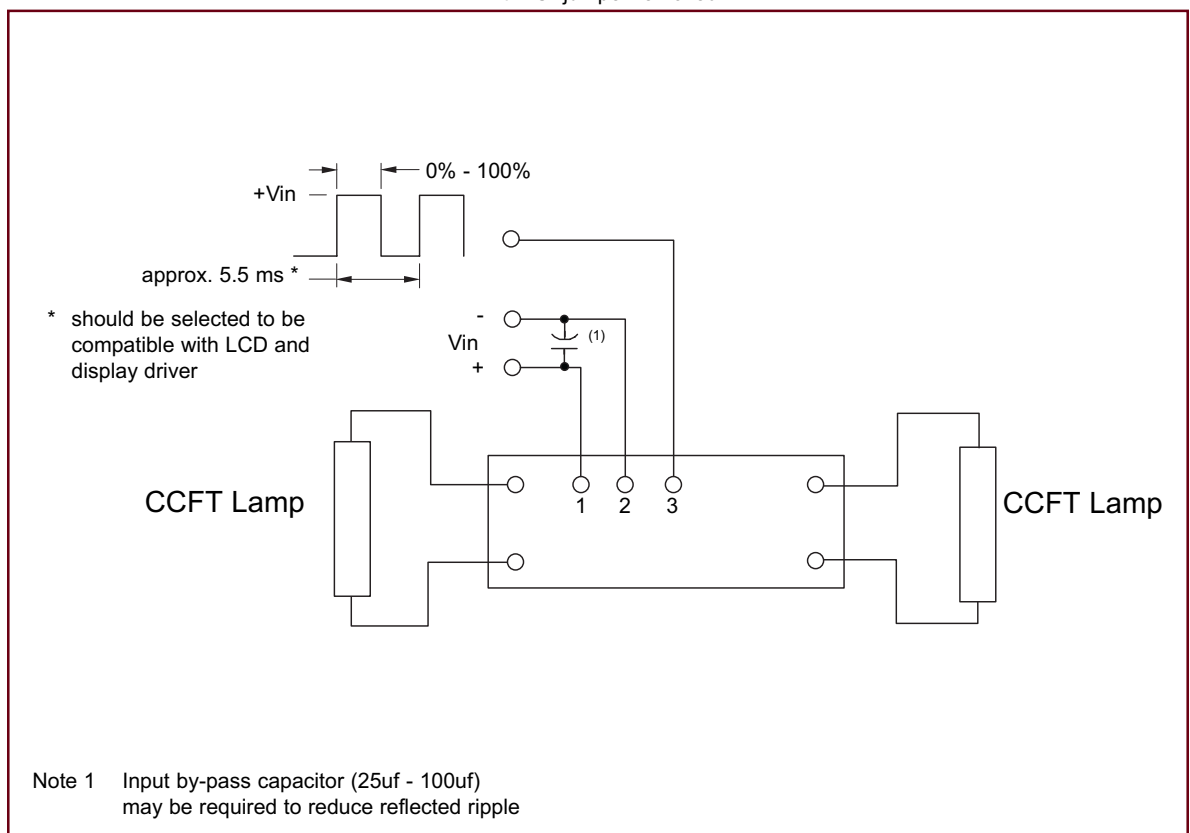
# Connection and Application Information

12 Volt Input Dc to Ac Inverter

D12K50J



## Dimming Option With "C" jumper removed



Endicott Research  
Group, Inc.

Specifications are subject to change without notice.

12/29/00

**D Series**